

Please fill out all the information and send back this guide to us for quotation.

Hook Styles:



Flat



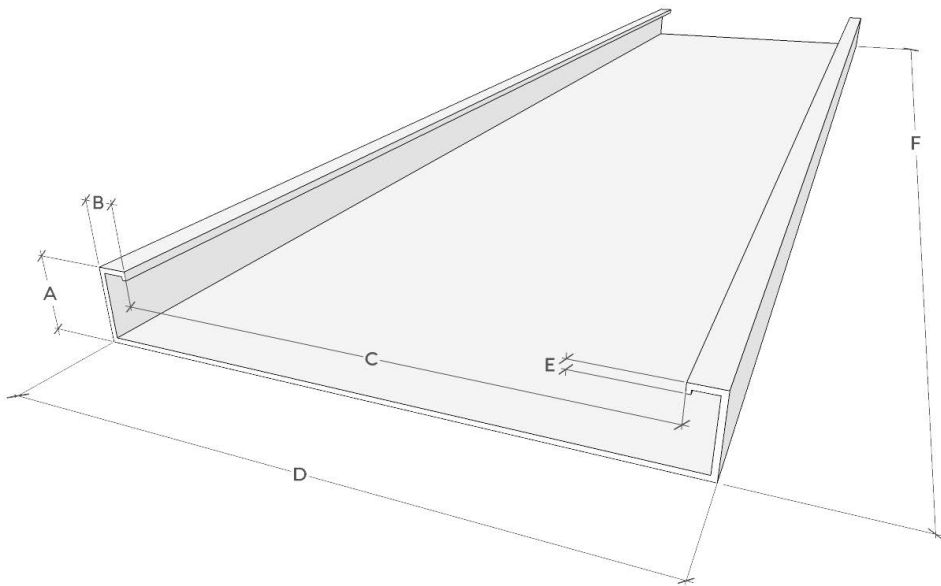
Down Hook



No Hook



Special Shapes



HOOK STYLE:

Down Hook

Flat

No Hook

Special Shapes

DIMENSIONS:

A: _____

B: _____

C: _____
Hook to Hook

D: _____

E: _____
Down Hook

F: _____

TEXTURE:

COLOR:

Clear

White

END CAPS:

Yes Size: _____

No