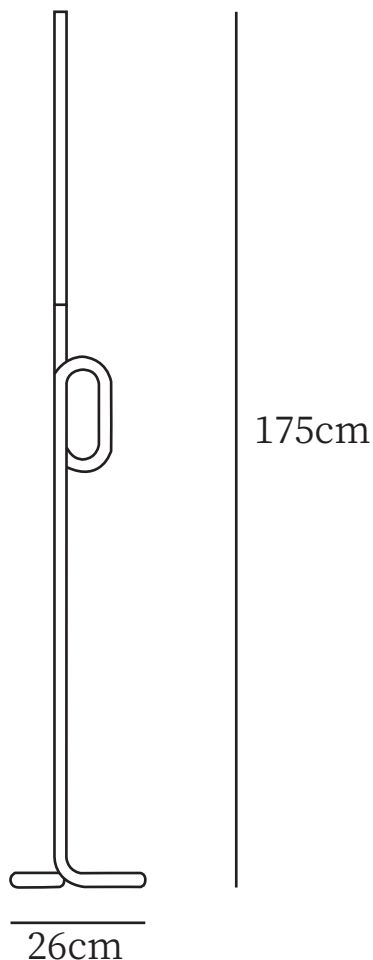


## Tobia Floor Lamp

The lightness of a sign that outlines a body and a form to narrate a function. Tobia is an example of how simplicity can have character: slender, compact, easy to move, Tobia is a portable luminator that projects powerful light upward. minous sign through space.



Product  
Tobia Floor Lamp

Dimensions  
Dia 26cm x H175 cm  
Ø 10.2" x H 68.8"

Weight  
4Kg (8.8)

Certifications  
UL, cUL(120V)  
CE, CB(240V)

Materials  
Metal

Finishes  
White, Black

Shadow Color  
White, Black

Suspension  
Provide 250cm / 98.4", with switch  
plug wire.

Voltage  
AC 110-240V

Bulb Lifetime: 30000 Hours est.

Light source  
Integrated LED

Light source base type: LED

Bulb: LED

Wattage: ~10 Watts

Lumens: 4000 Lumens est.

Color Temperature: 3000K

Optional Color Temps:  
Include Warm White (3000K), Cool White (6000K),  
Daylight (4000K)

CRI: 80+

Dimming  
Dimming is not supported

Factory  
2104, Building 5, Hailun Bay, Jianghai District,  
Jiangmen City, GD Province, CN

Office  
5900 Balcones Drive, STE 100  
Austin TX 78731