

SILICONE HOSE FUEL & OIL FLUORO 90 DEGREE

SKU / PART NUMBER: FSL090B

Application: Radiator / Air / Water / Fuel / Oil Hose

Reinforcement: Polyester / VMQ Silicone Rubber / Fluoro Liner

Temperature Rated: -60°C to +180°C

Standard: SAEJ30R6

Leg Lengths: 150mm Per Leg

Colour: Blue



Internal Diameter	Outside Diameter	No. Of Plys	Working Pressure	Bursting Pressure	Bend Radius
6.5mm	15.5mm	3	12.33 Bar	37.00 Bar	16mm CLR
8mm	17mm	3	11.67 Bar	35.00 Bar	16mm CLR
9.5mm	18.5mm	3	11.67 Bar	35.00 Bar	16mm CLR
11mm	20mm	3	9.00 Bar	30.00 Bar	16mm CLR
13mm	22mm	3	8.33 Bar	27.00 Bar	16mm CLR
16mm	25mm	3	7.17 Bar	25.00 Bar	18mm CLR
19mm	28mm	3	6.50 Bar	19.50 Bar	18mm CLR
22mm	31mm	3	5.80 Bar	17.40 Bar	20mm CLR
25mm	34mm	3	5.5 Bar	16.50 Bar	30mm CLR
28mm	37mm	3	5.33 Bar	16.00 Bar	30mm CLR
30mm	39mm	3	5.33 Bar	16.00 Bar	30mm CLR
32mm	41mm	3	5.17 Bar	15.50 Bar	32mm CLR
35mm	44mm	3	5.00 Bar	15.00 Bar	35mm CLR
38mm	47mm	3	5.00 Bar	15.00 Bar	35mm CLR
40mm	49mm	3	4.83 Bar	14.50 Bar	35mm CLR
45mm	54mm	3	4.67 Bar	14.00 Bar	40mm CLR

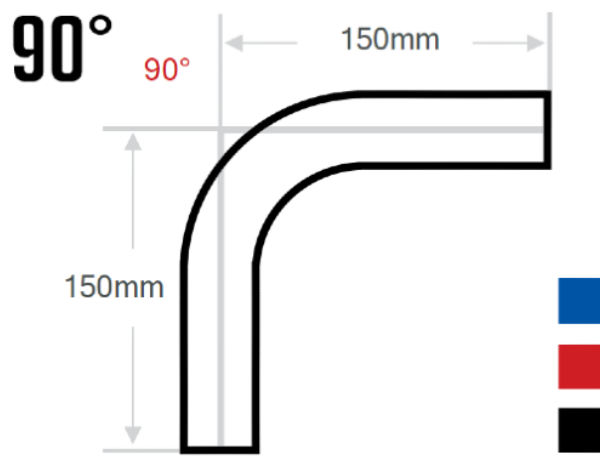
Tel : 01924 496111

Web: autosiliconehoses.com

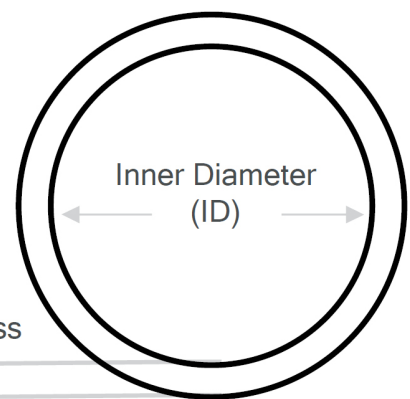
Email: web@autosiliconehoses.com

Google: [Find us on Google](#)

Internal Diameter	Outside Diameter	No. Of Plys	Working Pressure	Bursting Pressure	Bend Radius
48mm	57mm	3	4.50 Bar	13.50 Bar	45mm CLR
51mm	62mm	4	4.50 Bar	13.50 Bar	51mm CLR
54mm	65mm	4	4.33 Bar	13.00 Bar	60mm CLR
57mm	68mm	4	4.33 Bar	13.00 Bar	60mm CLR
60mm	71mm	4	4.17 Bar	12.50 Bar	60mm CLR
63mm	74mm	4	4.00 Bar	12.00 Bar	63mm CLR
65mm	76mm	4	3.83 Bar	11.50 Bar	65mm CLR
68mm	79mm	4	3.67 Bar	11.00 Bar	65mm CLR
70mm	81mm	4	3.50 Bar	10.50 Bar	65mm CLR
76mm	87mm	4	3.50 Bar	10.50 Bar	65mm CLR
80mm	91mm	4	3.33 Bar	10.00 Bar	70mm CLR
83mm	94mm	4	3.17 Bar	9.50 Bar	70mm CLR
90mm	101mm	4	3.00 Bar	9.00 Bar	70mm CLR
102mm	113mm	4	2.83 Bar	8.50 Bar	70mm CLR



ALL



- Tel : 01924 496111
- Web: autosiliconehoses.com
- Email: web@autosiliconehoses.com
- Google: [Find us on Google](#)