

# TPS192-5000 combi - 25184

Square container with lid and safety closure, transparent

## Product specifications

Material:	PP	Weight:	159,2 gr
Volume (nominal):	5000 ml	Length:	193,36 mm
		Width:	193,36 mm
		Height:	191,65 mm
		Diameter:	mm



\* Volume under lid depends upon the lid used. Values shown are applicable when standard lid is used.

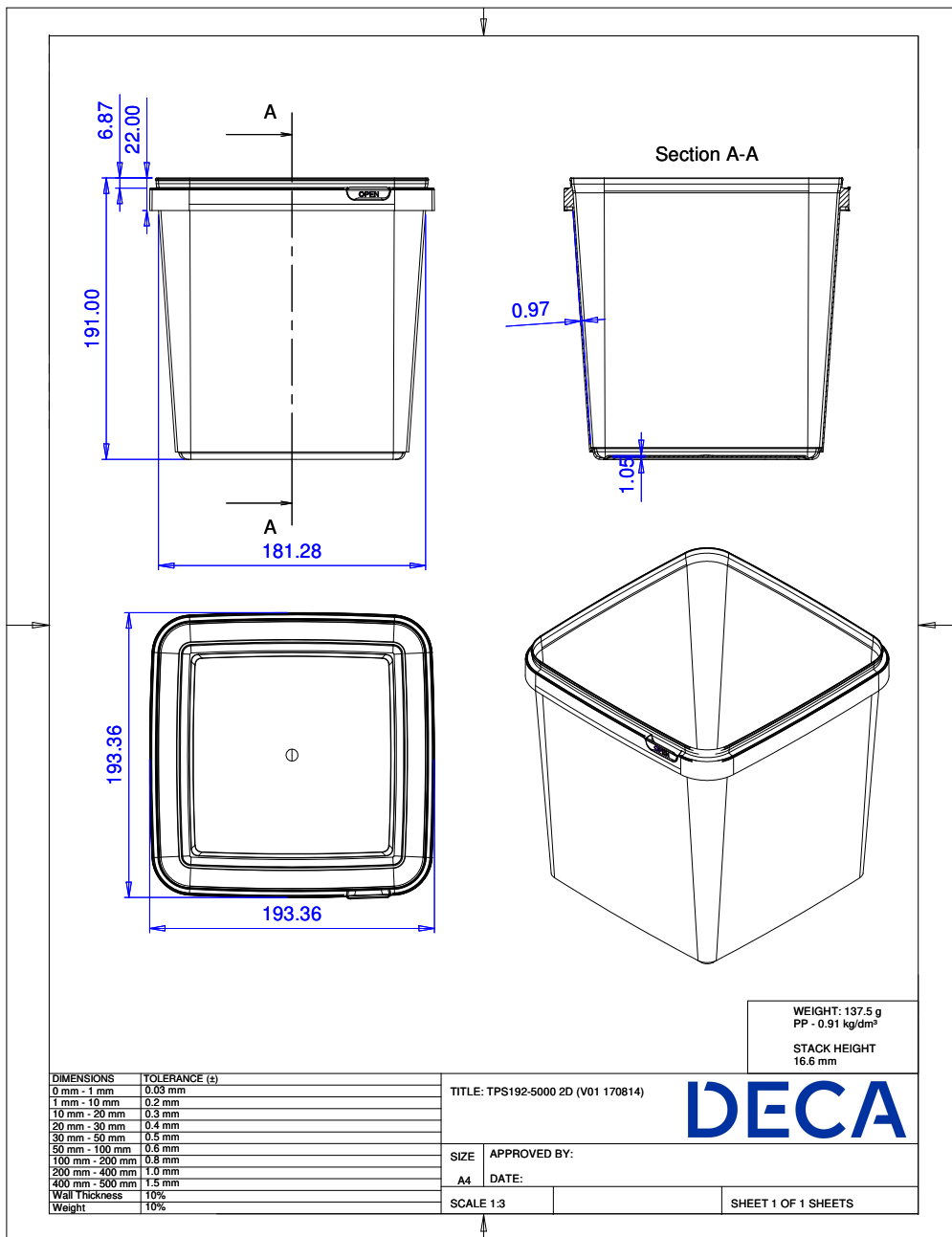
## Packaging

Primary:	# in primary packaging: 36 pieces
Secondary:	# primary in secondary packaging: 1 piece Weight gross: 6,65 kg
Tertiary:	# in tertiary packaging: 24 boxes = 864 pieces Weight gross: 179,648 kg Standard height: 0 mm

## Uses / Certificates

Storage conditions:	Keep out of direct sunlight, keep dry, store in original closed packaging, at ambient temperature, relative humidity between 40 and 70%.
Expiration:	We recommend to use the products within 1 year after purchase. We can not be held responsible for use after this period.
Document retention:	3 years after purchase

All our products adhere to Regulation (EC) 1935/2004 and Regulation (EU) 10/2011 incl. amendments.



All our products adhere to Regulation (EC) 1935/2004 and Regulation (EU) 10/2011 incl. amendments.