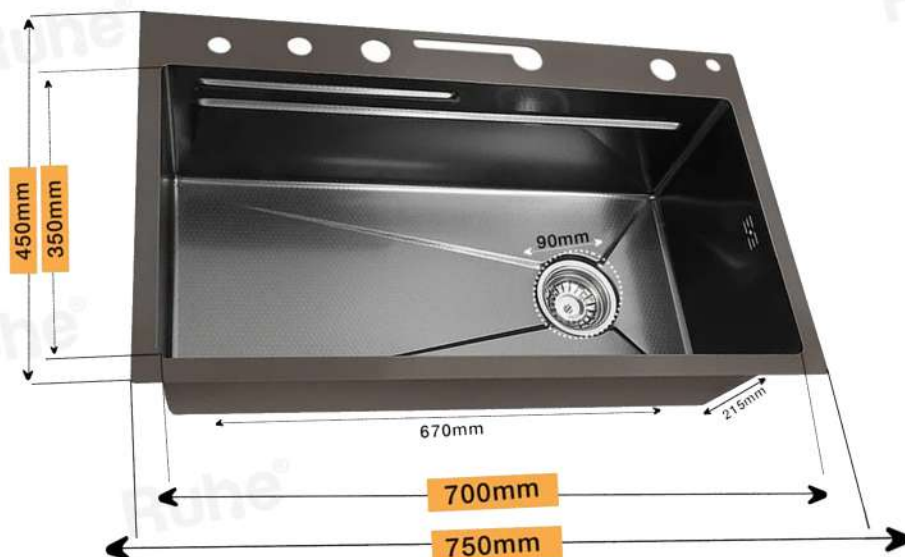


# PIANO WATERFALL KITCHEN SINK

## INSTALLATION MANUAL

### I. SPECIFICATIONS



#### **Material**

16 gauge Stainless Steel

#### **Installation Type**

Drop-in

#### **Bowl Type**

Handmade Single Bowl Sink

#### **Technology**

Waterfall Faucet  
Digital Display  
Nano Coating with Honeycomb Embossing

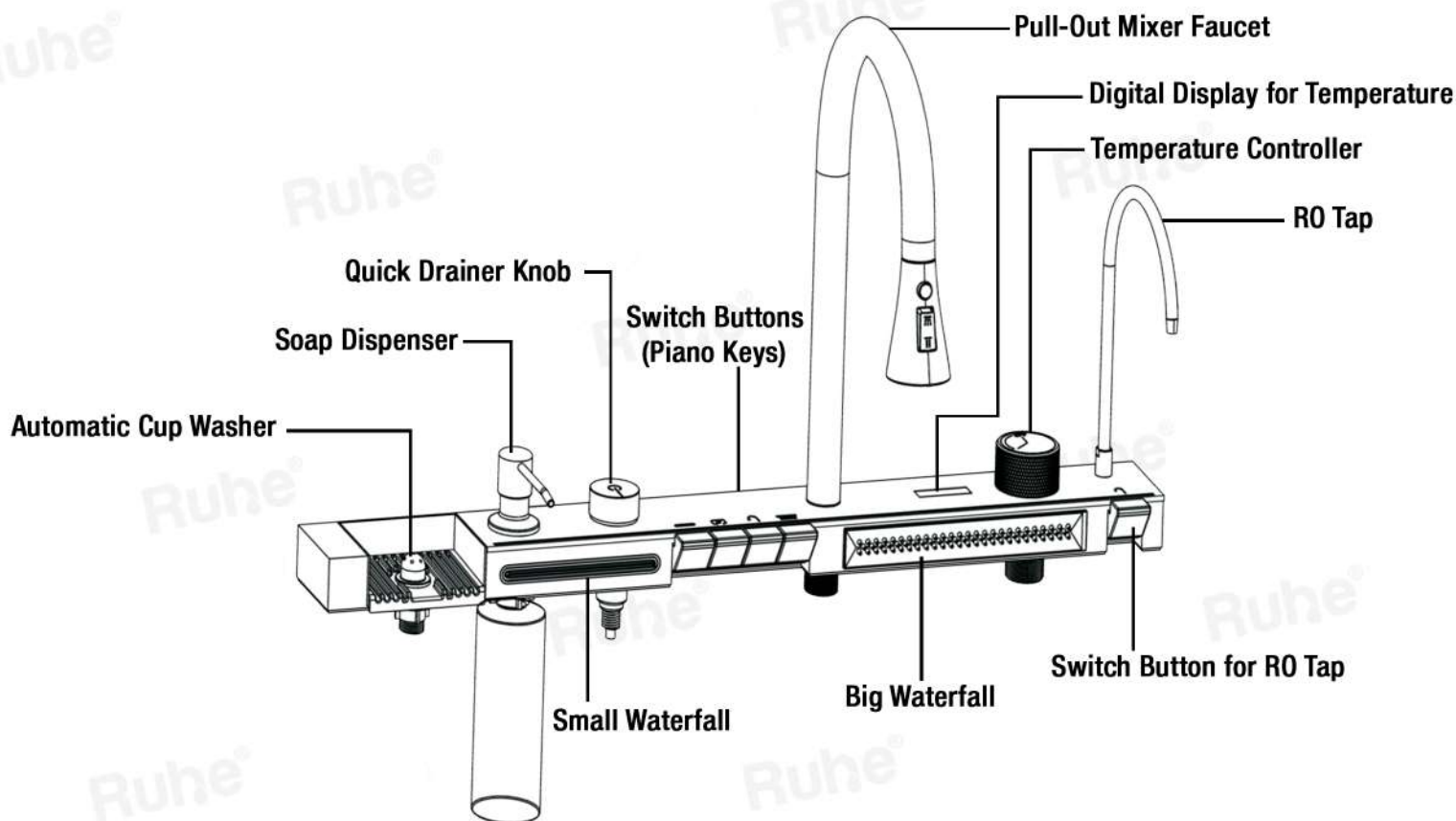
#### **Dimensions**

Overall Size: 30 x 18 x 9 Inches (750 x 450 x 215 mm)  
Bowl Size: 27.5 x 14 Inches (700 x 350 mm)

#### **Accessories Included**

Kitchen Sink Bowl  
Pull-Out Faucet  
Automatic Cup washer with Pipe  
RO Tap  
Sink Coupling and Waste Pipe  
Soap Dispenser  
Wooden Chopping Board  
Vegetable Basket  
Strainer Basket

## II. MULTI-FUNCTIONAL PANEL



## III. BEFORE INSTALLATION

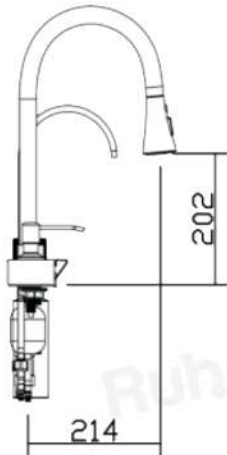
All information is based on the latest published product information. The Company reserves the right to change product features, packaging, or types of products available at any time without notice. The instructions include important information on installation, maintenance, and cleaning. Please give them to the user for reading.

- Be sure to rinse the water supply pipe thoroughly first to remove impurities in the pipe
- For a good pressure of water in your Piano Waterfall Sink, it is advised that you install a pressure pump in your overhead tanks.
- Please make special note that the arm tube connected with the shower flush must be kept away from the heater, otherwise the shower and its seal may be damaged, or even harm the user.

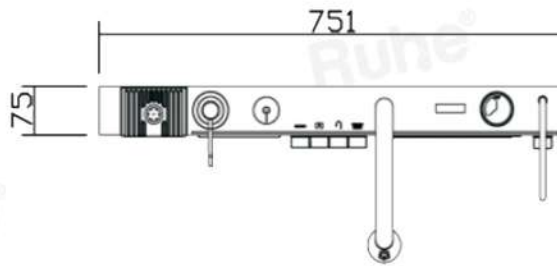
## IV. MOUNTING DIMENSIONS

Dimensions in Millimeters (mm)

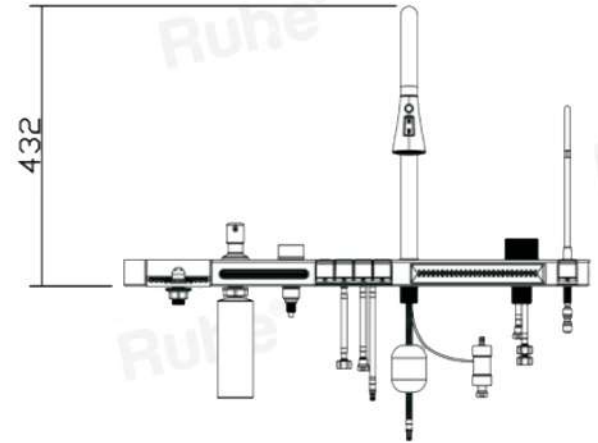
Side View



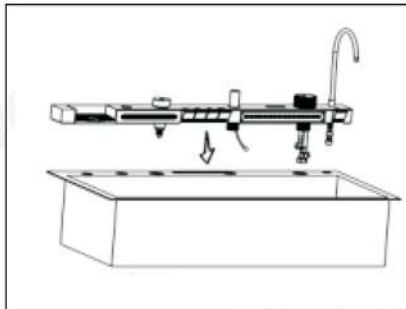
Top View



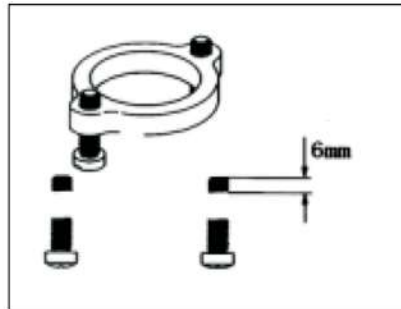
Front View



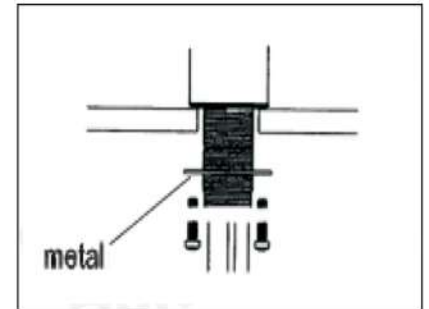
## V. INSTALLATION PROCEDURE



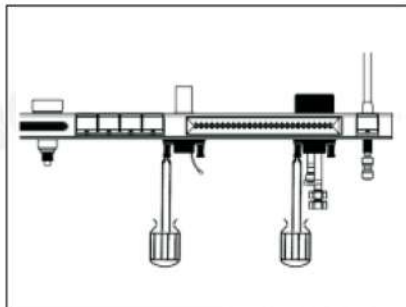
1. Place the Panel congruent to the holes on the sink bowl as indicated by the arrow.



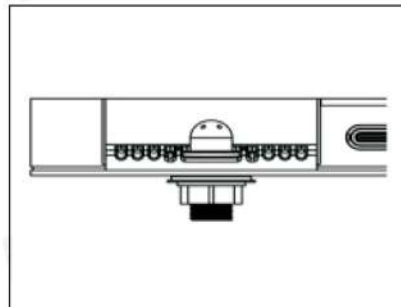
2. Screw the nuts into the mounting ring until the nuts are 6mm above the mounting ring.



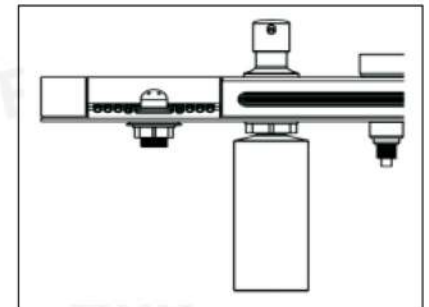
3. Install the gasket onto the mounting ring to the dental tube



4. Adjust and tighten the screws for the mounting ring.



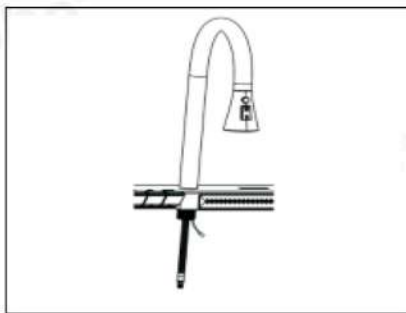
5. Install the cup washer and tighten the screw ring onto the sink.



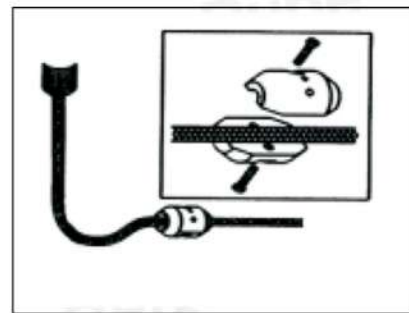
6. Install the Soap Dispenser and tighten the screw ring onto the sink.



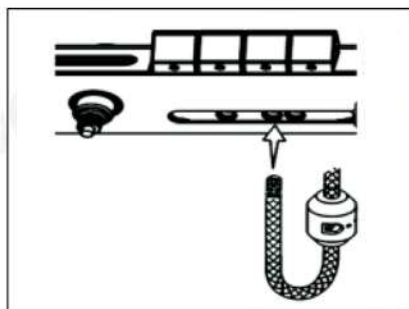
7. Insert the socket tightly into the main joint of the faucet and check whether the faucet is rotating smoothly.



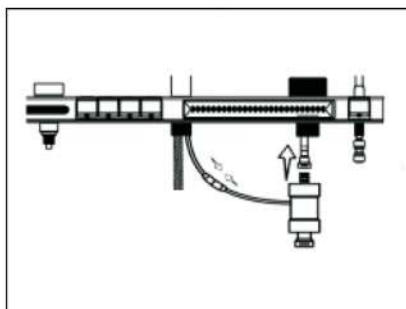
8. The pull-out faucet pipe is connected to the tube in such a way to check whether the pull-out function is smooth.



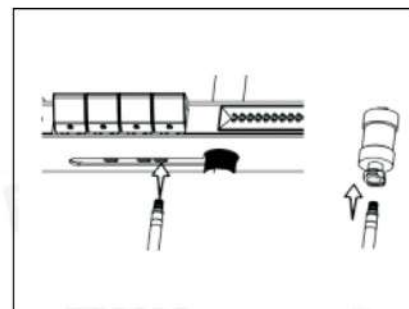
9. Install the Gravity Ball on the Tube without locking it completely.



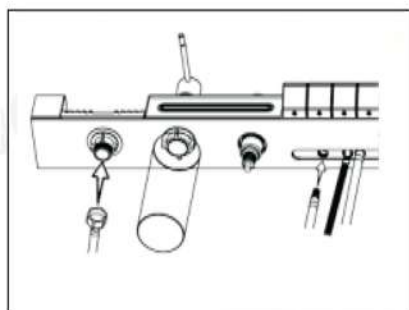
10. Connect the Tube to the corresponding hole under the switch buttons on the panel.



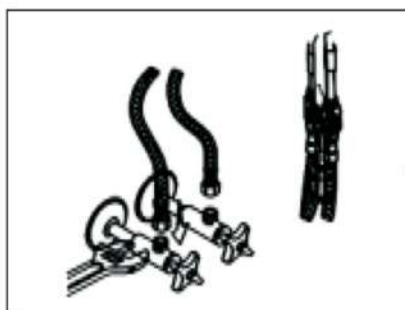
11. Connect the motor to the main spool of temperature control knob. Connect the Motor wire to the display wire.



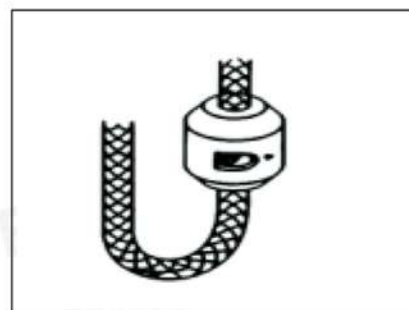
12. Install the connecting pipe on the main water inlet hole of the main body and lock it tightly. Link the connector to the motor.



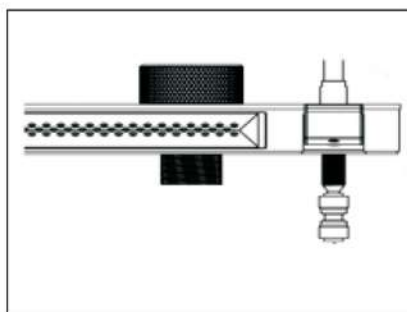
13. Install the connecting pipe on the main cup washer hole and lock it tightly. Connect the tooth pipe of the cup washer and lock it tightly.



14. Connect the hot and cold pipes to the water source.



15. Adjust the gravity ball as shown. Hold in place and lock securely.



16. Connect the water purifier outlet to the main water purification interface.



17. Turn on hot and cold water tap switch, let the water flow out for about 2 minutes.

## **VI. INSTALLATION COMPLETE CHECK**

Check and ensure that all joints are tight and hand wheel is in closed position. Turn on the main water and drainage systems, check and repair/tighten leaky interfaces

## **VII. CLEANING & MAINTENANCE**

- Use normal soapy water to clean the surface of the Sink
- Avoid using harsh detergents, acids, ammonia, etc., on the sink bowl or the multi-functional panel.
- Dry the panel after use for long-term durability.