

KITCHEN SINKS



Please Scan QR Code To
Join Our  Telegram Channel



INTRODUCTION

Luxury, efficiency, and exclusivity are synonymous with the ever-growing vogue of the ISI and ISO (9001:2015) accredited, LIPKA. A well-known brand in the realm of bathroom and kitchen fittings, LIPKA has undoubtedly achieved a superior position in the industry, promising to be the one-stop solution to all lifestyle essentials.

Born as a vision to a dynamic entrepreneur, LIPKA is an Indian company based in New Delhi and has spread its presence in the markets of over 1000 cities. It started as a modest SSI unit and went out to grow into a large deferential family with a range of over 4000 products being sold by 5000 dealers across the country. Team LIPKA comprises over 300 plus committed members who aim to bring to their customers convenience and elegance - all at once! The team works vigorously and ensures compatibility with the diverse choices of its consumers with over 3000 products. Team LIPKA remains on its toes throughout the year to introduce new products and modify the existing ones with creative add-ons, keeping in mind the ever-changing needs of the consumers. Now more than a decade old, LIPKA stands at the apex on the list of the most-selling floor drains and has gained substantial momentum with respect to its other remarkably designed products such as its practical kitchen sinks, stylish faucets/taps, sturdy PTMT fixtures, and so on. The 100% indigenously manufactured products of LIPKA have the most extensive range of designs in the country for bathroom fittings, kitchen fixtures, and other utility requirements.

LIPKA's core values echo customers' need for quality, creativity, functionality, and brilliance. It is not only the fastest-growing online brand in the country but also aspires to be the best multinational brand for bathroom and kitchen fittings that reflect sophisticated, hygienic, and green living.

LIPKA KITCHEN SINKS

Introducing LIPKA kitchen sinks, an epitome of versatility and durability, uniquely crafted to elevate your kitchen experience. Proudly 100% Made in India, our sinks are meticulously designed from premium materials such as 202-Grade Stainless Steel, AISI 304-Grade Stainless Steel, and Quartz, ensuring lasting resilience. With LIPKA, you'll discover sinks to perfectly suit your kitchen needs, from Single Bowl and Double Bowls to those with a Drainboard. We offer a vast range of types including Hydraulic Kitchen Sinks, Handmade Kitchen Sinks, Quartz Kitchen Sinks, and our recent innovation, the Nano Waterfall kitchen sink, a multi-functional marvel designed to redefine convenience. Our superior sound-deadening technology sets us apart; our stainless steel sinks are fitted with lightweight foam pads to dampen the clatter and clang, offering you a quieter kitchen environment. With the choice of Matte & Glossy finishes, LIPKA allows you to customize your sink to blend seamlessly with your kitchen aesthetics. Backed by a Lifetime Warranty, LIPKA kitchen sinks are not just an investment but a lifelong commitment to quality. Available in a wide range of standardized sizes, we provide options that cater to every kitchen design. We acknowledge that a sink plays a significant role in boosting the kitchen's style statement; it not only serves as a basic essential for washing and cleansing, but it also contributes to the modern kitchen's practicality and aesthetics.

CONTENTS

WATERFALL NANO KITCHEN SINK	05
HANDMADE KITCHEN SINKS	06-07
HANDMADE KITCHEN SINKS (AISI 304 18/8)	08-09
HANDMADE KITCHEN SINKS (PVD COATED)	10
HANDMADE KITCHEN SINK WITH TAP HOLE	11-12
ROUND SINGLE BOWL	13-14
SQUARE SINGLE BOWL	15-16
ROUND SINGLE BOWL WITH DRAIN BOARD	17
SQUARE SINGLE BOWL WITH DRAIN BOARD	18
ROUND DOUBLE BOWL	19
SQUARE DOUBLE BOWL	20
QUARTZ SINGLE BOWL	21-24
QUARTZ SINGLE BOWL WITH DRAIN BOARD	25-28
QUARTZ DOUBLE BOWL	29-31
QUARTZ DOUBLE BOWL WITH DRAIN BOARD	32-34
QUARTZ DOUBLE BOWL (BLACK)	35
SINK ACCESSORIES	36



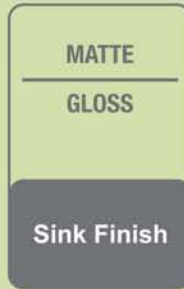
The Bureau of Indian Standards has awarded LIPKA Kitchen Sinks with ISI Mark for adhering to their strict quality standard.



Magnet Test is a credible test to distinguish LIPKA Kitchen Sinks from their competitors in the market LIPKA Sinks are guaranteed non-magnetic..



LIPKA Kitchen Sinks are manufactured using 1-1.2mm Premium & ISI-Marked 304-Grade Stainless Steel Sheets.



LIPKA Kitchen Sinks come with options for Matte and Gloss finish. The matte finish gives your kitchen a rustic yet contemporary look and blends in with any décor setting. The mirror-like glossy finish sheds water rapidly, resists spotting, and adds a pristine sparkle to your kitchen..



All LIPKA Sinks come with a LIFETIME WARRANTY that ensure an everlasting peace of mind.



Hydraulic Sinks undergo annealing and are drawn twice for extra ductility, resilience, and durability. Handmade Sinks are skilfully handcrafted, prioritizing volume.



Sinks ensure greater resistance to rusting and corrosion due to the authentic selection of raw material.

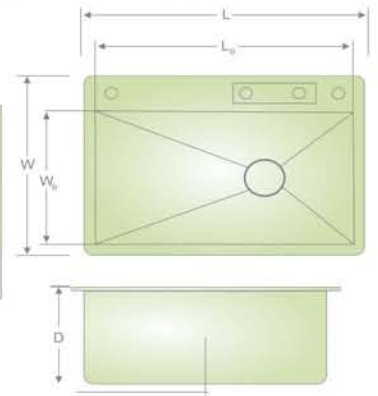


Unlike our competitors in the market, we at LIPKA do not increase the weight of the sink by sticking heavy pads underneath it, we use 4mm thick weightless foam pads to improve the sound dampening effect.

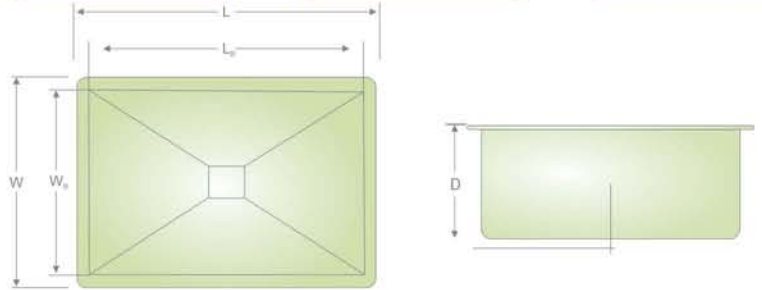
WATERFALL NANO KITCHEN SINK



ART NO.	OVER ALL SIZE (L x W x D)		BOWL SIZE (L x W)		PREMIUM STAINLESS STEEL M.R.P in ₹ (Per Pc.)
	INCHES	MM	INCHES	MM	
HMSB16WF-202	30" x 18" x 9"	750mm x 450mm x 240mm	28" x 14"	700mm x 350mm	24980/-

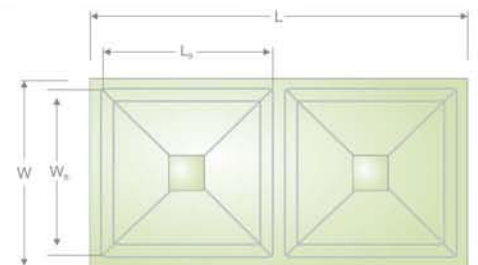


SINGLE BOWL



ART NO.	OVER ALL SIZE (L x W x D)		BOWL SIZE (L x W)		PREMIUM STAINLESS STEEL M.R.P in ₹ (Per Pc.)
	INCHES	MM	INCHES	MM	
HMSB03	18" x 16" x 9"	450mm x 400mm x 225mm	16" x 14"	400mm x 350mm	5275/-
HMSB05	20" x 17" x 9"	500mm x 430mm x 225mm	18" x 15"	450mm x 380mm	5425/-
HMSB07	21" x 18" x 9"	530mm x 450mm x 225mm	19" x 16"	480mm x 400mm	5445/-
HMSB10	24" x 18" x 10"	600mm x 448mm x 258mm	22" x 16"	550mm x 398mm	5535/-
HMSB14	32" x 20" x 10"	810mm x 500mm x 245mm	30" x 18"	760mm x 450mm	8575/-

DOUBLE BOWL

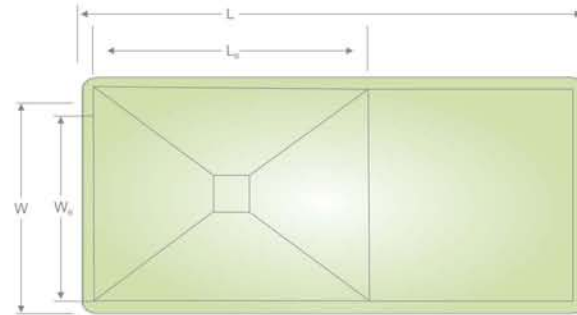


ART NO.	OVER ALL SIZE (L x W x D)		BOWL SIZE (L x W)		PREMIUM STAINLESS STEEL M.R.P in ₹ (Per Pc.)
	INCHES	MM	INCHES	MM	
HMDB02	37" x 18" x 10"	932mm x 442mm x 225mm	17" x 16"	428mm x 392mm	9720/-
HMDB03	45" x 20" x 10"	1139mm x 498mm x 246mm	21" x 18"	532mm x 448mm	10275/-



HANDMADE
KITCHEN SINKS

SINGLE BOWL WITH DRAIN BOARD



ART NO.	OVER ALL SIZE (L x W x D)		BOWL SIZE (L x W)		PREMIUM STAINLESS STEEL M.R.P in ₹ (Per Pc.)
	INCHES	MM	INCHES	MM	
HMSD04	37" x 18" x 10"	940mm x 460mm x 250mm	21" x 16"	528mm x 410mm	9565/-
HMSD06	45" x 20" x 10"	1144mm x 500mm x 250mm	21" x 18"	530mm x 450mm	10135/-



LIPKA's Handmade Kitchen Sinks offer extra volume as compared to their Hydraulic Contemporaries, due to their perfect straight edges and slightly rounded corners that are mindfully welded to prevent dirt from accumulating.

AISI 304 (18/8)

**HANDMADE
KITCHEN SINKS**

SINGLE BOWL



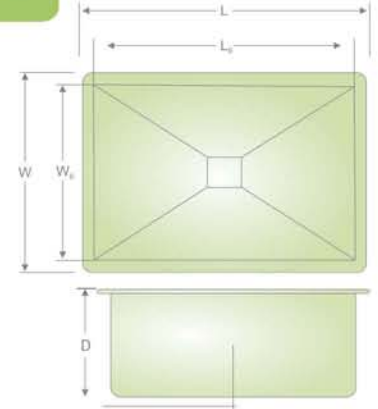
SINK COUPLING



WASTE PIPE



VEGETABLE BASKET



ART NO.	OVER ALL SIZE (L x W x D)		BOWL SIZE (L x W)		AISI 304 (18/8) STAINLESS STEEL M.R.P in ₹ (Per Pc.)
	INCHES	MM	INCHES	MM	
HMSB03-304	18" x 16" x 10"	458mm x 407mm x 254mm	16" x 14"	407mm x 356mm	10870/-
HMSB05-304	20" x 17" x 10"	508mm x 432mm x 254mm	18" x 15"	458mm x 381mm	11130/-
HMSB07-304	21" x 18" x 10"	534mm x 458mm x 254mm	19" x 16"	483mm x 407mm	11310/-
HMSB08-304	22" x 18" x 10"	560mm x 458mm x 254mm	20" x 16"	508mm x 407mm	11485/-
HMSB10-304	24" x 18" x 10"	610mm x 458mm x 254mm	22" x 16"	560mm x 407mm	11695/-
HMSB15-304	32" x 18" x 10"	813mm x 458mm x 254mm	30" x 16"	762mm x 407mm	13515/-
HMSB14-304	32" x 20" x 10"	813mm x 508mm x 254mm	30" x 18"	762mm x 458mm	13680/-

AISI 304 (18/8)

DOUBLE BOWL



SINK COUPLING



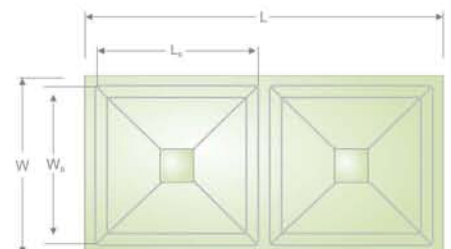
WASTE PIPE



DOUBLE BOWL
CONNECTOR



VEGETABLE BASKET



ART NO.	OVER ALL SIZE (L x W x D)		BOWL SIZE (L x W)		AISI 304 (18/8) STAINLESS STEEL M.R.P in ₹ (Per Pc.)
	INCHES	MM	INCHES	MM	
HMDB01-304	32" x 18" x 10"	814mm x 458mm x 254mm	16" x 14.5"	407mm x 369mm	17740/-
HMDB02-304	37" x 18" x 10"	940mm x 458mm x 254mm	17" x 16"	432mm x 407mm	20585/-
HMDB03-304	45" x 20" x 10"	1144mm x 510mm x 254mm	21" x 18"	533mm x 457mm	22270/-



MATTE FINISH

HANDMADE
KITCHEN SINKS

AISI 304 (18/8)



SINGLE BOWL WITH DRAIN BOARD



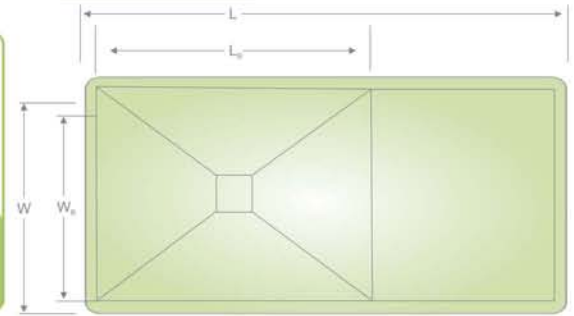
SINK COUPLING



WASTE PIPE



VEGETABLE BASKET



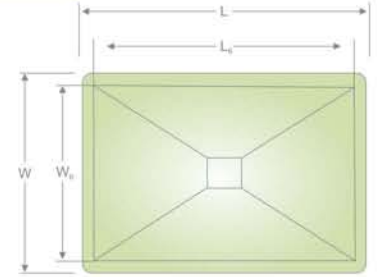
ART NO.	OVER ALL SIZE (L x W x D)		BOWL SIZE (L x W)		AISI 304 (18/8) STAINLESS STEEL M.R.P in ₹ (Per Pc.)
	INCHES	MM	INCHES	MM	
HMSD04-304	37" x 18" x 10"	940mm x 458mm x 254mm	21" x 16"	528mm x 408mm	18925/-
HMSD06-304	45" x 20" x 10"	1144mm x 510mm x 254mm	21" x 18"	528mm x 457mm	20525/-

HANDMADE
KITCHEN SINK



HANDMADE SINK WITH DRAINBOARD
Sleek and Smooth Surface for quick drainage

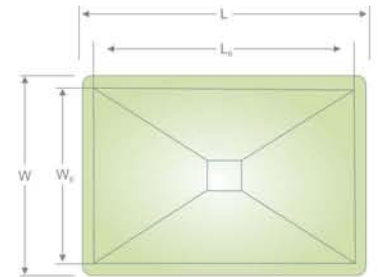
SINGLE BOWL (MATTE BLACK)



ART NO.	OVER ALL SIZE (L x W x D)		BOWL SIZE (L x W)		PREMIUM STAINLESS STEEL
	INCHES	MM	INCHES	MM	M.R.P in ₹ (Per Pc.)
HMSB10-BLACK	24" x 18" x 10"	600mm x 448mm x 258mm	22" x 16"	550mm x 398mm	7390/-



SINGLE BOWL (GOLD)



ART NO.	OVER ALL SIZE (L x W x D)		BOWL SIZE (L x W)		PREMIUM STAINLESS STEEL
	INCHES	MM	INCHES	MM	M.R.P in ₹ (Per Pc.)
HMSB10-GOLD	24" x 18" x 10"	600mm x 448mm x 258mm	22" x 16"	550mm x 398mm	7390/-



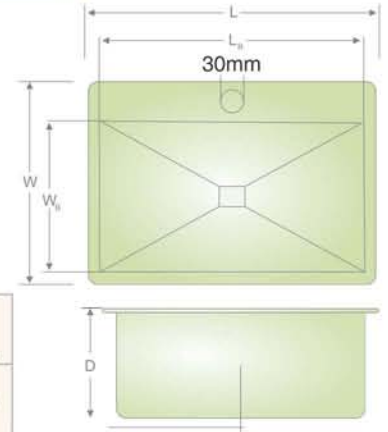
GLOSSY FINISH

HANDMADE
KITCHEN SINK
WITH TAP HOLE



AISI 304 (18/8)

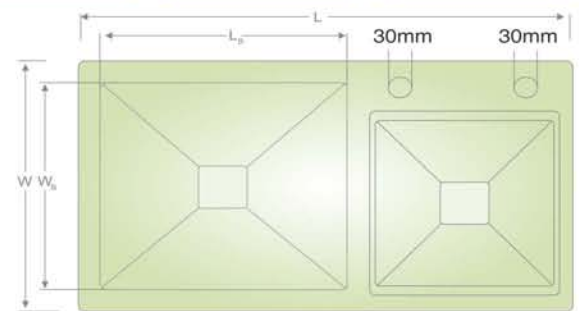
SINGLE BOWL



ART NO.	OVER ALL SIZE (L x W x D)		BOWL SIZE (L x W)		AISI 304 (18/8) STAINLESS STEEL M.R.P in ₹ (Per Pc.)
	INCHES	MM	INCHES	MM	
HMSB03-304-TH	18" x 16" x 10"	458mm x 407mm x 254mm	16" x 12"	407mm x 307mm	11050/-
HMSB05-304-TH	20" x 17" x 10"	508mm x 432mm x 254mm	18" x 13"	458mm x 332mm	11310/-
HMSB07-304-TH	21" x 18" x 10"	534mm x 458mm x 254mm	19" x 14"	483mm x 358mm	11485/-
HMSB08-304-TH	22" x 18" x 10"	559mm x 458mm x 254mm	20" x 14"	508mm x 358mm	11665/-
HMSB10-304-TH	24" x 18" x 10"	610mm x 458mm x 254mm	22" x 14"	560mm x 358mm	11875/-
HMSB14-304-TH	32" x 20" x 10"	813mm x 508mm x 254mm	30" x 16"	762mm x 408mm	13900/-
HMSB15-304-TH	32" x 18" x 9"	813mm x 458mm x 229mm	30" x 14"	762mm x 358mm	13670/-

AISI 304 (18/8)

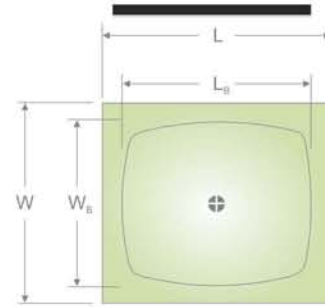
DOUBLE BOWL



ART NO.	OVER ALL SIZE (L x W x D)		BOWL SIZE (L x W)		AISI 304 (18/8) STAINLESS STEEL M.R.P in ₹ (Per Pc.)
	INCHES	MM	INCHES	MM	
HMDB01-304-TH	32" x 18" x 10"	814mm x 458mm x 254mm	14.5" x 16" 14.5" x 14"	369mm x 407mm 369mm x 358mm	18095/-
HMDB02-304-TH	37" x 18" x 10"	940mm x 458mm x 254mm	17" x 16" 17" x 14"	432mm x 407mm 432mm x 358mm	20820/-
HMDB03-304-TH	45" x 20" x 10"	1144mm x 510mm x 254mm	21" x 18" 21" x 16"	533mm x 457mm 533mm x 410mm	22675/-



SILVER RANGE
KITCHEN SINKS



ART NO.	OVER ALL SIZE (L x W x D)		BOWL SIZE (L x W)		PREMIUM STAINLESS STEEL
	INCHES	MM	INCHES	MM	M.R.P in ₹ (Per Pc.)
PRB03	18" x 16" x 8"	457mm x 406mm x 203mm	16" x 14"	406mm x 355mm	2620/-
PRB05	20" x 17" x 8"	508mm x 432mm x 203mm	18" x 15"	457mm x 381mm	2870/-
PRB10	24" x 18" x 9"	610mm x 457mm x 228mm	22" x 16"	559mm x 406mm	3295/-

GLOSS FINISH



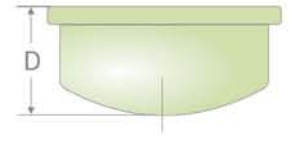
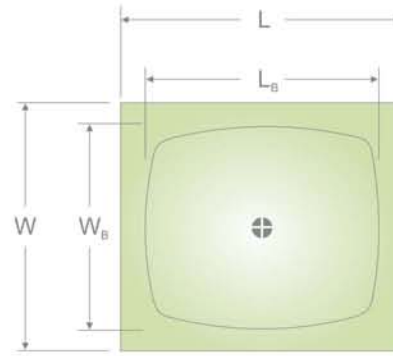
ROUND SINGLE BOWL



IS : 13983



CM/L-8100084705



ART NO.	OVER ALL SIZE (L x W x D)		BOWL SIZE (L x W)		PREMIUM STAINLESS STEEL
	INCHES	MM	INCHES	MM	M.R.P in ₹ (Per Pc.)
RB03	18" x 16" x 8"	457mm x 406mm x 203mm	16" x 14"	406mm x 355mm	3000/-
RB05	20" x 17" x 8"	508mm x 432mm x 203mm	18" x 15"	457mm x 203mm	3190/-
RB07	21" x 18" x 8"	533mm x 457mm x 203mm	18" x 15"	457mm x 381mm	3275/-
RB08	22" x 18" x 8"	559mm x 457mm x 228mm	20" x 16"	508mm x 406mm	3650/-
RB10	24" x 18" x 9"	610mm x 457mm x 228mm	22" x 16"	559mm x 406mm	3805/-

ART NO.	AISI 304 (18/8) STAINLESS STEEL
	M.R.P in ₹ (Per Pc.)
RB03-304	4210/-
RB05-304	4510/-
RB07-304	4650/-
RB08-304	5230/-
RB10-304	5465/-

GLOSS FINISH



MATTE FINISH ON SPECIAL ORDER

SQUARE KITCHEN SINKS

ISI-Marked 304-Grade Stainless Steel Hydraulic Square Kitchen Sinks undergo annealing and are pressed twice for increased ductility and offer greater resistance to denting and cracking.

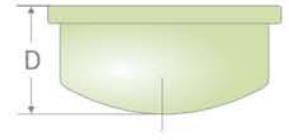
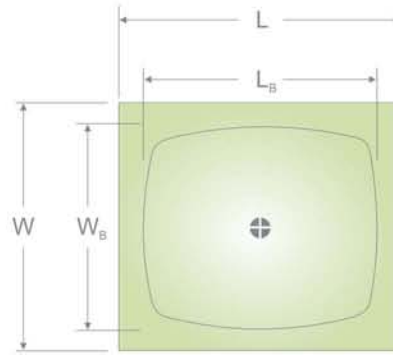
SQUARE SINGLE BOWL



IS : 13983



CML/L-8100084705



ART NO.	OVER ALL SIZE (L x W x D)		BOWL SIZE (L x W)		PREMIUM STAINLESS STEEL
	INCHES	MM	INCHES	MM	M.R.P in ₹ (Per Pc.)
SB01	15" x 12" x 6"	381mm x 305mm x 152mm	13" x 10"	330mm x 254mm	2870/-
SB02	16" x 14" x 6"	406mm x 355mm x 152mm	14" x 12"	355mm x 305mm	3085/-
SB03	18" x 16" x 8"	457mm x 406mm x 203mm	16" x 14"	406mm x 355mm	3685/-
SB05	20" x 17" x 8"	508mm x 432mm x 203mm	18" x 15"	457mm x 381mm	3845/-
SB07	21" x 18" x 8"	533mm x 457mm x 203mm	18" x 15"	457mm x 381mm	3955/-
SB08	22" x 18" x 8"	559mm x 457mm x 203mm	20" x 16"	508mm x 406mm	4360/-
SB10	24" x 18" x 9"	610mm x 457mm x 228mm	22" x 16"	559mm x 406mm	4635/-
SB12	26" x 20" x 9"	660mm x 508mm x 228mm	24" x 18"	610mm x 457mm	5240/-
SB13	27" x 21" x 9"	685mm x 533mm x 228mm	24" x 18"	610mm x 457mm	5385/-

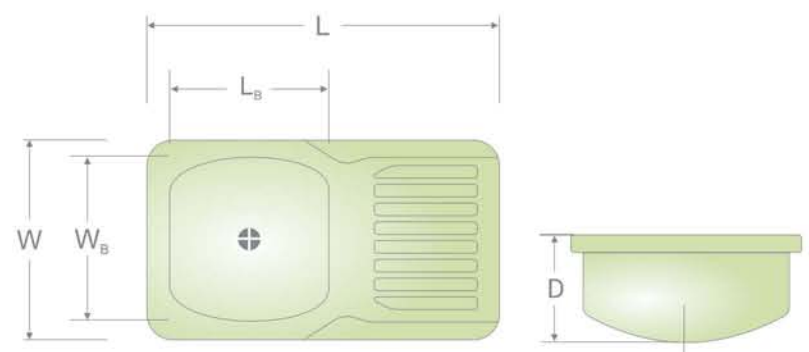
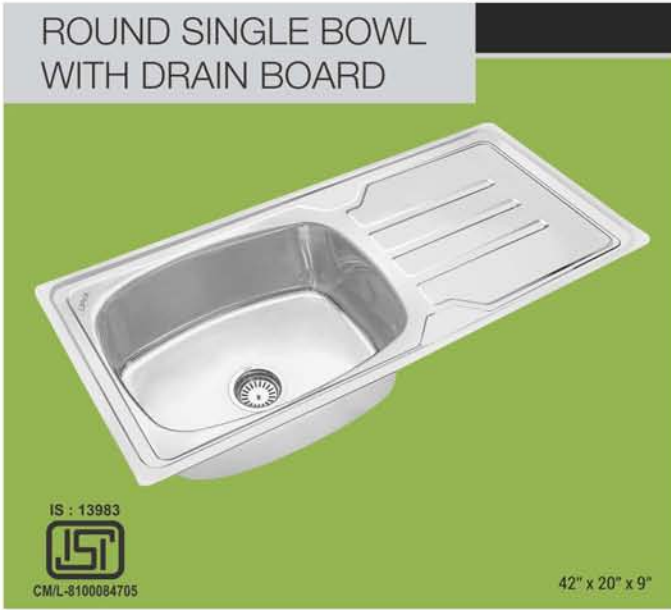
ART NO.	AISI 304 (18/8) STAINLESS STEEL
	M.R.P in ₹ (Per Pc.)
SB01-304	3715/-
SB02-304	4070/-
SB03-304	5100/-
SB05-304	5345/-
SB07-304	5525/-
SB08-304	6135/-
SB10-304	6545/-
SB12-304	7525/-
SB13-304	7755/-

GLOSS FINISH

MATTE FINISH ON SPECIAL ORDER

ROUND BOWL
KITCHEN SINKS

ROUND SINGLE BOWL WITH DRAIN BOARD



ART NO.	OVER ALL SIZE (L x W x D)		BOWL SIZE (L x W)		PREMIUM STAINLESS STEEL
	INCHES	MM	INCHES	MM	M.R.P in ₹ (Per Pc.)
RBSD04	37" x 18" x 9"	940mm x 457mm x 203mm	16" x 14"	406mm x 355mm	4690/-
RBSD05	42" x 20" x 9"	1067mm x 508mm x 228mm	20" x 16"	508mm x 406mm	5510/-
RBSD06	45" x 20" x 9"	1143mm x 508mm x 228mm	20" x 16"	508mm x 406mm	5700/-

ART NO.	AISI 304 (18/8) STAINLESS STEEL
	M.R.P in ₹ (Per Pc.)
RBSD04-304	6700/-
RBSD05-304	7985/-
RBSD06-304	8290/-

GLOSS FINISH



MATTE FINISH ON SPECIAL ORDER

**SQUARE SINGLE BOWL
WITH DRAIN BOARD**

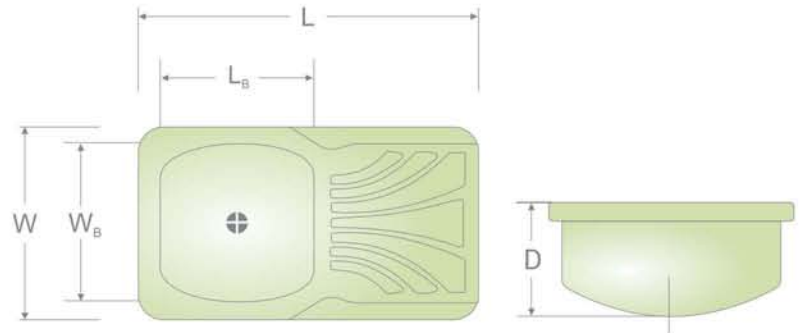
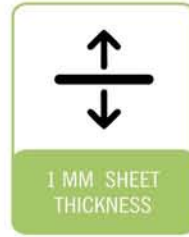


IS : 13983



CM/L-8100084705

32" x 18" x 8"



ART NO.	OVER ALL SIZE (L x W x D)		BOWL SIZE (L x W)		PREMIUM STAINLESS STEEL
	INCHES	MM	INCHES	MM	M.R.P in ₹ (Per Pc.)
SBSD02	32" x 18" x 8"	813mm x 457mm x 203	16" x 14"	406mm x 355mm	4975/-
SBSD03	32" x 20" x 8"	813mm x 508mm x 203	16" x 14"	406mm x 355mm	5140/-
SBSD04	37" x 18" x 8"	940mm x 457mm x 203	16" x 14"	406mm x 355mm	5460/-
SBSD05	42" x 20" x 9"	1067mm x 508mm x 228	20" x 16"	508mm x 406mm	6420/-
SBSD06	45" x 20" x 9"	1143mm x 508mm x 228	20" x 16"	508mm x 406mm	6535/-

ART NO.	AISI 304 (18/8) STAINLESS STEEL
	M.R.P in ₹ (Per Pc.)
SBSD02-304	6895/-
SBSD03-304	7170/-
SBSD04-304	7625/-
SBSD05-304	9100/-
SBSD06-304	9290/-

GLOSS FINISH



MATTE FINISH ON SPECIAL ORDER

ROUND BOWL
KITCHEN SINKS

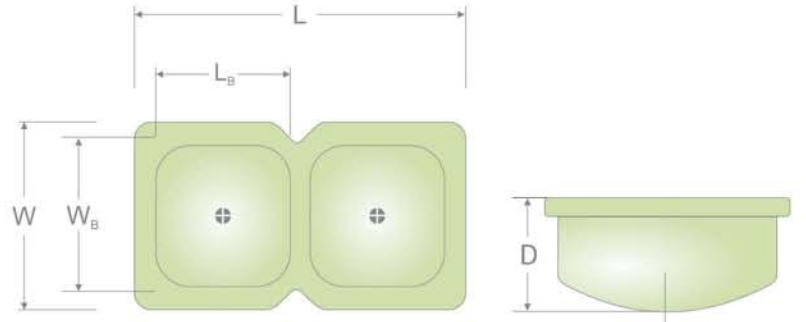
ROUND DOUBLE BOWL



IS : 13983



CM/L-8100084705



ART NO.	OVER ALL SIZE (L x W x D)		BOWL SIZE (L x W)		PREMIUM STAINLESS STEEL M.R.P in ₹ (Per Pc.)
	INCHES	MM	INCHES	MM	
RBDB02	37" x 18" x 8"	940mm x 457mm x 203mm	16" x 14"	406mm x 355mm	6360/-
RBDB03	45" x 20" x 9"	1143mm x 508mm x 228mm	20" x 16"	508mm x 406mm	7810/-

ART NO.	AISI 304 (18/8) STAINLESS STEEL M.R.P in ₹ (Per Pc.)
RBDB02-304	8975/-
RBDB03-304	11200/-

GLOSS FINISH



MATTE FINISH ON SPECIAL ORDER

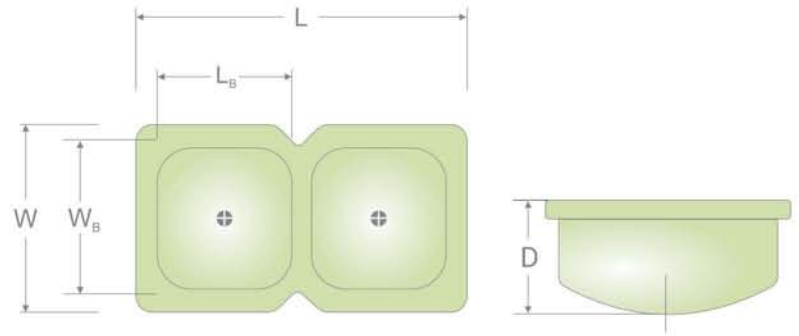
SQUARE DOUBLE BOWL



IS : 13983



CM/L-8100084705



ART NO.	OVER ALL SIZE (L x W x D)		BOWL SIZE (L x W)		PREMIUM STAINLESS STEEL
	INCHES	MM	INCHES	MM	M.R.P in ₹ (Per Pc.)
SBDB01	32" x 20" x 8"	762mm x 508mm x 203mm	16" x 14"	406mm x 355mm	7155/-
SBDB02	37" x 18" x 8"	940mm x 457mm x 203mm	16" x 14"	406mm x 355mm	7390/-
SBDB03	45" x 20" x 9"	1143mm x 508mm x 228mm	20" x 16"	508mm x 406mm	9050/-

ART NO.	AISI 304 (18/8) STAINLESS STEEL
	M.R.P in ₹ (Per Pc.)
SBDB01-304	10010/-
SBDB02-304	10315/-
SBDB03-304	12825/-

GLOSS FINISH



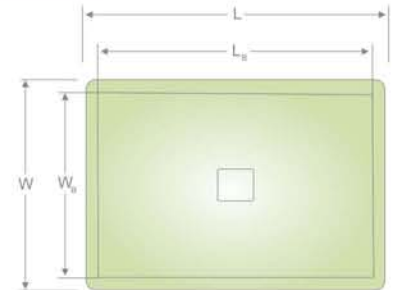
SQUARE DOUBLE BOWL

Made with 1mm Thick Stainless Steel Sheets that are Hydraulically Pressed Twice and offer the most spacious Kitchen Sink Station.

MATTE FINISH ON SPECIAL ORDER

QUARTZ KITCHEN SINK

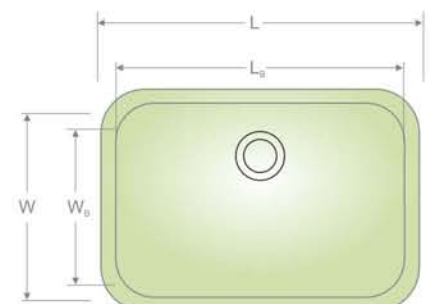
SINGLE BOWL (BLACK)



ART NO.	OVER ALL SIZE (L x W x D)		BOWL SIZE (L x W)		QUARTZ
	INCHES	MM	INCHES	MM	M.R.P in ₹ (Per Pc.)
QZSB07-B	21" x 18" x 9"	533mm x 457mm x 230mm	19" x 16"	474mm x 398mm	7160/-
QZSB10-B	24" x 18" x 9"	610mm x 457mm x 230mm	22" x 16"	547mm x 398mm	7275/-



SINGLE BOWL (BLACK)



ART NO.	OVER ALL SIZE (L x W x D)		BOWL SIZE (L x W)		QUARTZ
	INCHES	MM	INCHES	MM	M.R.P in ₹ (Per Pc.)
QZSB14-B	31" X 19" x 9"	780mm x 478mm x 220mm	28" x 16"	715mm x 413mm	11515/-



SINGLE BOWL (CRYSTAL WHITE)



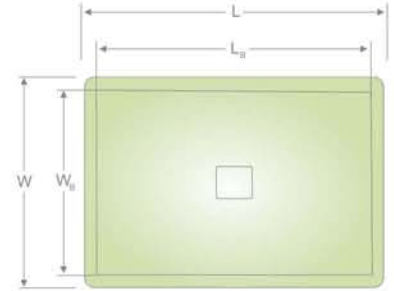
SINK COUPLING



WASTE PIPE



VEGETABLE BASKET



ART NO.	OVER ALL SIZE (L x W x D)		BOWL SIZE (L x W)		QUARTZ
	INCHES	MM	INCHES	MM	M.R.P in ₹ (Per Pc.)
QZSB07-CW	21" x 18" x 9"	533mm x 457mm x 230mm	19" x 16"	474mm x 398mm	7160/-
QZSB10-CW	24" x 18" x 9"	610mm x 457mm x 230mm	22" x 16"	547mm x 398mm	7275/-



SINGLE BOWL (SAND PLUTO)



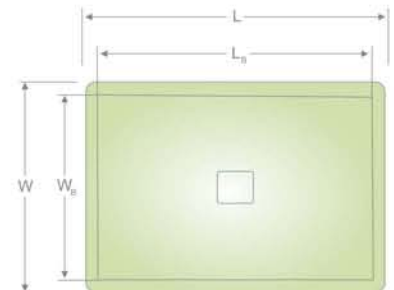
SINK COUPLING



WASTE PIPE



VEGETABLE BASKET



ART NO.	OVER ALL SIZE (L x W x D)		BOWL SIZE (L x W)		QUARTZ
	INCHES	MM	INCHES	MM	M.R.P in ₹ (Per Pc.)
QZSB07-SP	21" x 18" x 9"	533mm x 457mm x 230mm	19" x 16"	474mm x 398mm	7160/-
QZSB10-SP	24" x 18" x 9"	610mm x 457mm x 230mm	22" x 16"	547mm x 398mm	7275/-



QUARTZ KITCHEN SINK

SINGLE BOWL (SAND CHOCO)



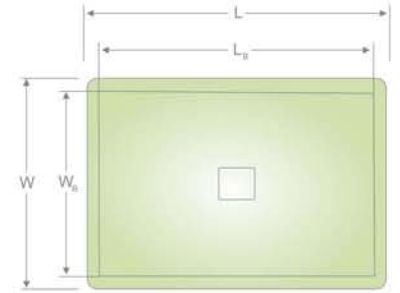
SINK COUPLING



WASTE PIPE



VEGETABLE BASKET



ART NO.	OVER ALL SIZE (L x W x D)		BOWL SIZE (L x W)		QUARTZ
	INCHES	MM	INCHES	MM	M.R.P in ₹ (Per Pc.)
QZSB07-SC	21" x 18" x 9"	533mm x 457mm x 230mm	19" x 16"	474mm x 398mm	7160/-
QZSB10-SC	24" x 18" x 9"	610mm x 457mm x 230mm	22" x 16"	547mm x 398mm	7275/-



SINGLE BOWL (SMOKEY GREY)



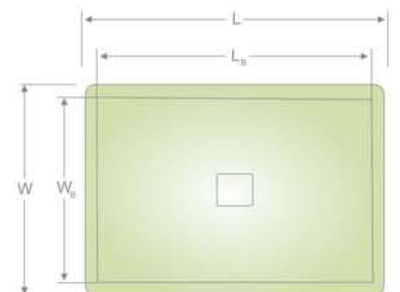
SINK COUPLING



WASTE PIPE



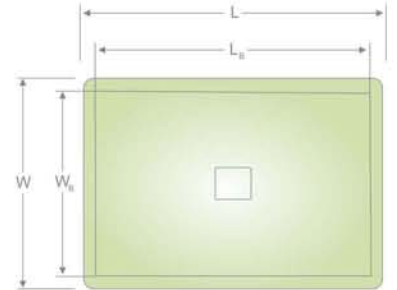
VEGETABLE BASKET



ART NO.	OVER ALL SIZE (L x W x D)		BOWL SIZE (L x W)		QUARTZ
	INCHES	MM	INCHES	MM	M.R.P in ₹ (Per Pc.)
QZSB07-SG	21" x 18" x 9"	533mm x 457mm x 230mm	19" x 16"	474mm x 398mm	7160/-
QZSB10-SG	24" x 18" x 9"	610mm x 457mm x 230mm	22" x 16"	547mm x 398mm	7275/-



SINGLE BOWL (CHOCO BROWN)

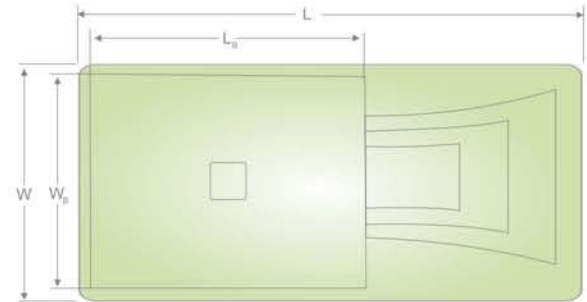


ART NO.	OVER ALL SIZE (L x W x D)		BOWL SIZE (L x W)		QUARTZ M.R.P in ₹ (Per Pc.)
	INCHES	MM	INCHES	MM	
QZSB07-CB	21" x 18" x 9"	533mm x 457mm x 230mm	19" x 16"	474mm x 398mm	7160/-
QZSB10-CB	24" x 18" x 9"	610mm x 457mm x 230mm	22" x 16"	547mm x 398mm	7275/-





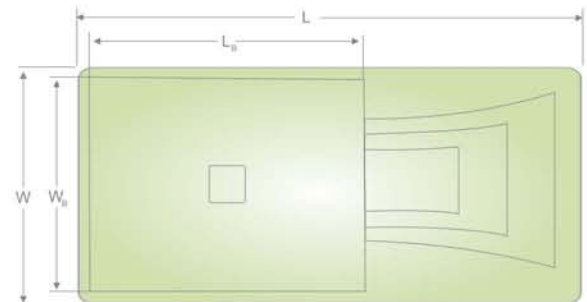
SINGLE BOWL WITH DRAIN BOARD (BLACK)



ART NO.	OVER ALL SIZE (L x W x D)		BOWL SIZE (L x W)		QUARTZ
	INCHES	MM	INCHES	MM	M.R.P in ₹ (Per Pc.)
QZSBD15-B	36" x 18" x 9"	900mm x 447mm x 230mm	16.5" x 14.5"	419mm x 368mm	12440/-
QZSBD17-B	39" x 20" x 9"	990mm x 494mm x 232mm	16.5" x 14.5"	419mm x 368mm	16745/-



SINGLE BOWL WITH DRAIN BOARD (SAND PLUTO)



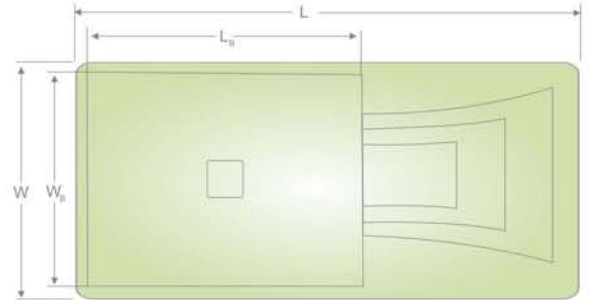
ART NO.	OVER ALL SIZE (L x W x D)		BOWL SIZE (L x W)		QUARTZ
	INCHES	MM	INCHES	MM	M.R.P in ₹ (Per Pc.)
QZSBD15-SP	36" x 18" x 9"	900mm x 447mm x 230mm	16.5" x 14.5"	419mm x 368mm	12440/-
QZSBD17-SP	39" x 20" x 9"	990mm x 494mm x 232mm	16.5" x 14.5"	419mm x 368mm	16745/-



QUARTZ

KITCHEN SINK

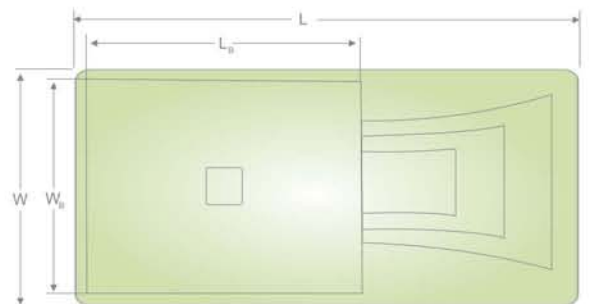
SINGLE BOWL WITH DRAIN BOARD (SMOKE GREY)



ART NO.	OVER ALL SIZE (L x W x D)		BOWL SIZE (L x W)		QUARTZ
	INCHES	MM	INCHES	MM	M.R.P in ₹ (Per Pc.)
QZSBD15-SG	36" x 18" x 9"	900mm x 447mm x 230mm	16.5" x 14.5"	419mm x 368mm	12440/-
QZSBD17-SG	39" x 20" x 9"	990mm x 494mm x 232mm	16.5" x 14.5"	419mm x 368mm	16745/-



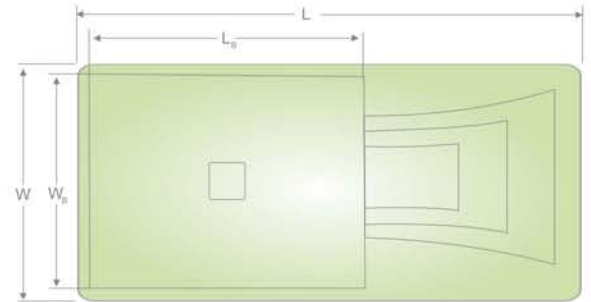
SINGLE BOWL WITH DRAIN BOARD (CRYSTAL WHITE)



ART NO.	OVER ALL SIZE (L x W x D)		BOWL SIZE (L x W)		QUARTZ
	INCHES	MM	INCHES	MM	M.R.P in ₹ (Per Pc.)
QZSBD15-CW	36" x 18" x 9"	900mm x 447mm x 230mm	16.5" x 14.5"	419mm x 368mm	12440/-
QZSBD17-CW	39" x 20" x 9"	990mm x 494mm x 232mm	16.5" x 14.5"	419mm x 368mm	16745/-



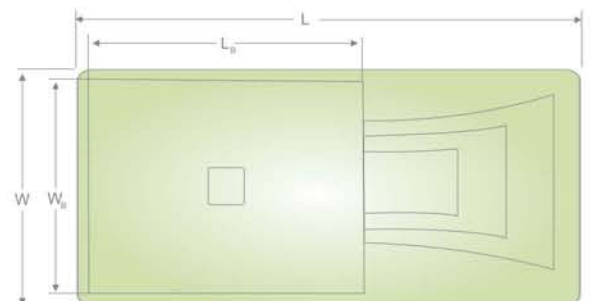
SINGLE BOWL WITH DRAIN BOARD (CHOCO BROWN)



ART NO.	OVER ALL SIZE (L x W x D)		BOWL SIZE (L x W)		QUARTZ
	INCHES	MM	INCHES	MM	M.R.P in ₹ (Per Pc.)
QZSBD15-CB	36" x 18" x 9"	900mm x 447mm x 230mm	16.5" x 14.5"	419mm x 368mm	12440/-
QZSBD17-CB	39" x 20" x 9"	990mm x 494mm x 232mm	16.5" x 14.5"	419mm x 368mm	16745/-



SINGLE BOWL WITH DRAIN BOARD (SAND CHOCO)

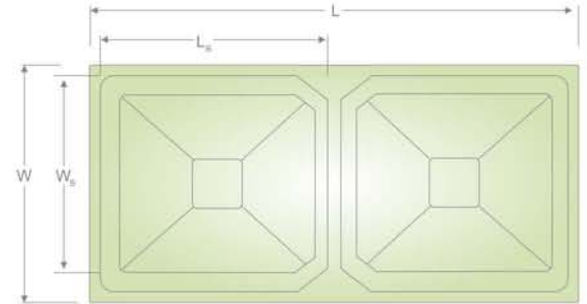


ART NO.	OVER ALL SIZE (L x W x D)		BOWL SIZE (L x W)		QUARTZ
	INCHES	MM	INCHES	MM	M.R.P in ₹ (Per Pc.)
QZSBD15-SC	36" x 18" x 9"	900mm x 447mm x 230mm	16.5" x 14.5"	419mm x 368mm	12440/-
QZSBD17-SC	39" x 20" x 9"	990mm x 494mm x 232mm	16.5" x 14.5"	419mm x 368mm	16745/-



QUARTZ KITCHEN SINK

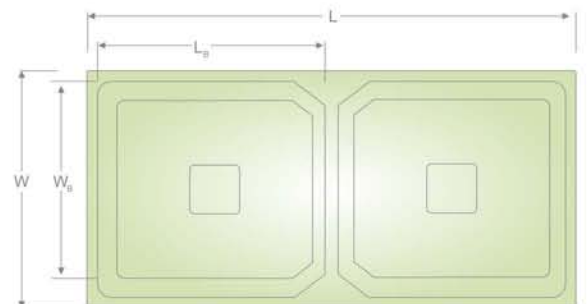
DOUBLE BOWL (BLACK)



ART NO.	OVER ALL SIZE (L x W x D)		BOWL SIZE (L x W)		QUARTZ
	INCHES	MM	INCHES	MM	M.R.P in ₹ (Per Pc.)
QZDB02-B	37" x 18" x 10"	926mm x 450mm x 230mm	16" x 15"	413mm x 379mm	14805/-
QZDB03-B	45" x 20" x 9"	1128mm x 500mm x 230mm	20" x 17"	508mm x 422mm	16275/-



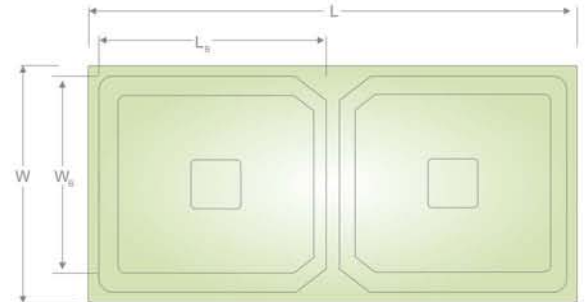
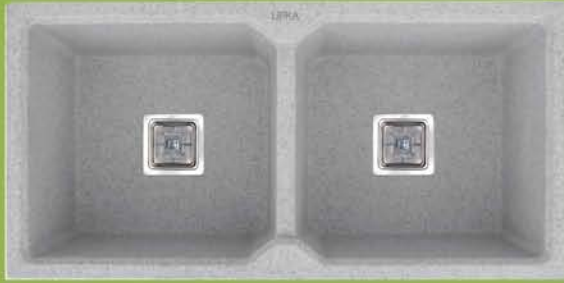
DOUBLE BOWL (CRYSTAL WHITE)



ART NO.	OVER ALL SIZE (L x W x D)		BOWL SIZE (L x W)		QUARTZ
	INCHES	MM	INCHES	MM	M.R.P in ₹ (Per Pc.)
QZDB02-CW	37" x 18" x 10"	926mm x 450mm x 230mm	16" x 15"	413mm x 379mm	14805/-
QZDB03-CW	45" x 20" x 9"	1128mm x 500mm x 230mm	20" x 17"	508mm x 422mm	16275/-



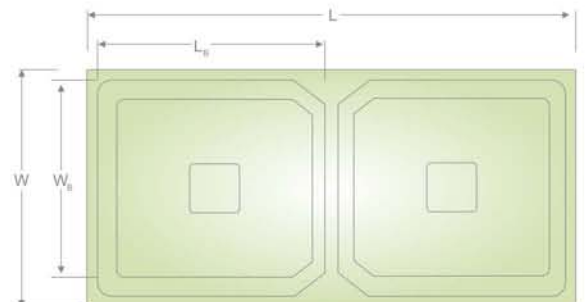
DOUBLE BOWL (SAND PLUTO)



ART NO.	OVER ALL SIZE (L x W x D)		BOWL SIZE (L x W)		QUARTZ
	INCHES	MM	INCHES	MM	M.R.P in ₹ (Per Pc.)
QZDB02-SP	37" x 18" x 10"	926mm x 450mm x 230mm	16" x 15"	413mm x 379mm	14805/-
QZDB03-SP	45" x 20" x 9"	1128mm x 500mm x 230mm	20" x 17"	508mm x 422mm	16275/-



DOUBLE BOWL (SAND CHOCO)

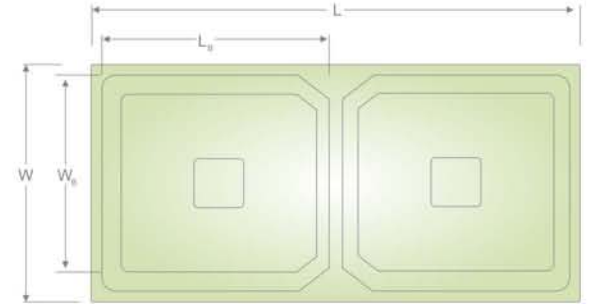


ART NO.	OVER ALL SIZE (L x W x D)		BOWL SIZE (L x W)		QUARTZ
	INCHES	MM	INCHES	MM	M.R.P in ₹ (Per Pc.)
QZDB02-SP	37" x 18" x 10"	926mm x 450mm x 230mm	16" x 15"	413mm x 379mm	14805/-
QZDB03-SP	45" x 20" x 9"	1128mm x 500mm x 230mm	20" x 17"	508mm x 422mm	16275/-



QUARTZ KITCHEN SINK

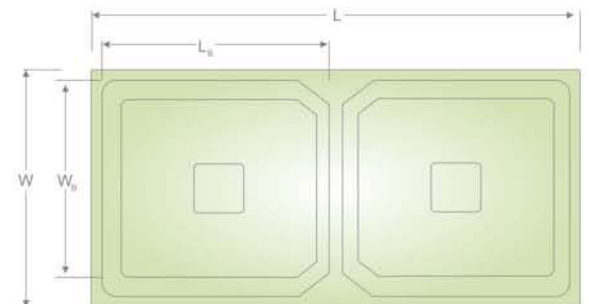
DOUBLE BOWL (SMOKEY GREY)



ART NO.	OVER ALL SIZE (L x W x D)		BOWL SIZE (L x W)		QUARTZ
	INCHES	MM	INCHES	MM	M.R.P in ₹ (Per Pc.)
QZDB02-SG	37" x 18" x 10"	926mm x 450mm x 230mm	16" x 15"	413mm x 379mm	14805/-
QZDB03-SG	45" x 20" x 9"	1128mm x 500mm x 230mm	20" x 17"	508mm x 422mm	16275/-



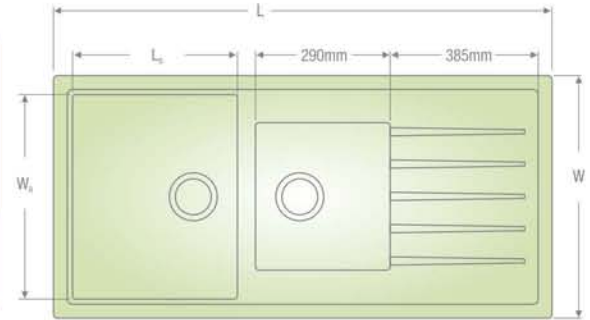
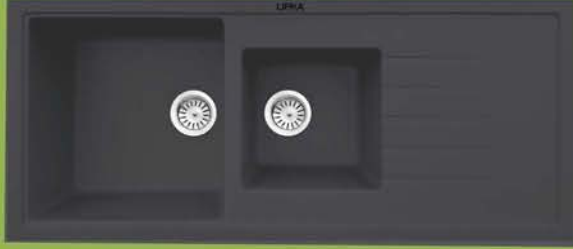
DOUBLE BOWL (CHOCO BROWN)



ART NO.	OVER ALL SIZE (L x W x D)		BOWL SIZE (L x W)		QUARTZ
	INCHES	MM	INCHES	MM	M.R.P in ₹ (Per Pc.)
QZDB02-CB	37" x 18" x 10"	926mm x 450mm x 230mm	16" x 15"	413mm x 379mm	14805/-
QZDB03-CB	45" x 20" x 9"	1128mm x 500mm x 230mm	20" x 17"	508mm x 422mm	16275/-



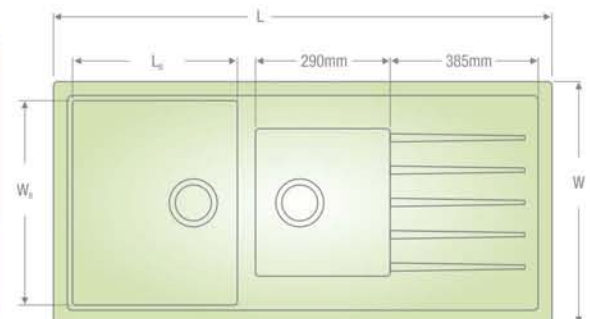
DOUBLE BOWL WITH DRAIN BOARD SINK (BLACK)



ART NO.	OVER ALL SIZE (L x W x D)		BOWL SIZE (L x W)		QUARTZ
	INCHES	MM	INCHES	MM	M.R.P in ₹ (Per Pc.)
QZDBD-18-B	45" x 20" x 9"	1146mm x 493mm x 230mm	15½" x 16"	395mm x 415mm	18620/-



DOUBLE BOWL WITH DRAIN BOARD SINK (SAND PLUTO)

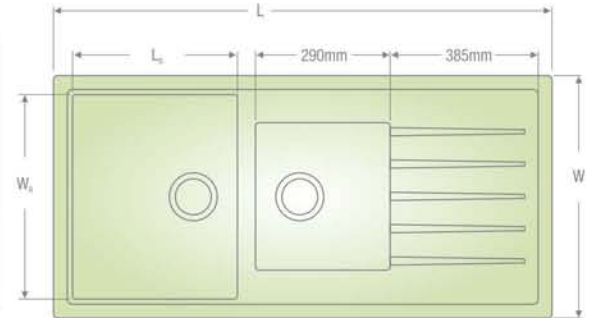
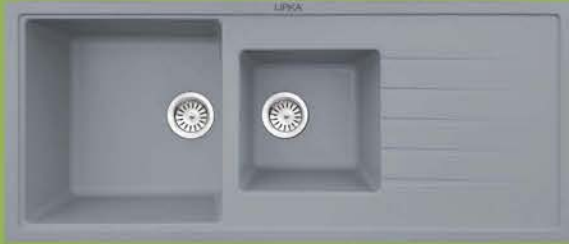


ART NO.	OVER ALL SIZE (L x W x D)		BOWL SIZE (L x W)		QUARTZ
	INCHES	MM	INCHES	MM	M.R.P in ₹ (Per Pc.)
QZDBD-18-SP	45" x 20" x 9"	1146mm x 493mm x 230mm	15½" x 16"	395mm x 415mm	18620/-



QUARTZ KITCHEN SINK

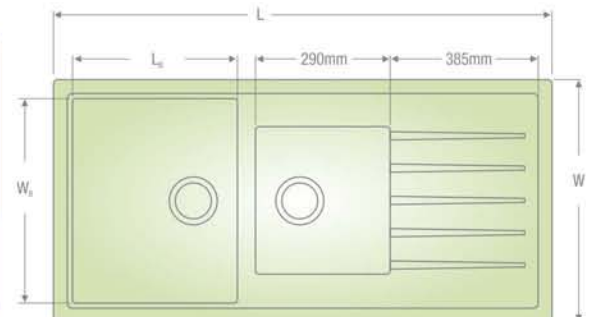
DOUBLE BOWL WITH DRAIN BOARD SINK (SMOKE GREY)



ART NO.	OVER ALL SIZE (L x W x D)		BOWL SIZE (L x W)		QUARTZ
	INCHES	MM	INCHES	MM	M.R.P in ₹ (Per Pc.)
QZDBD-18-SG	45" x 20" x 9"	1146mm x 493mm x 230mm	15½" x 16"	395mm x 415mm	18620/-



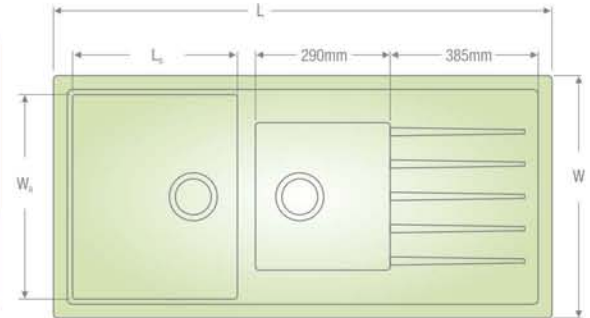
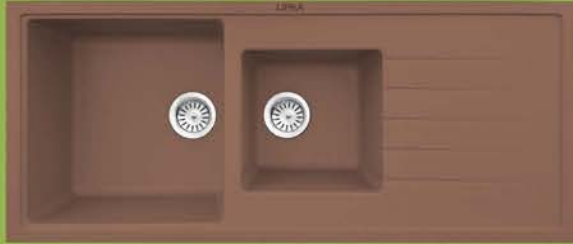
DOUBLE BOWL WITH DRAIN BOARD SINK (CRYSTAL WHITE)



ART NO.	OVER ALL SIZE (L x W x D)		BOWL SIZE (L x W)		QUARTZ
	INCHES	MM	INCHES	MM	M.R.P in ₹ (Per Pc.)
QZDBD-18-CW	45" x 20" x 9"	1146mm x 493mm x 230mm	15½" x 16"	395mm x 415mm	18620/-



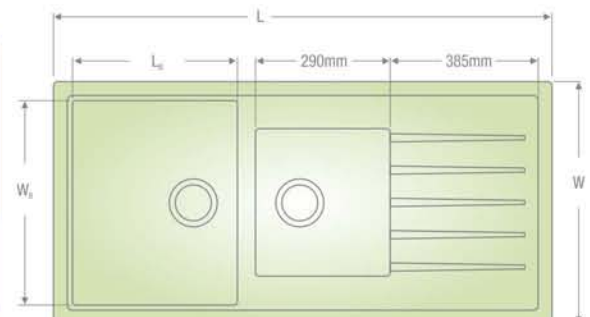
DOUBLE BOWL WITH DRAIN BOARD SINK (CHOCO BROWN)



ART NO.	OVER ALL SIZE (L x W x D)		BOWL SIZE (L x W)		QUARTZ
	INCHES	MM	INCHES	MM	M.R.P in ₹ (Per Pc.)
QZDBD-18-CB	45" x 20" x 9"	1146mm x 493mm x 230mm	15½" x 16"	395mm x 415mm	18620/-



DOUBLE BOWL WITH DRAIN BOARD SINK (SAND CHOCO)



ART NO.	OVER ALL SIZE (L x W x D)		BOWL SIZE (L x W)		QUARTZ
	INCHES	MM	INCHES	MM	M.R.P in ₹ (Per Pc.)
QZDBD-18-SC	45" x 20" x 9"	1146mm x 493mm x 230mm	15½" x 16"	395mm x 415mm	18620/-



QUARTZ KITCHEN SINK

DOUBLE BOWL (BLACK)



SINK COUPLING



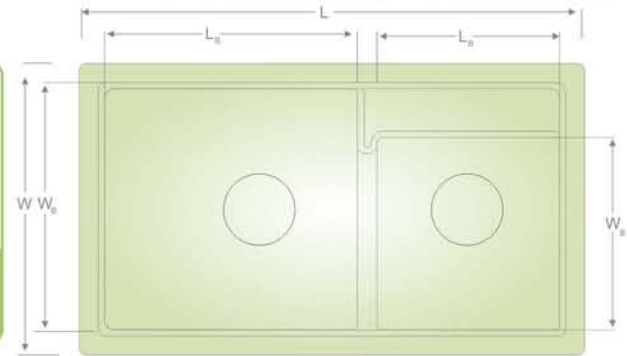
WASTE PIPE



DOUBLE BOWL CONNECTOR



VEGETABLE BASKET



ART NO.	OVER ALL SIZE (L x W x D)		BOWL SIZE (L x W)		QUARTZ
	INCHES	MM	INCHES	MM	M.R.P in ₹ (Per Pc.)
QZDB13-B	31" x 18" x 9"	775mm x 458mm x 212mm	15" x 14"(B) 11" x 11"(S)	381mm x 356mm 279mm x 279mm	16785/-
QZDB12-B	34" x 20" x 9"	885mm x 493mm x 228mm	18.5" x 17"(B) 12.5" x 11.5"(S)	470mm x 432mm 318mm x 292mm	15800/-





SINK COUPLING- ROUND 4½ (114 MM)

Product	Article	M.R.P.- ₹/ Pc
SCR4	821A	290/-
SCR4-304	821B	340/-



SINK COUPLING- SQUARE 4½ (114 MM)

Product	Article	M.R.P.- ₹/ Pc
SCS4	821C	335/-



WASTE COUPLING FULL THREAD

Product	Article	Size	M.R.P.- ₹/ Pc
WCFT 3	614A	3"	280/-
WC FT 5	614B	5"	415/-



WASTE COUPLING HALF THREAD

Product	Article	Size	M.R.P.- ₹/ Pc
WC-HT 3	615A	3"	280/-



BRASS

WASTE COUPLING POP-UP

Product	Article	Size	M.R.P.- ₹/ Pc
WC-PP	620	3"	760/-



WASTE PIPE SUPER FLOW

Product	Article	Size	M.R.P.- ₹/ Pc
WP30	996A	30"	90/-

Packing Per Box In Pcs. 10pcs.



FLEXIBLE WASTE PIPE (CHROME PLATED)

Product	Article	Size	M.R.P.- ₹/ Pc
WP-CP	997	30	190/-

Packing Per Box In Pcs. 10pcs.



FLEXIBLE WASTE PIPE

Product	Article	Size	M.R.P.- ₹/ Pc
WP-WH	1174	35	115/-

Packing Per Box In Pcs. 10pcs.

* Without Waste Pipe



DOUBLE BOWL CONNECTOR

Product	Article	M.R.P.- ₹/ Pc
DBC	937	350/-



SOUND DEADENING PAD

Product	Article	M.R.P.- ₹/ Pc
SDP	1001	125/-



VEGETABLE BASKET ADJUSTABLE

Product	Article	M.R.P.- ₹/ Pc
SVBA	2002	625/-



AUTOMATIC WASHING MACHINE ADAPTER

Product	Article	M.R.P.- ₹/ Pc
AWMA	2003	105/-

Packing Per Box In Pcs. 10pcs.



RO TAP

Product	Article	M.R.P.- ₹/ Pc
RT	2004	830/-



SYDNEY ANGLE VALVE (WITH FLANGE)

Article	Packing Per Box In Pcs.	M.R.P.- ₹/ Pc
373	4 Pcs.	535/-



BOSTON ANGLE VALVE (WITH FLANGE)

Article	Packing Per Box In Pcs.	M.R.P.- ₹/ Pc
363	4 Pcs.	550/-



CHICAGO ANGLE VALVE (WITH FLANGE)

Article	Packing Per Box In Pcs.	M.R.P.- ₹/ Pc
364	4 Pcs.	570/-

Lipka Warranty Terms

Terms and Conditions:

- LIPKA extends this warranty to the original/first purchaser for personal household use of the Product in its original location. The warranty is non-transferable.
- The Warranty against any Product shall commence from the date of the purchase of unit and can be availed if the valid proof of purchase and warranty card is shown to Authorized Service Personnel at the time of repairs. Customers are therefore required to keep original invoice and warranty card safely. Repair or replacement will be carried out by company's service Centre or its authorized services associates.
- If in any case there is no service centre available or authorized Service Personnel nearby your place, then the customer will have to deliver the product on registered company address and if sending the product through courier, then customer is liable to pay courier charges.
- If the Product is installed beyond the municipal limits of LIPKA India's Branch Office /Authorized Service Franchisee locations, any and all costs and expenses incurred for repair/service of the Products in respect of a) to and from travel of service personnel and b) transportation of the Product and /or spare parts and/or components from the location of LIPKA India's branch office or Authorized Service Franchisee to customer's location and back shall be borne wholly and solely by the customer at the prevailing rates, and LIPKA India shall not be liable for any damage caused to the Product in transit or delivery for repair.
- This warranty does not cover instances of negligence, misuse, abuse, improper installation, carelessness, accident, hard water or mineral deposits, exposure to corrosive materials, misapplication, damages caused by improper maintenance, alteration of the product, or failure to follow care or installation instructions enclosed with your product. Avoid using abrasive cleaners such as powders, bleach, ammonia, alcohol, or chlorine. Avoid using abrasive pads, steel wool, or wire brushes, as these will damage and wear down the finish.
- This warranty does not cover labour charges or costs of removal and reinstallation of said product. This warranty does not allow recovery of incidental or consequential damages, such as loss of use, delay, property damage, or other consequential damages, and LIPKA accepts no liability for such damage.
- The company and its authorized service centre reserves the right to retain any part/s or component/s replaced at its discretion in the event of a defect noticed in the product during the warranty period.
- Company may at its discretion replace the faulty part (s) with functionally new operative part (s).
- In case of any damage to the product / customer abuse / repairs by unauthorized personnel / misuse detected / by the authorized service personnel, the warranty conditions are not applicable and repairs will be subject to availability of parts and on a chargeable basis only.
- Replacement of parts would be purely at the discretion of LIPKA alone. In case replacement of the entire unit is being made, (Subject to the sole discretion of LIPKA), the same model shall be replaced in the event such model has been discontinued, it shall be replaced with the model of price equivalent at the time of purchase.
- If any colored internal or external components are replaced, there will be no commitment to ensure that the shades match with the original or other components. The replaced shades, patterns, tints may vary from the customer's unit due to continuous usage of the unit. Any matching components changed at customer's request will be on chargeable basis except the components which actually needed.
- While the company will make every effort to carry out repairs at the earliest, it however is made expressly clear the company is under no obligation to do so in a specified period of time.
- This warranty shall not cover any consequential liability, damage or loss to property or life arising directly or indirectly out of any damage in the LIPKA products. The company's obligation under this warranty shall be limited or repair or providing replacement of defective parts only under the warranty period.
- The warranty does not cover demonstration / installation of the product purchased.
- The warranty does not cover components like washer, Rubbers, Springs and other plastic items.
- The warranty doesn't cover any accessories external to the product. After completion on one year, in case/s other than manufacturing defects are found in LIPKA products, standard labor and parts charges will be collected customers, as per prevailing rates of the company.
- If any dispute arises between the Company and the customer, in respect of the above warranty, neither shall commence any court or arbitration proceedings relating to the dispute unless they have first complied through mediation.
- In case of any disputes, the same is subject to exclusive jurisdiction of the courts of Delhi.

Warranty Coverage :

Warranty Chart		
Product Category	Domestic Use Warranty Period	Commercial Use Warranty Period
CP Fittings (Faucets/Diverter/Concealed Bodies/Wall Mixers/Basin Mixers/Angle Valves)	7 Years	1 Year
S.S. - Sink	Lifetime*	1 Year
ABS - Overhead Shower/Hand Shower/Health Faucet	1 Year	1 Year
S.S. - Overhead Shower	1 Year	1 Year
Health Faucet - ABS / Brass	1 Year	1 Year
Flexible Hose Pipe, Connection Tubes / Coupling	1 Year	1 Year
P.T.M.T - Faucets / Accessories	3 Years	1 Year
S.S. - Gratings / Traps	7 Years	1 Year
S.S. - Accessories / Allied Items	3 Years	1 Year

*Lifetime is 20 Years

Warranty Registration



Lipka Plumber Coupon

LIPKA HOME

एप डाउनलोड करें, स्कैन करें जीते नगद इनाम
Download Lipka Plumber APP
Scan QR Code & Win Cash Prize

upto ₹100/-

केवल प्लंबर भाईयों के लिए
www.lipkahome.com

Coupon No. : XXXXXXXXXXXXXXXX

Available on the App Store and Google Play

STEP 01

Buy a Lipka product.

STEP 02

Scratch the coupon to get a 18-digit code/QR Code

STEP 03

Download Lipka Plumber App from Google Play Store, follow the onscreen instructions. Scan the QR code

STEP 04

Get Cash in your Bank Account

LIPKA GROUP OF COMPANIES, a leading brand in the Kitchen & Bath Fittings dominion, began its journey in 2009 with manufacturing floor drains and shower drain channels. Within 10 years, the company became a front-runner in the market through its most-selling, 100% indigenously manufactured floor drains with over 1000 plus remarkable designs and sizes. The Company was the first Indian brand that manufactured shower drain channels and made them accessible to not only the luxurious segments but also to the regular households.



KAPIL GUPTA
(FOUNDER, LIPKA GROUP OF CO.)

Needless to say, the massive visualization of the Company took its shape by spreading its manufacturing bustle onto major product verticals like Kitchen Sinks, Faucets, PTMT Products, Overhead Showers, Bathroom Accessories, and other associated equipment. As a consequence of its hard work, inventions, and patronage from its cultivated consumers, the Company has since made and sold millions of products and grown stronger in the market.

Every product, concept, and design by LIPKA is inspired by the burgeoning desire for style and aesthetic appeal among Consumers in India. With over 7 manufacturing units and warehouses spread across a whopping 70,000 sq. ft. in New Delhi, the Company produces merchandise from scratch, thereby upholding the dream of 'Make in India'. LIPKA has over 5000 stock-keeping units (SKU) that move forward with a tall promise of dispatching orders within 24 hours.

The Company, by judiciously utilizing two of its most essential assets; the LIPKA brand and an extraordinary distribution network, is expanding its product portfolio to meet the escalating requirements of diverse Indian customers. It has set its sights on each of these criteria, embracing new manufacturing processes to improve the quality of its products, whether it's innovation, technology, research, style, or craftsmanship. The design combines originality and exclusivity courtesy of our team's ingenuity and creative abilities. By duly considering the importance of sustainability in the present climatic scenario, the Company promotes green manufacturing through state-of-the-art automatic machinery and provides eco-friendly packaging for its products.

LIPKA, today takes pride in being the first company that educated the Indian populace about healthy living while emphasizing the essentiality of 304-Grade Stainless Steel, the operational details of a cockroach trap, the importance of installing an appropriate floor drain concerning the functionality and décor of the space, and so on. Apart from this, the Company also maintains its focus on spreading information about the features and utility of basic devices installed in homes that are usually overlooked like – kitchen sink couplings, handmade kitchen sinks, faucet aerators, basin mixers, etc. The company endeavors to communicate rudimentary information about the elementary household and lifestyle needs concerning bathroom and kitchen fixtures internationally.

Please Scan QR Code To Download Catalogue



BRASS FAUCETS



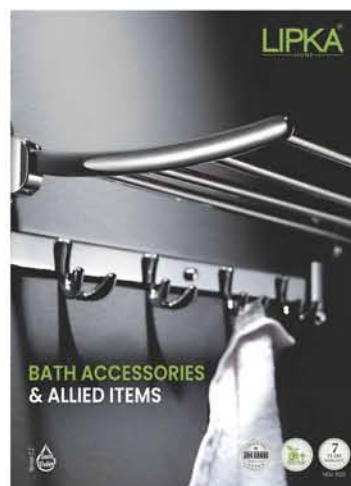
KITCHEN SINKS



FLOOR DRAINS



P.T.M.T FAUCETS



BATH ACCESSORIES & ALLIED ITEMS





Please Scan QR Code To
Download Catalogue

LIPKA GROUP OF COMPANIES

Corporate Office : 703 Aggarwal Corporate Heights, 7th Floor, Netaji Subhash Place, Delhi-110034

Works : 24/11 & 24/12, Gali No 6, Libaspur Industrial Area, New Delhi-110042

+91-9311377920 help@lipkahome.com

www.lipkahome.com



Scan for our
Social Media Handles



Customer Care 1800 212 2830 (Toll Free)