

# CLIFF

ENG

**ELECTRIC SAUNA HEATER**

**3-13**

FR

**POÊLE ÉLECTRIQUE**

**15-25**



**IPX4**



[info@huumsauna.com](mailto:info@huumsauna.com)

[www.huumsauna.com](http://www.huumsauna.com)



# CLIFF

## ELECTRIC SAUNA HEATER

### Installation and operation manual

**NB!** The following instructions for electrical works must be carried out by a certified electrician.

**NB!** We recommend a specialist to lay the stones on the heater.

**NB!** This appliance is not intended for use by persons (including children) with reduced physical, sensory or mental capabilities, or lack of experience and knowledge, unless they have been given supervision or instruction concerning use of the appliance by a person responsible for their safety.

**NB!** Children should be supervised to ensure that they do not play with the appliance.

**NB!** The installation instructions for appliances for public saunas that do not have a timer shall state that a pilot lamp showing that the heater is switched on is to be installed in the attendant's room.

The safety of the products is based on EN 60335-2-53: 2011 "Household and similar electrical appliances. Safety. Part 2-53: Particular requirements for sauna heating appliances and infrared cabins".

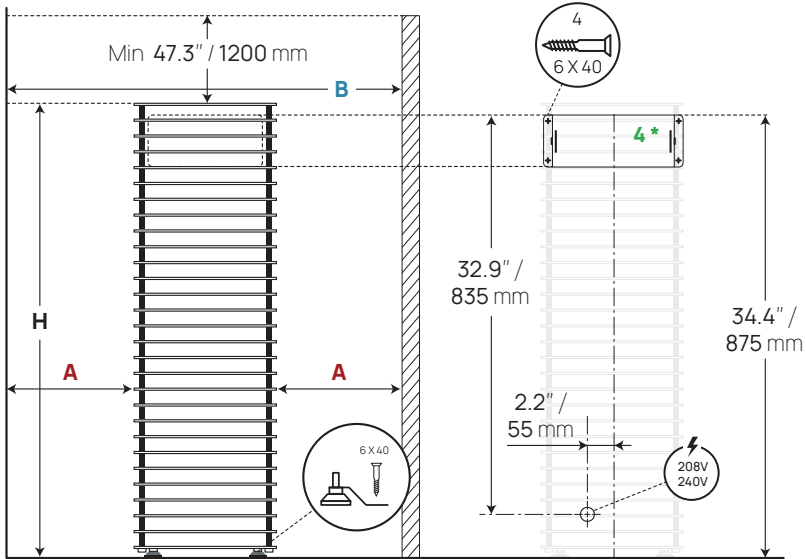
The HUUM CLIFF electric sauna heater delivery set contains:

- electric heater;
- installation and operation manual for the electric heater.
- 2 blocks for disassembling the slats of the sauna stove.

**NB!** The electric heater requires a control panel and stones.

## THINGS TO CHECK BEFORE INSTALLATION

- Does the output (kW) match the volume (ft<sup>3</sup>/m<sup>3</sup>) of the sauna room? See Table 1-2.
- In case there are any uninsulated brick, tile or glass walls in the sauna room, an additional volume of 53 ft<sup>3</sup> (1.5 m<sup>3</sup>) should be added to the sauna room for each 11 ft<sup>2</sup> (1 m<sup>2</sup>) of the wall.
- The suitable output of the heater will be determined based on Table 1-2.
- The producer's warranty guarantee is invalid if the heater and sauna room have been dimensioned incorrectly!
- Minimal safe distances between the sauna room's ceiling and walls in view of installing the electric heater are listed in Table 3.
- The 6, 9 and 11 CLIFF models are attached to the floor by using the accompanying brackets. Install the bracket to the heater leg as shown below and fix it to the floor with a suitable screw (preferably minimum of 6 x 40mm).



\* CLIFF Mini 4 is attached to the wall with a special bracket  
See CLIFF Mini 4 heater data in the table below.

Table 1	Output kW (240 V)	Room	Amps A	Circuit breaker A	Wire size AWG
CLIFF Mini 4	3.8	124-212 ft <sup>3</sup> 3,5-6 m <sup>3</sup>	14.58	20	12
CLIFF 6	6.4	176.5-353 ft <sup>3</sup> 5-10 m <sup>3</sup>	25	30	10
CLIFF 9	9.4	318-530 ft <sup>3</sup> 9-15 m <sup>3</sup>	37.5	50	8
CLIFF 11	11.3	353-600 ft <sup>3</sup> 10-17 m <sup>3</sup>	43.75	50	6

Table 2	Output kW (208 V)	Room	Amps A	Circuit breaker A	Wire size AWG
CLIFF Mini 4	2.85	106-160 ft <sup>3</sup> 3-4.5 m <sup>3</sup>	12.5	20	12
CLIFF 6	4.8	160-265 ft <sup>3</sup> 4.5-7.5 m <sup>3</sup>	21.63	30	10
CLIFF 9	7.1	230-388 ft <sup>3</sup> 6.5-11 m <sup>3</sup>	32.45	40	8
CLIFF 11	8.5	265-441 ft <sup>3</sup> 7.5-12.5 m <sup>3</sup>	37.98	50	6

Table 3	A	B	H	Width/ Depth	Weight
CLIFF Mini 4	2.36 in 60 mm	15.35 in 390 mm	38.4 in 975 mm	10.6 in/6.3 in 270 mm/160 mm	33 lb 15 kg
CLIFF 6	2.36 in 60 mm	15.35 in 390 mm	38.4 in 975 mm	10.6 in/ 10.6 in 270 mm/270 mm	35.2 lb 16 kg
CLIFF 9	9.45 in 240 mm	29.5 in 750 mm	38.4 in 975 mm	10.6 in/ 10.6 in 270 mm/270 mm	35.2 lb 16 kg
CLIFF 11	15 in 380 mm	40.5 in 1030 mm	38.4 in 975 mm	10.6 in/ 10.6 in 270 mm/270 mm	37.5 lb 17 kg

## INSTALLATION

### Positioning the heater

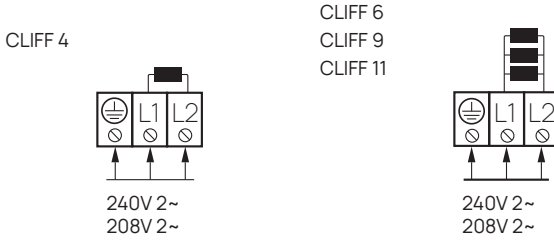
- The heater must be positioned in such a way that there is a safe distance between flammable materials and the external surfaces of the heater. See Table 3.
- In installing the heater, it must be prevented that people could have physical contact with the heater or that other dangerous situations could emerge during the heating process.
- CLIFF Mini holds approximately 132 lb (60 kg) of stones and CLIFF holds approximately 165 lb (75 kg).
- The input of the power cable is located on the bottom cover of the heater.

### Connecting the heater to the power supply

- A method to disconnect all poles from the mains (a circuit breaker) must be installed on the power circuit before the sauna controller.
- Only a certified electrician is allowed to connect the heater to the power supply.
- The power cable of the heater must meet the requirements of UL 62 in US and CSA 49 in Canada.
- It is recommended to connect the unit to the mains without an earth-leakage circuit breaker.
- The maximum current intensity in the cross-sectional area of the cable and circuit breaker are listed in Table 1 and Table 2.
- The cable must be secured to the clamp on the cover screw.

**NB!** It is forbidden to use a non-heat-resistant cable with PVC isolation as the power cable. The joint box must be waterproof and it must be located up to 20 in (50 cm) from the floor.

- Open the cover of the heater's electrical box.
- Attach the power cable on the terminal block according to the circuit diagram.
- Close the cover.
- Fix the cable on the output with a cable strap.

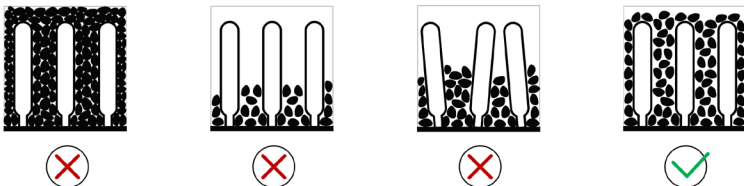


## Fitting the stones

- Make sure that the heating elements are not bent during the process.
- There must be sufficient air circulation around the heater elements.
- We recommend washing the stones before filling the receptacle.
- Stack the stones sparsely between the heating elements. If the stones have been stacked too close to each other, the heating elements may overheat (= shorter useful life) and slow the heating of the sauna.
- Stones with a diameter of 1.2-1.9 in (3-5 cm) are suitable for the heater.
- The stones on the external surface of the heater must be stacked close to one another. The heating elements must not be visible.
- Using ceramic stones in the CLIFF heater is allowed at the user's responsibility.

**ATTENTION!** Too sparsely filled stone container causes fire hazard!

**NB!** We recommend a specialist to lay the stones on the heater.

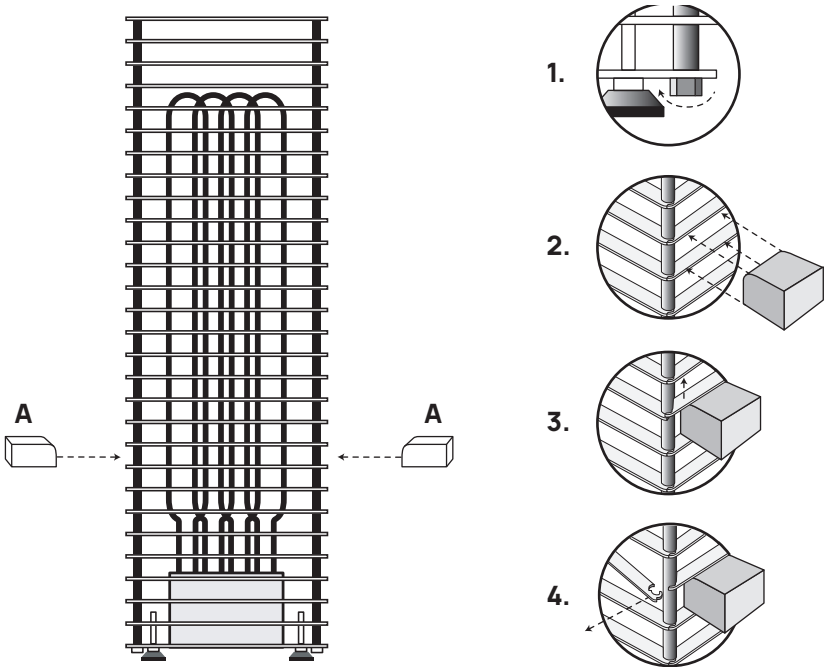


## Removing the ribs of the heater

For fitting the stones, all of the ribs are removable by props (A).

1. On the bottom of the heater, release the nuts of the threaded rod by 5 mm.
2. Push the props between the ribs of the heater.
3. Release the rib from both ends.
4. Carefully remove the rib from the joint, first from the right end and then the left.

**NB!** Pull the rib away from the heater without using force or turning the rib – avoid bending the tenons!



The rib under the removed rib is instantly removable in a similar fashion.

The procedure is reversed for putting the ribs back. The rib must be attached to the joint from the left end first and then from the right.



## First-time use of the sauna heater

Before switching the heater on, the insulation resistance might prove to be lower than the standard. The reason for that is the moisture seeped into the insulating layer during storage in the warehouse and transportation.

The moisture evaporates in 1–2 hours of heating the electric heater.

## Controlling the heater

All certified control panels may be used in controlling the heater. The output of the heater must remain in the interval determined by the control panel's producer.

Product can be used only with controlunit with timer function. Including other than those for installation in public saunas, shall be provided with a timer. For appliances for use in blocks of flats, hotels and similar locations, the operating period of the sauna heater shall be limited to 12 h with a minimum rest period of 6 h before any automatic restarting. For other appliances, the operating period of the timer shall be limited to 6 h, automatic restarting not being allowed.

## Guard rails

- It is recommended to construct a guard rail around the heater. We recommend using materials with low heat capacity and bad thermal conductivity for the guard rail.
- Upon using flammable materials, it is necessary to leave the specified minimal safety clearances between the heater and flammable constructions.

**ATTENTION! IF THE HEATER IS INSTALLED CLOSER TO FLAMMABLE CONSTRUCTIONS THAN AT THE DISTANCE OF THE MINIMAL REQUIRED PROTECTION BELT IT MAY CAUSE A FIRE HAZARD!**

## SAUNA ROOM

### Wall materials and insulating the sauna room

In a sauna with electric heating, all massive heat accumulating wall surfaces (brick, glass brick, rendering etc.) must be insulated to use the electric heater with a regular output.

**The following sauna wall and ceiling construction is considered to be sufficiently insulated:**

- a carefully installed insulation wool layer of 4 in, minimum 2 in (100 mm, min. 50 mm);
- the construction is damp proofed with taped aluminium paper or other reflective material;
- there is a 0.4 in (10 mm) air gap between the damp protection and boarding
- light wooden boards with about a 0.5-0.65 in (12-16 mm) thickness have been used for interior finishing;
- there is an air gap of at least 0.2 in (5 mm) on the edge of the ceiling panels at the upper part of the wall panelling.

In order to use the heater with a regular output, it would be practical to bring the ceiling of the sauna lower regular 86.6 - 91 in, min. height of sauna room 86.6 in (2200-2300 mm, min. height of sauna room 2200 mm) so that the volume of the sauna room diminishes. The ceiling is insulated with an insulation layer at least 4 in (100 mm) thick and boarded according to the method described above. Wood should be used to cover internal surfaces; an exception may be made for heat resistant walls in the vicinity of the heater.

**ATTENTION!** Insulating the heat barrier has to be approved by the fire inspector. Insulating flues in use is forbidden!

**NB!** Covering the walls or floor with light protective material, for example, mineral tiles that are installed directly on the surface of the walls or ceiling might cause the dangerous overheating of the wall or ceiling material.

## Floor of the sauna room

The heater stones in use crumble due to temperature changes. The pieces and pebbles breaking away from the heater stones are washed on the sauna's floor with the steam-making water. Hot stone parts may damage plastic flooring under and near the heater.

Heater stone particles and sprays from the steam-making water (e.g., with iron content) may absorb into the light joints of a tile floor. In order to avoid aesthetic damage (caused by the reasons mentioned above), ceramic tiles and dark joint filler should be used under and around the heater.

## Ventilation of the sauna

- In order to guarantee a sufficient supply of oxygen and fresh air, the sauna's ventilation must be as efficient as possible. It is advisable to direct the fresh air into the sauna room from above the heater stones.
- As an alternative, the fresh air may be directed in from under the heater.
- The air inlet must be equipped with an adjustable valve.
- The exhaust valve must be installed in the opposite wall from the inlet valve at least 7.9 in (20 cm) above the height of the inlet valve.
- It is advised to install a ventilation valve at the upper part of the sauna room for the final ventilation

## WARNING!

- Before turning on the electric heater, always check the sauna room and heater.
- The heater may be used only when it has been correctly filled with stones.
- Do not cover the heater—this causes fire hazard.
- Do not touch a working heater, it causes burns.
- Incorrect ventilation of the sauna room may dry the wood too much and cause a fire hazard in the sauna.
- Only tap water may be used for making steam.
- Never make steam by using a water hose.
- There must always be at least 2 in (5 cm) of fireproof heat insulation under the boarding.
- Sauna doors must always open outwards.
- Do not use the sauna for a purpose it is not intended for.
- Do not install more than one heater into the sauna room.
- Undiluted sauna essences etc. may ignite when poured directly onto the stones.
- Do not leave small children unattended in the sauna.
- Sudden cooling after staying in the steam room is not recommended for people with poor health. Consult a doctor.
- Enjoy the sauna as long as it is comfortable for you.
- Keep this information at a safe place.
- The product's warranty guarantee does not extend to heating elements.

## WARRANTY

Buyer is obligated to read user manual and follow instructions and requirements presented. Damage to the product caused by not following instructions and requirements will void warranty.

If any defects are found on the product, where manufacturer can be blamed, then buyer has the right to demand fixing or replacing the product. Demands must be made not later than 5 years after buying the product. Purchase receipt needs to be presented when warranty demands are made.

### Warranty Terms

- Warranty applies only to electric heaters that have been used according to the manual
- NB! Warranty does not cover heating elements. They are considered as consumable parts.
- Warranty does not cover wear that occurs from natural usage.
- Warranty does not imply when:
  - damage or defects are caused by transportation or other actions not controlled by manufacturer;
  - product has been damaged by carelessness or overload;
  - product has not been installed correctly;
  - product has been modified in any way;
  - warranty period is over;
  - product is not complete.

All demands shall be presented directly to reseller or using e-mail for Canada: [canada.support@huumsauna.com](mailto:canada.support@huumsauna.com) or for USA: [usa.support@huumsauna.com](mailto:usa.support@huumsauna.com)

**Find the latest updates on our website [www.huumsauna.com](http://www.huumsauna.com)**



# CLIFF

## POÊLE ÉLECTRIQUE AVEC RÉCEPTACLE À PIERRES POUR SAUNA

### Notice de montage et d'utilisation

**NB!** Les instructions mentionnées ci-après relatives aux travaux électriques doivent être effectuées par un électricien agréé.

**NB!** Il est recommandé de confier la pose des pierres sur le réceptacle à un spécialiste.

**NB!** Cet appareil ne doit pas être utilisé par des personnes (y compris des enfants) dont les capacités physiques, sensorielles ou mentales sont diminuées, ou encore qui manquent d'expérience et de connaissances, à moins qu'elles n'aient été supervisées ou instruites sur l'utilisation de l'appareil par une personne responsable de leur sécurité.

**NB!** Les enfants doivent être surveillés afin qu'ils ne puissent pas jouer avec cet appareil.

**NB!** Les instructions concernant l'installation d'appareils pour saunas publics qui ne sont pas équipés d'une minuterie doivent mentionner l'obligation d'installer dans la pièce attenante du sauna un voyant lumineux indiquant que le poêle est allumé.

La sécurité des produits est conforme à la norme EN 60335-2-53: 2011 «Appareils électriques ménagers et analogues. Sécurité. Partie 2-53: Règles particulières pour les appareils de chauffage de saunas et les cabines infrarouges».

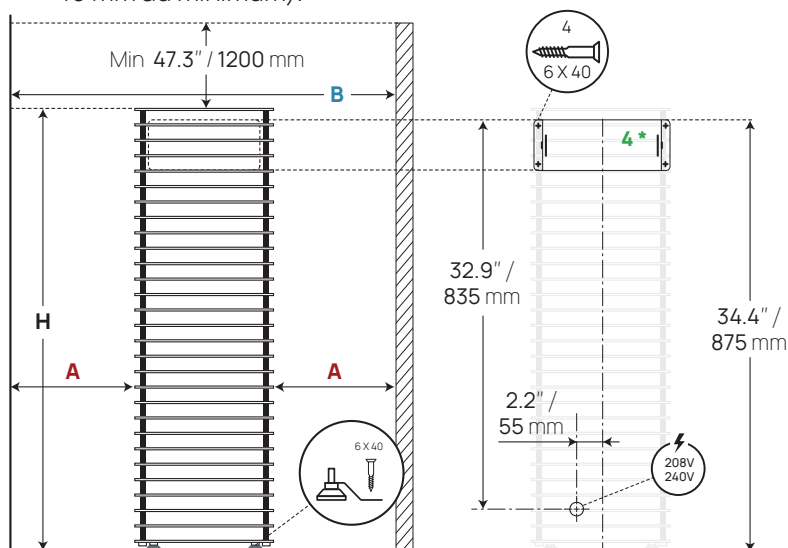
Tous les composants du poêle doivent être installés comme prévu dans la notice. Le poêle HUUM CLIFF est livré avec les composants suivants:

- poêle avec réceptacle à pierres;
- notice d'utilisation et de montage;
- 2 coins de démontage des traverses de réceptacle à pierre.

**ATTENTION !** Le poêle est commandé à l'aide d'une télécommande. Avant la mise en marche le réceptacle du poêle doit être rempli de pierres.

## VEUILLEZ CONTRÔLER AVANT DE PROCÉDER AU MONTAGE

- La puissance du poêle (kW) correspond-elle au volume de la pièce chaude du sauna (m<sup>3</sup>) ? Voir le tableau 1-2.
- Si dans la pièce chaude il y a des murs en briques, en carreaux céramiques ou de verre sans isolation thermique, pour chaque mètre carré d'un tel mur il faudra compter 1,5 m<sup>3</sup> de volume supplémentaire.
- À l'aide du tableau 1-2 on détermine une puissance conforme du poêle en fonction du volume de la pièce chaude du sauna.
- La garantie du fabricant ne s'appliquera pas, si la puissance du réceptacle à pierre a été mal calculée !
- Les distances minimales de sécurité pour le plafond et les murs de la pièce chaude par rapport au poêle sont indiquées dans le tableau 3 et sur la figure ci-dessous.
- Fixez au sol les modèles CLIFF 6, 9 et 11 à l'aide des supports fournis. Montez le support sur le pied du réceptacle à pierres comme indiqué ci-dessous et vissez-le au sol avec une vis (6 x 40 mm au minimum).



\*On fixe le poêle CLIFF Mini 4 au mur à l'aide d'un support spécial  
 Pour en savoir plus sur les caractéristiques techniques  
 du poêle CLIFF Mini 4 veuillez voir le tableau ci-dessous.



Tableau 1	Sortie kW (240 V)	Pièce	Amps A	Disjoncteur A	Taille du câblage AWG
CLIFF Mini 4	3.8	124-212 ft <sup>3</sup> 3,5-6 m <sup>3</sup>	14.58	20	12
CLIFF 6	6.4	176.5-353 ft <sup>3</sup> 5-10 m <sup>3</sup>	25	30	10
CLIFF 9	9.4	318-530 ft <sup>3</sup> 9-15 m <sup>3</sup>	37.5	50	8
CLIFF 11	11.3	353-600 ft <sup>3</sup> 10-17 m <sup>3</sup>	43.75	50	6

Tableau 2	Sortie kW (208 V)	Pièce	Amps A	Disjoncteur A	Taille du câblage AWG
CLIFF Mini 4	2.85	106-160 ft <sup>3</sup> 3-4.5 m <sup>3</sup>	12.5	20	12
CLIFF 6	4.8	160-265 ft <sup>3</sup> 4.5-7.5 m <sup>3</sup>	21.63	30	10
CLIFF 9	7.1	230-388 ft <sup>3</sup> 6.5-11 m <sup>3</sup>	32.45	40	8
CLIFF 11	8.5	265-441 ft <sup>3</sup> 7.5-12.5 m <sup>3</sup>	37.98	50	6

Tableau 3	A	B	H	Largeur/Profondeur	Poids
CLIFF Mini 4	2.36 in 60 mm	15.35 in 390 mm	38.4 in 975 mm	10.6 in/6.3 in 270 mm/160 mm	33 lb 15 kg
CLIFF 6	2.36 in 60 mm	15.35 in 390 mm	38.4 in 975 mm	10.6 in/ 10.6 in 270 mm/270 mm	35.2 lb 16 kg
CLIFF 9	9.45 in 240 mm	29.5 in 750 mm	38.4 in 975 mm	10.6 in/ 10.6 in 270 mm/270 mm	35.2 lb 16 kg
CLIFF 11	15 in 380 mm	29.5 in 750 mm	38.4 in 975 mm	10.6 in/ 10.6 in 270 mm/270 mm	37.5 lb 17 kg

## MONTAGE

### Montage du poêle

- Le poêle doit être positionné de façon à garantir des distances de sécurité par rapport aux matériaux inflammables. Voir le tableau 3.
- La position du poêle doit exclure le contact physique avec la personne étant dans la pièce chaude au moment du chauffage, ainsi que prévenir autres situations dangereuses.
- CLIFF Mini contient approximativement 60 kg de pierres et CLIFF contient approximativement 75 kg de pierres
- Les entrées du câble d'alimentation se trouvent sur le couvercle inférieur du poêle.

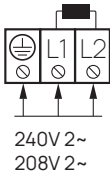
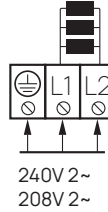
### Connexion au secteur

- Un dispositif de déconnexion de tous les poêles du réseau d'alimentation (un disjoncteur) doit être raccordé au circuit électrique avant l'unité de commande du sauna.
- Seul un électricien agréé est autorisé à raccorder le poêle à l'alimentation électrique..
- Le câble d'alimentation du poêle doit répondre aux exigences de la norme UL 62 aux États-Unis et CSA 49 au Canada.
- Il est recommandé de raccorder l'appareil au réseau sans dispositif à courant différentiel résiduel.
- L'intensité maximale du courant dans la section transversale du câble et du disjoncteur est indiquée au tableau 1-2.
- Le câble doit être sécurisé en le fixant à l'aide de l'attache présente sur la vis du couvercle.

**REMARQUE!** Il est interdit d'utiliser un câble non résistant à la chaleur avec une isolation en PVC comme câble d'alimentation. Le boîtier de jonction doit être étanche et il doit être situé à un maximum de 19.7 in (50 cm) du sol.

- Ôtez le couvercle du boîtier électrique du poêle.
- Connectez le câble d'alimentation au bornier comme indiqué au schéma de câblage.
- Fermez le boîtier électrique par le couvercle.
- Fixez le câble à l'aide d'un serre-câble.

CLIFF 4

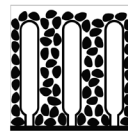
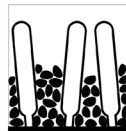
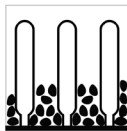
CLIFF 6  
CLIFF 9  
CLIFF 11

## Montage du poêle

- Remplissez le réceptacle à pierres avec précaution pour ne pas abîmer les résistances chauffantes et assurer une circulation d'air suffisante.
- Nous recommandons de laver les pierres avant d'en remplir le réceptacle.
- En posant les pierres entre les résistances chauffantes ne les serrez pas trop. Dans le cas contraire cela peut provoquer la surchauffe des résistances (donc, raccourcir leur durée de vie) et ralentir la montée en température de votre sauna.
- Le diamètre de pierres doit être de 1.2-1.9 in (3-5 cm).
- Les pierres doivent couvrir complètement les résistances chauffantes (les résistances ne doivent pas être visibles).
- L'utilisation de pierres céramiques dans le réceptacle à pierres CLIFF n'est autorisée qu'à vos risques et périls.

**ATTENTION!** Si le compartiment à pierres est trop peu rempli, il présente un risque d'incendie!

**NB!** Il est recommandé de confier la pose des pierres sur le réceptacle à un spécialiste.

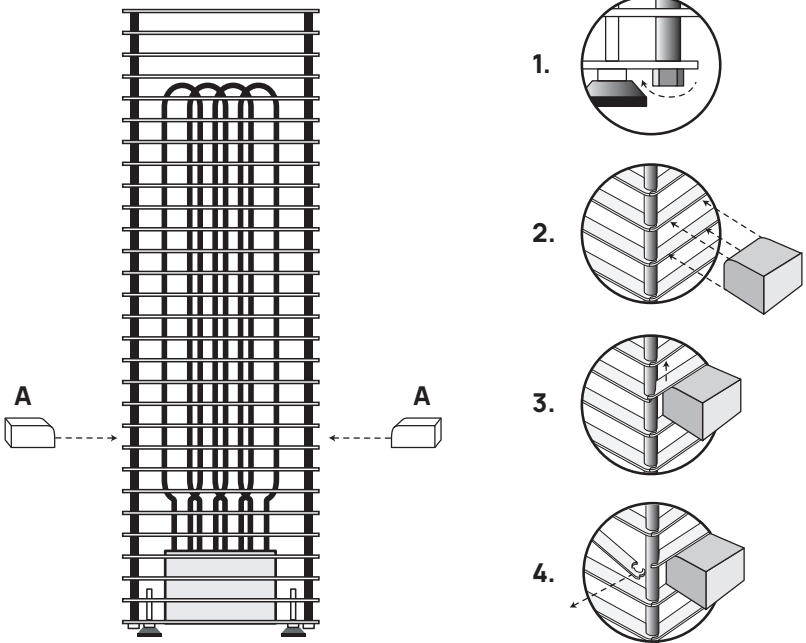


## Démontage des traverses de réceptacle à pierre

Pour poser les pierres on démonte les traverses à l'aide de coins (A).

1. Desserrer de 5 mm les écrous au bas de montants du poêle.
2. Insérer les coins entre les traverses.
3. Retirez la traverse de deux côtés avec précaution, tout d'abord du côté droit, ensuite du côté gauche.

**ATTENTION ! Retirez les traverses sans recours à la force et sans tordre pour ne pas déformer les tenons !**



Retirez ensuite de la même façon la traverse suivante au-dessous.

Montez les traverses dans l'ordre inverse. Insérer la traverse tout d'abord du côté gauche, puis du côté droit.

## La première mise en marche du poêle

Lors de la première mise en marche du poêle, la résistance d'isolation peut être temporairement inférieure à la normale. Cela est dû à l'humidité qui s'est infiltrée dans sa couche isolante pendant le stockage et le transport.

L'humidité va s'évaporer dans 1 ou 2 heures de chauffe.

## Commande du poêle

Toutes les unités de commande certifiées dotées d'un contrôle thermique peuvent être utilisées pour commander le poêle. La puissance du poêle doit rester dans l'intervalle déterminé par le fabricant de l'unité de commande.

Le produit ne peut être utilisé qu'avec une unité de commande dotée d'un minuteur. Ceux qui ne sont pas destinés à être installés dans des saunas publics doivent également être munis d'un minuteur. Pour les appareils destinés à être utilisés dans des immeubles, des hôtels et des lieux similaires, la durée de fonctionnement du poêle est limitée à 12 h, avec une période de repos minimale de 6 h avant tout redémarrage automatique. Pour les autres appareils, la durée de fonctionnement du minuteur est limitée à 6 h, le redémarrage automatique n'étant pas autorisé.

## BARRIÈRE DE SÉCURITÉ

- Il est recommandé d'installer une barrière de sécurité tout autour du poêle. Nous recommandons d'utiliser des matériaux ayant une faible capacité thermique et une mauvaise conductivité thermique pour la barrière de sécurité.
- Lors de l'utilisation de matériaux inflammables, il convient de respecter les distances de sécurité minimales imposées entre le poêle et les constructions inflammables.

**ATTENTION! LE NON-RESPECT DES DISTANCES MINIMALES REQUISES LORS DE L'INSTALLATION D'UN POÊLE AUGMENTE LE RISQUE D'INCENDIE!**

## PIÈCE CHAUDE

### Isolation thermique de la pièce chaude et matériaux muraux

Dans un sauna électrique, tous ses murs massifs accumulant de la chaleur (murs en briques ou briques de verre, murs enduits d'un crépi etc.) doivent être couverts d'un isolant thermique pour permettre d'utiliser un poêle de puissance normale.

#### Les murs et le plafond de sauna sont suffisamment isolés si :

- une laine de verre de 4 in (100 mm) d'épaisseur (minimum 2 in (50 mm)) a soigneusement été installée;
- le matériau isolant est revêtu de feuilles d'aluminium servant de pare-vapeur ou d'un autre matériau réfléchissant;
- entre le pare-vapeur et le revêtement en bois de la pièce chaude il y a un espacement de 0.4 in (10 mm) d'épaisseur assurant une circulation d'air ;
- les planches de revêtement sont de 0.5 à 0.65 in (12 à 16 mm) d'épaisseur;
- entre les planches de plafond et le revêtement mural il y a un espacement de 0.2 in (5 mm) au minimum assurant une circulation d'air.

Afin d'optimiser l'utilisation du poêle, il conviendrait d'abaisser le plafond du sauna (hauteur normale 86.6 à 90.6 in (2200 à 2300 mm), hauteur minimal 86.6 in (2200 mm) afin d'en réduire le volume. Le plafond doit être isolé par une couche d'isolation d'au moins 4 in (100 mm) d'épaisseur et revêtu de panneaux comme il est indiqué ci-dessus. Les surfaces intérieures doivent être recouvertes de bois, à l'exception des murs résistants à la chaleur situés près du poêle.

**ATTENTION ! L'isolation thermique des murs chauds doit être approuvée par l'inspecteur en sécurité-incendie. Il est interdit de revêtir de l'isolant thermique les cheminées utilisées !**

**ATTENTION ! La pose sur les murs ou le plafond de matériaux isolants ininflammables, p.ex., des panneaux isolants minéraux sans couche d'air, peut provoquer leur surchauffe dangereuse !**

## Plancher dans la pièce chaude

À cause des changements de température, les pierres s'effritent. Les petits morceaux qui se détachent de pierres sont emportés par l'eau jetée sur le réceptacle et tombent sur le plancher. Ces fragments chauds peuvent endommager le revêtement en plastique sous et autour du poêle.

Les gouttes d'eau chaude et les fragments de pierres (p.ex., contenant du fer) peuvent être absorbées par les joints clairs du carrelage. Pour préserver l'esthétique du sauna et faire face aux dégradations susmentionnées, il est recommandé de poser les carreaux de céramique sous et autour du poêle et de reboucher les joints par un enduit de couleur foncée.

## Ventilation du sauna

- Afin d'assurer un apport suffisant d'oxygène et d'air frais, la ventilation du sauna doit être la plus efficace possible. Il est conseillé de diriger l'air frais entrant dans le sauna vers le dessus des pierres chauffantes.
- L'entrée d'air peut également être placée sous le poêle du sauna.
- L'entrée d'air doit être équipée d'un clapet réglable.
- Le clapet d'évacuation d'air doit être installé dans la paroi opposée au clapet d'admission à au moins 7.9 in (20 cm) plus haut que la hauteur de celui-ci.
- Il est conseillé d'installer un clapet de ventilation supplémentaire dans la partie supérieure du sauna afin de ventiler complètement la pièce.

## ATTENTION !

- Veuillez toujours contrôler la pièce chaude et le poêle avant de mettre en marche le poêle.
- Le réceptacles à pierres de votre poêle doit être correctement rempli de pierres.
- Ne couvrez pas le poêle, – dans le cas contraire cela crée un risque d'incendie.
- Ne touchez pas le poêle chaud, car cela peut provoquer des brûlures.
- Une mauvaise ventilation de la pièce chaude peut entraîner un dessèchement excessif du bois et créer un risque d'incendie dans le sauna.
- Pour produire de la vapeur ne jetez sur les pierres que de l'eau du robinet.
- Il est interdit de projeter de l'eau sur les pierres avec un tuyau d'arrosage.
- Dans le sauna il est impératif de poser derrière le revêtement en bois au moins 2 in (5 cm) d'isolant thermique ignifuge.
- Les portes du sauna doivent toujours s'ouvrir vers l'extérieur.
- N'utilisez pas le sauna à des fins non conformes.
- N'installez pas plus d'un poêle dans la pièce chaude.
- Les huiles essentielles non diluées avec de l'eau, projetées sur les pierres chaudes, peuvent s'enflammer.
- Ne laissez pas les enfants sans surveillance dans le sauna.
- En cas de santé fragile, un refroidissement brusque après la séance dans la pièce chaude du sauna n'est pas recommandé. Veuillez consulter un médecin.
- Restez dans la pièce chaude du sauna aussi longtemps que cela reste confortable.
- Conservez cette notice dans un endroit sûr.
- La garantie du fabricant ne s'étend pas aux résistances électriques chauffantes.



# GARANTIE

L'acheteur est tenu de lire la notice d'utilisation du produit et de suivre les préconisations y énoncées. Les défauts de fonctionnement ou les pannes dus au non-respect du mode d'emploi ne sont pas couverts par la garantie du fabricant. En cas de défaut de fabrication ou d'une défaillance, dont le fabricant est responsable, l'acheteur aura le droit à la réparation ou au remplacement du produit défectueux au cours de 5 ans à compter de l'achat du produit. La garantie est basée sur la présentation d'un justificatif de paiement ou de la facture. Le droit de réclamation s'applique à condition que le produit ait été utilisé conformément aux instructions.

## Conditions de garantie

- La garantie s'applique uniquement aux poêles qui ont été utilisés conformément à la notice d'utilisation.
- ATTENTION ! La garantie ne s'étend pas aux résistances chauffantes considérées comme des pièces d'usure.
- La garantie ne s'étend pas sur l'usure normale du produit ou son utilisation non conforme.
- La garantie ne couvre pas les défauts causés par :
  - les dommages dus au transport ou autres accidents;
  - le stockage/l'utilisation non conforme ou la surcharge;
  - le non-respect des consignes données dans la notice de montage et la non observance des consignes de sécurité au cours du montage;
  - la modification non autorisée du poêle;
  - Les défauts notifiés après l'expiration de la période de garantie sont sans signification.
  - l'utilisation du poêle, dont certains éléments n'ont pas été installés ou étaient démontés.

Pour toutes questions ou demandes veuillez contacter le revendeur ou les envoyer par courriel à l'adresse [support@huumsauna.com](mailto:support@huumsauna.com) pour le Canada ou [usa.support@huumsauna.com](mailto:usa.support@huumsauna.com) pour les États-Unis.

**Vous trouverez sur notre site web toutes les informations dont vous avez besoin [www.huumsauna.com](http://www.huumsauna.com)**

# HUUM

 OF SAUNA



#huumsauna



[www.huumsauna.com](http://www.huumsauna.com)