



DROP

ENG

ELECTRIC SAUNA HEATER

3-12

FR

**APPAREIL DE CHAUFFAGE
ÉLECTRIQUE DE SAUNA**

15-24



IPX4



info@huumsauna.com

www.huumsauna.com

DROP

ELECTRIC SAUNA HEATER Installation and operation manual

NB! The following instructions for electrical works must be carried out by a certified electrician.

NB! We strongly recommend a specialist to lay the stones on the heater.

NB! This appliance is not intended for use by persons (including children) with reduced physical, sensory or mental capabilities, or lack of experience and knowledge, unless they have been given supervision or instruction concerning use of the appliance by a person responsible for their safety.

NB! Children should be supervised to ensure that they do not play with the appliance.

NB! The installation instructions for appliances for public saunas that do not have a timer shall state that a pilot lamp showing that the heater is switched on is to be installed in the attendant's room. The previously provided manual does not contain this information.

The safety of the products is based on EN 60335-2-53: 2011 "Household and similar electrical appliances. Safety. Part 2-53: Particular requirements for sauna heating appliances and infrared cabins".

The product must be installed as a complete set. The HUUM DROP electric sauna heater delivery set contains:

- electric heater;
- installation and operation manual for the electric heater;
- the 9 kW DROP sauna heater set includes a heat guiding device

NB! The electric heater requires a control panel and stones.

THINGS TO CHECK BEFORE INSTALLATION

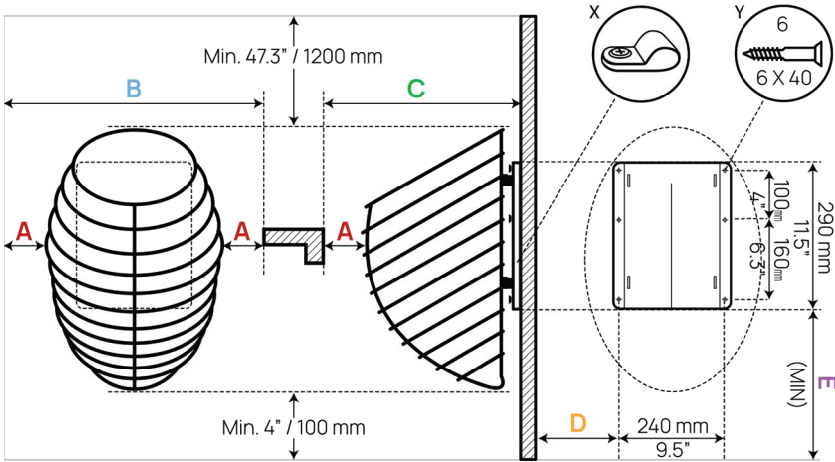
- Does the output (kW) match the volume (ft³/m³) of the sauna room? See Table 2-3.
- In case there are any uninsulated brick, tile or glass walls in the sauna room, an additional volume of 53 ft³ (1,5 m³) should be added to the sauna room for each such square meter of the wall.
- The suitable output of the heater will be determined based on Table 2-3.
- The producer's warranty guarantee is invalid if the heater and sauna room have been dimensioned incorrectly!
- Minimal safe distances between the sauna room's ceiling and walls in view of installing the electric heater are listed in Table 1.

INSTALLATION

Positioning the heater

- The heater must be positioned in such a way that there is a safe distance between flammable materials and the external surfaces of the heater. See Figure.
- In installing the heater, it must be prevented that people could have physical contact with the heater or that other dangerous situations could emerge during the heating process.
- Remove the protective film from the steel plate behind the heater.
- The method of mounting the heater must guarantee that it remains securely on the wall. The full weight of 143.3 lb (65 kg) should be considered upon installing the heater on the wall.
- The input of the power cable is located 2,6" (6.5 cm) to the left of the centre of the heater and 3" (8 cm) from the lower edge when looking from the front.

Table 1	A	B	C	D	E	MIN gap
DROP 4	4 in 100 mm	23.3 in 590 mm	17.1 in 435 mm	6.7 in 170 mm	12.2 in 310 mm	47.3 in 1200 mm
DROP 6	4.8 in 120 mm	24.8 in 630 mm	17.9 in 455 mm	7.5 in 190 mm	12.2 in 310 mm	47.3 in 1200 mm
DROP 7.5	5.3 in 135 mm	25.9 in 660 mm	18.5 in 470 mm	8.1 in 205 mm	12.2 in 310 mm	47.3 in 1200 mm
DROP 9	5.9 in 150 mm	27.2 in 690 mm	19.1 in 485 mm	8.7 in 220 mm	12.2 in 310 mm	47.3 in 1200 mm



Connecting the heater to the power supply

- A method to disconnect all poles from the mains (a circuit breaker) must be installed on the power circuit before the sauna controller.
- Only a certified electrician is allowed to connect the heater to the power supply.
- The power cable of the heater must meet the requirements of UL 62 in US and CSA 49 in Canada.
- The maximum current intensity in the cross-sectional area of the cable and circuit breaker are listed in Table 2.
- The cable must be secured to the clamp on the cover screw.

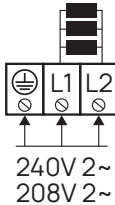
Table 2	Output kW (240V)	Room	Amps A	Circuit Breaker A	Wire Size AWG
DROP 4.5	4.5	106-247 ft ³ 3-7 m ³	18.75	30	10
DROP 6	6	177-353 ft ³ 5-10 m ³	25	30	10
DROP 7.5	7.5	247-424 ft ³ 7-12 m ³	31.25	40	8
DROP 9	9	282-530 ft ³ 8-15 m ³	37.5	50	8

Table 3	Output kW (208V)	Room	Amps A	Circuit Breaker A	Wire Size AWG
DROP 4.5	3.4	88-194 ft ³ 2.5-5.5 m ³	16.35	20	12
DROP 6	4.5	141-282 ft ³ 4-8 m ³	21.63	30	10
DROP 7.5	5.6	176-318 ft ³ 5-9 m ³	26.92	30	10
DROP 9	6.75	211-388 ft ³ 6-11 m ³	32.45	40	8

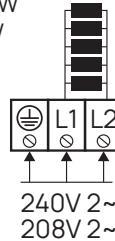
NB! It is forbidden to use a non-heat-resistant cable with PVC isolation as the power cable. The joint box must be waterproof and it must be located up to 19.7 in (50 cm) from the floor.

- Open the cover of the heater's electrical box.
- Attach the power cable on the terminal block according to the circuit diagram.
- Close the cover.
- Fix the cable on the output with a cable strap.
- Install the heater on the wall frame.

DROP 4.5 kW
DROP 6 kW



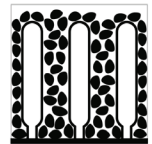
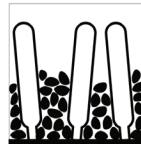
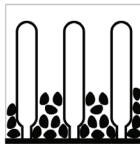
DROP 7.5 kW
DROP 9 kW



Fitting the stones

Upon stacking the stones, one should monitor that the heating elements are not bent and that there is a sufficient air circulation around the heater elements.

- Stack the stones sparsely between the heating elements. When the stones have been stacked too close to each other, the heating elements may overheat (= shorter useful life) and slow the heating of the sauna.
- Stones with a diameter of 2-4 in (5-10 cm) are suitable for the heater.
- The stones on the external surface of the heater must fully cover the heating elements. The heating elements must not be visible.
- The external surface of the stone container must be stacked full as tightly as possible; the surface of the heating elements must not be visible.
- Using ceramic stones in the DROP heater is allowed upon the user's responsibility.



ATTENTION!**A TOO SPARSELY FILLED STONE CONTAINER CAUSES FIRE HAZARD!****NB! We strongly recommend a specialist to lay the stones on the heater.**

Before switching the heater on, the insulation resistance might prove to be lower than the standard.

The reason for that is the moisture seeped into the insulating layer during storage in the warehouse and transportation. The moisture evaporates in 1–2 hours of heating the electric heater.

Controlling the heater

The output of the heater must remain in the interval determined by the control panel's producer. Product other than those for installation in public saunas, shall be provided with a timer. For appliances for use in blocks of flats, hotels and similar locations, the operating period of the sauna heater shall be limited to 12 h with a minimum rest period of 6 h before any automatic restarting. For other appliances, the operating period of the timer shall be limited to 6 h, automatic restarting not being allowed.

NB! Installing the heater closer to flammable constructions than at the distance of the minimal required protection belt may cause fire hazard.

SAUNA ROOM

Wall materials and insulating the sauna room

In a sauna with electric heating, all massive heat accumulating wall surfaces (brick, glass brick, rendering etc.) must be insulated to use the electric heater with a regular output.

The following sauna wall and ceiling construction is considered to be sufficiently insulated:

- a carefully installed insulation wool layer of 4 in, minimum 2 in (100 mm, min. 50 mm)
- the construction is damp proofed with taped aluminium paper or other reflective material
- there is a 0.4 in (10 mm) air gap between the damp protection and boarding
- a light wooden board that is about 0.5-0.65 in (12-16 mm) thick has been used for interior finishing
- there is an air gap of at least 0.2 in (5 mm) on the edge of the ceiling panels at the upper part of the wall panelling.

In order to use the heater with a regular output, it would be practical to bring the ceiling of the sauna lower regular 83 - 91 in, min. height of sauna room 75 in (2100-2300 mm, min. height of sauna room 1900 mm) so that the volume of the sauna room diminishes. The ceiling is insulated with an insulation layer at least 4 in (100 mm) thick and boarded according to the method described above.

Wood should be used to cover internal surfaces; an exception may be made for heat resistant walls in the vicinity of the heater.

ATTENTION! Insulating the heat barrier has to be approved by the fire inspector. Insulating flues in use is forbidden!

NB! Covering the walls or floor with light protective material, for example, mineral tiles that are installed directly on the surface of the walls or ceiling might cause the dangerous overheating of the wall or ceiling material.

Darkening of the sauna room walls

Due to heat, the wood material in the sauna room darkens in time. If you use wood protection products, you may notice that the wall above the heater darkens before long. The darkening process is also caused by the fine stone dust, breaking away from the heater stones and lifted up by the airflow. If you follow the producer's instructions upon installing the heater, the flammable materials in the sauna room will not heat to a dangerous level. The highest allowed temperature for the wall and ceiling surfaces is 284 °F (140 °C).

Floor of the sauna room

The heater stones in use crumble due to temperature changes. The pieces and pebbles breaking away from the heater stones are washed on the sauna's floor with the steam-making water. Hot stone parts may damage plastic flooring under and near the heater.

Heater stone particles and sprays from the steam-making water (e.g., with iron content) may absorb into the light joints of a tile floor. In order to avoid aesthetic damage (caused by the reasons mentioned above), ceramic tiles and dark joint filler should be used under and around the heater.

Ventilation of the sauna

In order to assure a sufficient oxygen supply and fresh air, the sauna's ventilation must be as efficient as possible. It is advisable to direct the fresh air into the sauna room from above the heater stones. As an alternative, the fresh air may be directed in from under the heater.

The air inlet must be equipped with an adjustable valve. The exhaust valve must be installed in the opposite wall from the heater at least 7.9 in (20 cm) above the inlet valve.

WARNING!

- Before turning on the electric heater, always check the sauna room and heater.
- The heater may be used only when it has been correctly filled with stones.
- Do not cover the heater—this causes fire hazard.
- Do not touch a working heater, it causes burns.
- Ventilating the sauna room incorrectly may dry the wood too much and cause a fire hazard in the sauna.
- Only tap water may be used for making steam.
- Never make steam by using a water hose.
- There must always be at least 2 in (5 cm) of fireproof heat insulation under the boarding.
- Sauna doors must always open outward.
- Do not use the sauna for any other purpose than it is meant to be used.
- Do not install more than one heater in the sauna room.
- Undiluted sauna essences etc. may ignite when poured directly on the stones.
- Do not leave small children in the sauna unattended.
- Sudden cooling after staying in the steam room is not recommended for people with poor health. Consult a doctor.
- Enjoy the sauna as long as it is comfortable for you.
- Keep this information in a secure place.
- The product's warranty guarantee does not extend to heating elements.

WARRANTY

Buyer is obligated to read user manual and follow instructions and requirements presented. Damage to the product caused by not following instructions and requirements will void warranty.

If any defects are found on the product, where manufacturer can be blamed, then buyer has the right to demand fixing or replacing the product. Demands must be made not later than 5 years after buying the product. Purchase receipt needs to be presented when warranty demands are made.

Warranty Terms:

- Warranty applies only to electric heaters that have been used according to the manual.
- NB! Warranty does not cover heating elements. They are considered as consumable parts.
- Warranty does not cover wear that occurs from natural usage
Warranty does not cover defects or wear caused by planned use.
- Warranty does not imply when:
 - damage or defects are caused by transportation or other actions not controlled by manufacturer.
 - product has been damaged by carelessness or overload
 - product has not been installed correctly
 - product has been modified in any way
 - warranty period is over
 - product is not complete

All demands shall be presented directly to reseller or using e-mail for Canada: canada.support@huumsauna.com or for USA: usa.support@huumsauna.com

Find the latest updates on our website www.huumsauna.com

DROP

APPAREIL DE CHAUFFAGE ÉLECTRIQUE DE SAUNA

Manuel d'installation et d'opération

REMARQUE! Les instructions suivantes pour les travaux électriques doivent être exécutées par un électricien certifié.

REMARQUE! Il est recommandé de confier la pose des pierres sur le réceptacle à un spécialiste.

REMARQUE! Cet appareil électrique n'est pas prévu pour être utilisé par des personnes (y compris des enfants) avec des capacités physiques, sensorielles ou mentales réduites, ou un manque d'expérience et de connaissance, à moins qu'elle soit supervisée ou guidée concernant l'utilisation de l'appareil électrique par une personne responsable de leur sécurité.

REMARQUE! Les enfants devraient être surveillés pour s'assurer qu'ils ne jouent pas avec l'appareil électrique.

REMARQUE! Les instructions d'installation pour les appareils de saunas publics qui n'ont pas de minuterie devraient énoncer qu'une lampe pilote montrant que l'appareil de chauffage est activé est installée dans la pièce des participants. Le manuel précédemment fourni ne contient pas ces informations.

La sécurité des produits est conforme à la norme EN 60335-2-53 : 2011 «Appareils électriques ménagers et analogues. Sécurité. Partie 2-53 : Règles particulières pour les appareils de chauffage de saunas et les cabines infrarouges».

Le produit doit être installé comme un lot complet. Le lot de livraison de l'appareil électrique de chauffage de sauna HUUM DROP contient:

- Un appareil de chauffage électrique
- Un manuel d'installation et d'opération pour l'appareil de chauffage électrique
- Le lot d'appareil de chauffage pour sauna DROP de 9 kW inclut un appareil de guidage de chaleur

REMARQUE! L'appareil électrique de chauffage nécessite un panneau de contrôle et des pierres.

CHOSSES À VÉRIFIER AVANT L'INSTALLATION

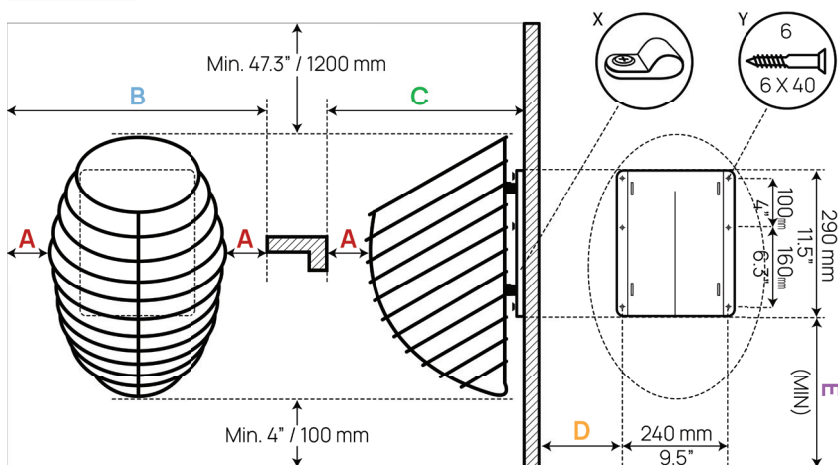
- La sortie (kW) correspond-elle au volume (ft³/m³) de la pièce du sauna? Voir le tableau 2-3.
- Dans le cas de murs non isolés en briques, carreaux ou verre dans la pièce du sauna, un volume supplémentaire de 53 ft³ (1,5 m³) – devrait être ajouté à la pièce du sauna pour chacun de ces mètres carrés du mur.
- La sortie adaptée à l'appareil de chauffage sera déterminée en fonction du tableau 2-3.
- La garantie du producteur est invalide si l'appareil de chauffage et la pièce du sauna n'ont pas été dimensionnés correctement!
- Des distances de sécurité minimales entre le plafond et les murs de la pièce du sauna dans l'optique de l'installation de l'appareil électrique de chauffage sont listées dans le tableau 1.

INSTALLATION

Positionnement de l'appareil de chauffage

- L'appareil de chauffage doit être positionné de telle manière qu'il existe une distance sûre entre les matériaux inflammables et les surfaces externes de l'appareil de chauffage. Voir la figure.
- Au cours de l'installation de l'appareil de chauffage, il doit être évité que des personnes puissent avoir un contact physique avec l'appareil de chauffage ou que d'autres situations dangereuses puissent émerger pendant le processus de chauffage.
- Retirez le film protecteur de la plaque métallique derrière l'appareil de chauffage.
- La méthode de montage de l'appareil de chauffage doit garantir qu'il reste fixé sur le mur. Le poids total de 143.3 lb (65 kg) devrait être installé au cours de l'installation de l'appareil de chauffage sur le mur.
- L'entrée du câble d'alimentation se trouve à , 2,6 in (6,5 cm) vers la gauche par rapport au centre du réceptacle à pierres vu de face, et à 3 in (8 cm) de son bord inférieur.

Tableau 1	A	B	C	D	E	Espacement min.
DROP 4	4 in 100 mm	23.3 in 590 mm	17.1 in 435 mm	6.7 in 170 mm	12.2 in 310 mm	47.3 in 1200 mm
DROP 6	4.8 in 120 mm	24.8 in 630 mm	17.9 in 455 mm	7.5 in 190 mm	12.2 in 310 mm	47.3 in 1200 mm
DROP 7.5	5.3 in 135 mm	25.9 in 660 mm	18.5 in 470 mm	8.1 in 205 mm	12.2 in 310 mm	47.3 in 1200 mm
DROP 9	5.9 in 150 mm	27.2 in 690 mm	19.1 in 485 mm	8.7 in 220 mm	12.2 in 310 mm	47.3 in 1200 mm



Connexion de l'appareil de chauffage à l'alimentation électrique.

- Une méthode pour déconnecter tous les pôles de l'alimentation principale (un disjoncteur) doit être installée sur le circuit électrique avant le contrôleur du sauna.
- Seul un électricien certifié est autorisé à connecter l'appareil de chauffage à l'alimentation électrique.
- Le câble d'alimentation de l'appareil de chauffage doit répondre aux exigences de UL 62 aux États-Unis et de CSA 49 au Canada.
- Les intensités de courant maximales dans la zone de la section transversale du câble et du disjoncteur sont listées dans le tableau 2.
- Le câble doit être correctement fixé dans le serre-câbles sur la vis de couverture.

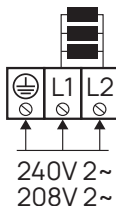
Tableau 2	Sortie kW (240V)	Pièce	Amps A	Disjoncteur A	Taille du câblage AWG
DROP 4.5	4.5	106-247 ft ³ 3-7 m ³	18.75	30	10
DROP 6	6	177-353 ft ³ 5-10 m ³	25	30	10
DROP 7.5	7.5	247-424 ft ³ 7-12 m ³	31.25	40	8
DROP 9	9	282-530 ft ³ 8-15 m ³	37.5	50	8

Tableau 3	Sortie kW (208V)	Pièce	Amps A	Disjoncteur A	Taille du câblage AWG
DROP 4.5	3.4	88-194 ft ³ 2.5-5.5 m ³	16.35	20	12
DROP 6	4.5	141-282 ft ³ 4-8 m ³	21.63	30	10
DROP 7.5	5.6	176-318 ft ³ 5-9 m ³	26.92	30	10
DROP 9	6.75	211-388 ft ³ 6-11 m ³	32.45	40	8

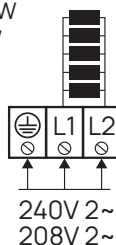
REMARQUE! Il est interdit d'utiliser un câble non résistant à la chaleur avec une isolation en PVC comme câble d'alimentation. Le boîtier de jonction doit être étanche et il doit être situé à un maximum de 19.7 in (50 cm) du sol.

- Ouvrez la couverture du boîtier électrique de l'appareil de chauffage.
- Attachez le câble électrique sur le bloc du terminal conformément au diagramme du circuit.
- Fermez le couvercle.
- Fixez le câble sur la sortie avec une sangle pour câble.
- Installez l'appareil de chauffage sur la charpente du mur.

DROP 4.5 kW
DROP 6 kW



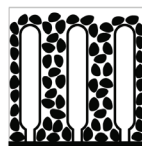
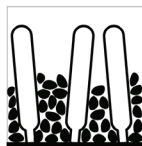
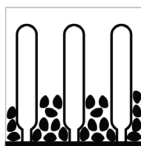
DROP 7.5 kW
DROP 9 kW



Installation des pierres

Lors de l'empilement des pierres, les éléments de l'appareil de chauffage devraient être surveillés afin qu'il ne soient pas déformés et qu'il y ait suffisamment de circulation d'air autour des éléments de chauffage.

- Empilez les pierres de manière clairsemée entre les éléments de l'appareil de chauffage. Lorsque les pierres qui ont été empilées trop proches l'une de l'autre, les éléments de l'appareil de chauffage peuvent surchauffer (= durée de vie utile plus courte) et ralentir le chauffage du sauna.
- Les pierres avec un diamètre de 2-4 in (5 à 10 cm) sont adaptées au chauffage.
- Les pierres sur la surface externe du chauffage doivent couvrir entièrement les éléments de chauffage. Les éléments de l'appareil de chauffage ne doivent pas être visibles.
- La surface externe du conteneur de pierres doit être empilée entièrement de manière aussi serrée que possible; la surface des éléments de l'appareil de chauffage ne doit pas être visible.
- L'utilisation de pierres en céramique sur le chauffage DROP est autorisée, mais laissée à la responsabilité de l'utilisateur.



ATTENTION! UN CONTENEUR REMPLI DE PIERRES TROP CLAIRSEMÉES CONDUIT A UN RISQUE D'INCENDIE!

REMARQUE! Il est recommandé de confier la pose des pierres sur le réceptacle à un spécialiste.

Avant d'activer l'appareil de chauffage, la résistance d'isolation peut s'avérer être plus faible que la norme.

La raison à cela est que l'humidité suinte dans la couche isolante pendant le stockage dans l'entrepôt et pendant le transport. L'humidité s'évapore en 1 à 2 heures de chauffage de l'appareil de chauffage électrique.

Contrôler l'appareil de chauffage

La sortie de l'appareil de chauffage doit rester dans l'intervalle déterminé par le producteur du panneau de contrôle. Les produits autres que ceux pour l'installation dans des saunas publics devraient être fournis avec une minuterie. Pour les appareils utilisés dans les blocs d'appartements, d'hôtels et de lieux similaires, la période de fonctionnement du chauffage du sauna devrait être limitée à 12 h avec une période de repos minimale de 6 h avant tout redémarrage automatique. Pour les autres appareils, la période de fonctionnement de la minuterie devrait être limitée à 6 h, le redémarrage automatique n'étant pas autorisé.

REMARQUE! L'installation de l'appareil de chauffage plus près de constructions inflammables que la distance de la ceinture de protection minimale requise peut entraîner des risques d'incendie.

PIÈCE DU SAUNA

Matériaux des murs et isolations de la pièce du sauna

Dans un sauna avec un chauffage électrique, toutes les surfaces de mur accumulant massivement de la chaleur (brique, brique de verre, enduit, etc.) doivent être isolées pour utiliser le chauffage électrique avec une sortie ordinaire.

Les murs et constructions de plafond de sauna suivants sont considérés comme étant suffisamment isolés:

- Une couche de laine d'isolation soigneusement installée de 4 in, min. 2 in (100 mm, min. 50 mm)
- la construction est imperméabilisée avec un ruban adhésif en aluminium ou un autre matériau réfléchissant
- il y a un espacement d'air de 0.4 in (10 mm) entre la protection imperméable et les planches
- une planche de bois légère d'une épaisseur d'environ 0.5-0.65 in (12 à 16 mm) a été utilisée pour les finitions intérieures
- il y a un espacement d'air d'au moins 0.2 in (5 mm) du bord des panneaux de faux-plafonds sur la partie supérieure des panneaux muraux.

Afin d'utiliser l'appareil de chauffage avec une sortie ordinaire, il serait commode d'abaisser le plafond du sauna (ordinairement 83 - 91 in, (2100 à 2300 mm), hauteur minimale de la pièce de sauna 75 in (1900 mm)) afin que le volume de la pièce du sauna diminue. Le plafond est isolé avec une couche d'isolation d'au moins 4 in (100 mm) d'épaisseur et comprend des panneaux conformément à la méthode décrite plus haut.

Du bois devrait être utilisé pour couvrir les surfaces internes ; une exception peut être faite pour les murs résistants à la chaleur à proximité de l'appareil de chauffage.

ATTENTION! L'isolation de la barrière thermique doit être approuvée par l'inspecteur en sécurité incendie. L'isolation des conduits en cours d'utilisation est interdite!

REMARQUE! Couvrir les murs ou les sols avec un matériel de protection léger, par exemple, des dalles minérales qui sont installées directement sur la surface des murs ou des plafonds peut provoquer une surchauffe dangereuse du matériau des murs ou du plafond.

Noircissement des murs de la pièce du sauna

À cause de la chaleur, le matériel en bois dans la pièce du sauna peut parfois se noircir. Si vous utilisez des produits de protection en bois, il se peut que vous remarquiez que le mur au-dessus de l'appareil de chauffage se noircisse. Le processus de noircissement est aussi provoqué par la poussière fine de pierre, se détachant des pierres de l'appareil de chauffage et soulevées par le flux d'air. Si vous suivez les instructions du producteur au moment de l'installation de l'appareil de chauffage, les matériaux inflammables dans la pièce du sauna ne chaufferont pas à un niveau dangereux. La température autorisée la plus haute pour le mur et le plafond est de 284 °F (140 °C).

Sol de la pièce de sauna

Les pierres du chauffage utilisé s'effritent à cause des changements de température. Les morceaux et les cailloux se détachant des pierres du chauffage sont lavés sur le sol du sauna avec l'eau servant à fabriquer la vapeur. Les morceaux de pierre chauds peuvent endommager le sol en plastique en dessous et à proximité du chauffage.

Les particules de pierre de l'appareil de chauffage et les sprays en provenance de l'eau fabriquant la vapeur (par ex. avec un contenu en fer) peuvent être absorbés dans les joints légers d'un sol carrelé. Afin d'éviter des dommages esthétiques (provoqués par les raisons mentionnées ci-dessus), des carreaux en céramiques et des remplisseurs de joints sombres devraient être utilisés en dessous et autour de l'appareil de chauffage.

Ventilation du sauna

Afin de garantir un apport suffisant en oxygène et en air frais, la ventilation du sauna doit être aussi efficace que possible. Il est conseillé de diriger l'air frais dans la pièce du sauna depuis le haut des pierres du chauffage. Alternativement, l'air frais peut être dirigé depuis le dessous de l'appareil de chauffage.

L'entrée d'air doit être équipée d'une valve ajustable. La valve d'échappement doit être installée sur le mur opposé à l'appareil de chauffage et au moins 7.9 in (20 cm) au-dessus de la valve d'entrée.

AVERTISSEMENT!

- Avant de mettre en marche le chauffage électrique, vérifiez toujours la pièce de sauna et l'appareil de chauffage.
- L'appareil de chauffage peut uniquement être utilisé lorsqu'il a été correctement rempli de pierres.
- Ne couvrez pas l'appareil de chauffage – cela entraînerait des risques d'incendie.
- Ne touchez pas l'appareil de chauffage en fonctionnement, cela provoquerait des brûlures.
- Ventiler le sauna de manière incorrecte peut assécher le bois et provoquer un risque d'incendie dans le sauna.
- Seule de l'eau du robinet peut être utilisée pour fabriquer de la vapeur.
- Ne préparez jamais de vapeur en utilisant de l'eau du tuyau d'arrosage.
- Il doit toujours y avoir au moins 2 in (5 cm) d'isolation à la chaleur ignifuge sous les panneaux.
- Les portes du sauna doivent toujours s'ouvrir vers l'extérieur.
- N'utilisez jamais le sauna à aucune fin autre que celles prévues.
- N'installez pas plus d'un appareil de chauffage dans la pièce de sauna.
- Les essences de sauna non diluées, etc. peuvent prendre feu lorsque versées directement sur les pierres.
- Ne laissez pas d'enfants en bas âge sans surveillance dans le sauna.
- Un refroidissement soudain après un séjour dans la pièce du sauna n'est pas recommandé pour les personnes en mauvaise santé. Consultez un médecin.
- Profitez du sauna aussi longtemps que vous vous y sentez bien.
- Conservez ces informations dans un lieu sécurisé.
- La garantie du produit ne couvre pas les éléments de chauffage.

GARANTIE

L'acheteur est obligé de lire le manuel utilisateur et de suivre les instructions et les contraintes présentées. Un dommage au produit provoqué par un non-suivi des instructions et des contraintes résiliera la garantie.

Si un défaut quelconque est découvert sur le produit, qui peut être imputé au fabricant, alors l'acheteur a le droit de demander une réparation ou un remplacement du produit. Les demandes doivent être effectuées dans un délai maximal de 5 ans après l'achat du produit. Le reçu d'achat doit être présenté lorsque les demandes de garantie sont effectuées.

Conditions de garantie:

- La garantie s'applique uniquement aux appareils de chauffage qui ont été utilisés conformément au manuel.
- NB! La garantie ne couvre pas les éléments de chauffage. Ils sont considérés comme des pièces consommables.
- La garantie ne couvre pas l'usure qui se produit à cause d'une utilisation naturelle.
- La garantie ne couvre pas les défauts ou l'usure provoquée par une utilisation planifiée.
- La garantie ne s'applique pas lorsque:
 - des dommages ou des défauts sont provoqués par le transport ou d'autres actions non contrôlés par le fabricant
 - le produit a été endommagé par négligence ou par surcharge
 - le produit n'a pas été installé correctement
 - le produit a été modifié de quelque manière que ce soit
 - la période de garantie est passée
 - le produit est incomplet

Pour toutes questions ou demandes veuillez contacter le revendeur ou les envoyer par courriel à l'adresse support@huumsauna.com pour le Canada ou usa.support@huumsauna.com pour les États-Unis.

Vous trouverez sur notre site web toutes les informations dont vous avez besoin www.huumsauna.com

HUUM

 **OF SAUNA**



#huumsauna



www.huumsauna.com