

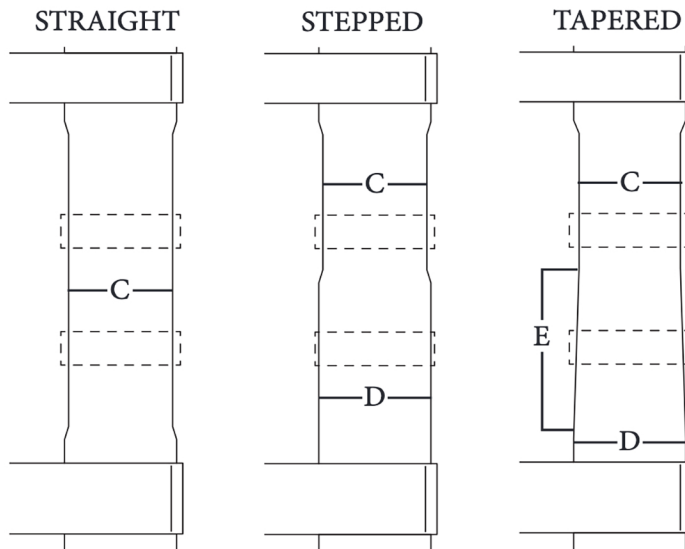
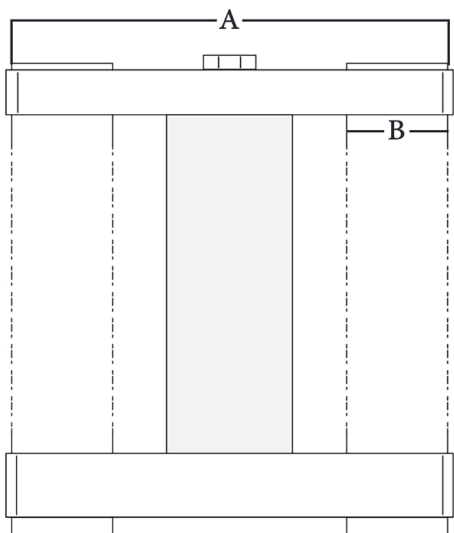
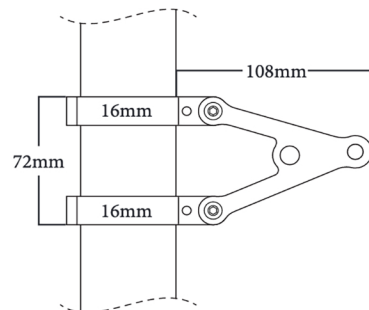
CUSTOM HEADLIGHT BRACKET ORDER SPEC SHEET

Customer Information

Name _____ Address _____
 Order Number _____
 Phone _____
 Email _____

The Motodemic headlight brackets require 72mm (approx 2 7/8") of vertical space on the forks. Because there are many different fork profiles, measuring at the right locations on the fork tube is critical.

Review the below profiles in order to fill in the appropriate sizes required for your custom headlight brackets.



Motorcycle/Fork Info

For custom fork applications, please specify what year and model the forks were removed from and any other information that may help (custom triple clamp, etc.).

Year _____ Make _____

Model _____

Comments _____

Specifications

For best results we recommend using digital calipers.

Straight Stepped Tapered

A _____ mm B \varnothing _____ mm
fork tube spacing diameter of top clamp area of fork tube

C \varnothing _____ mm D \varnothing _____ mm E _____ mm
diameter diameter length of taper

Email completed forms to: info@lossaengineering.com