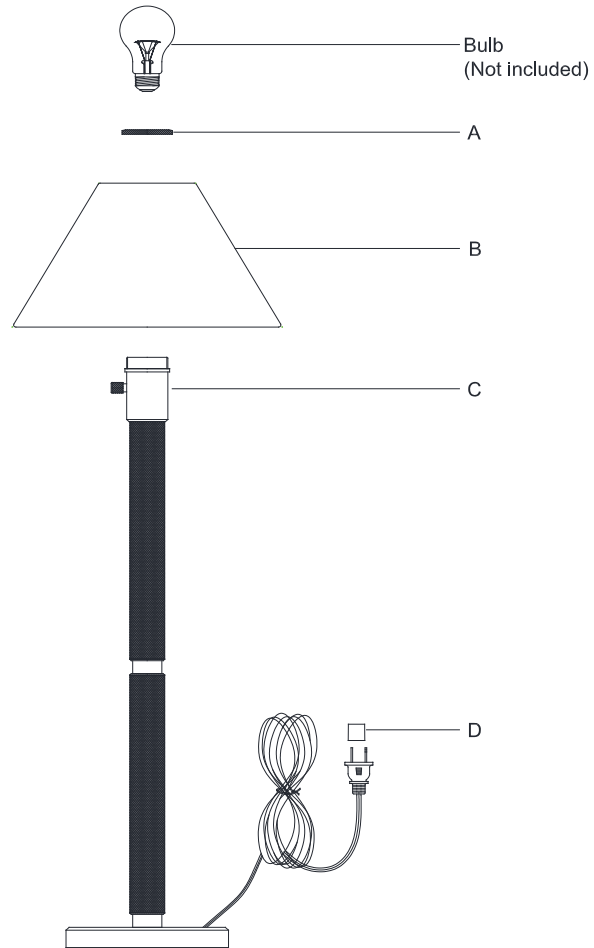


ASSEMBLY INSTRUCTIONS



Barrett Knurled Buffet Lamp

Item # RL 3393

NOTICE:

This light fixture should be installed in accordance with all applicable, local installation codes, and by a person familiar with the construction and operation of it, as well as the hazards involved. Inspect item and contents carefully. If any damage or defect is found, do not install. Retain all packaging material until installation is complete and approved.

1. Carefully remove all parts from the box.
2. Place shade (B) to the socket cup (C) and secure with socket ring (A).
3. Insert bulb (not included) into the socket.
4. Remove protective plug cover (D) from the plug.
5. Plug into a proper electrical outlet and test the fixture.
6. Installation is complete.

Care Instructions: Clean only with a soft dry cloth or feather duster. Do not use abrasive or chemical agents.

RALPH LAUREN

