

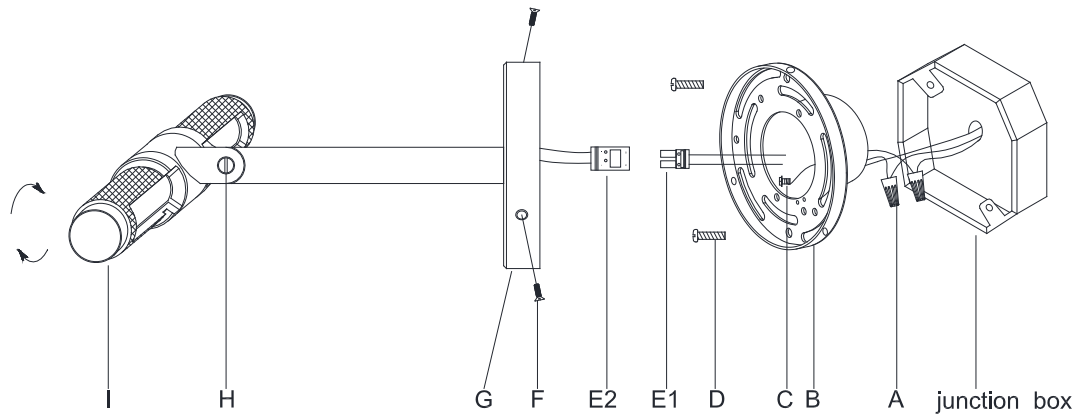
ASSEMBLY INSTRUCTIONS

Barrett 12" Picture Light

Item # RL 2722

NOTICE:

This light fixture should be installed in accordance with all applicable, local installation codes, and by a person familiar with the construction and operation of it, as well as the hazards involved. Inspect item and contents carefully. If any damage or defect is found, do not install. Retain all packaging material until installation is complete and approved.



1. Carefully remove all parts from the box.
2. Remove the mounting plate (B) from the backplate (G) by loosening side screws (F).
3. Wrap ground wire from the junction box to the green grounding screw on the mounting plate (B).
IT IS IMPERATIVE THAT THIS FIXTURE BE GROUNDED.
4. Connect the neutral wire (WHITE) from the fixture to the neutral wire (White) from the junction box using wire nut (A).
5. Connect the hot wire (BLACK) from the fixture to the hot wire (Black) from the junction box using wire nut (A).
DO NOT REVERSE THE HOT AND NEUTRAL CONNECTIONS OR SAFETY WILL BE COMPROMISED.
6. Affix mounting plate (B) onto the junction box and secure with mounting screws (D).
7. Connect the quick connector (E1 & E2) together.
8. Attach the backplate (G) onto the mounting plate (B) and secure with side screws (F).
9. Adjust the angle of the shade (I) by loosening and tightening the screw (H) and adjust the shade opening to the desired angle by rotating the it (I).
10. Installation is complete, turn on power at fuse or circuit breaker.

Care Instructions: Clean only with a soft dry cloth or feather duster. Do not use abrasive or chemical agents.

RALPH LAUREN

