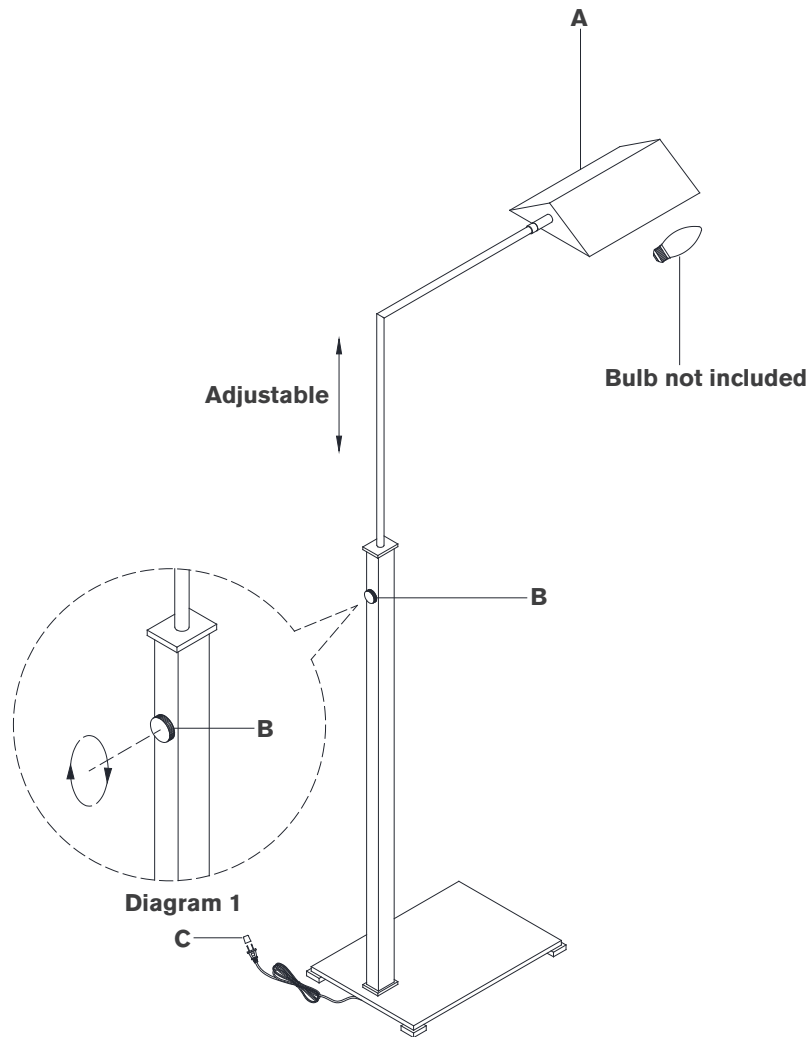


ASSEMBLY INSTRUCTIONS



Copse Floor Lamp

Item # RB 1005

NOTICE:

This light fixture should be installed in accordance with all applicable, local installation codes, and by a person familiar with the construction and operation of it, as well as the hazards involved. Inspect item and contents carefully. If any damage or defect is found, do not install. Retain all packaging material until installation is complete and approved.

1. Carefully remove all parts from the box. Place on a clean, soft surface.
2. Loosen knob **(B)** and adjust fixture body to desired height, then tighten knob **(B)**. See diagram 1.
3. Install light bulb into the socket.
4. Adjust shade **(A)** to desired angle by rotating left or right.
5. Remove protective cover **(C)** from plug.
6. Plug into electrical outlet and test the fixture.

Care Instructions: Clean only with a soft dry cloth or feather duster. Do not use abrasive or chemical agents.