

ASSEMBLY INSTRUCTIONS

Palati Extra Large Hanging Shade

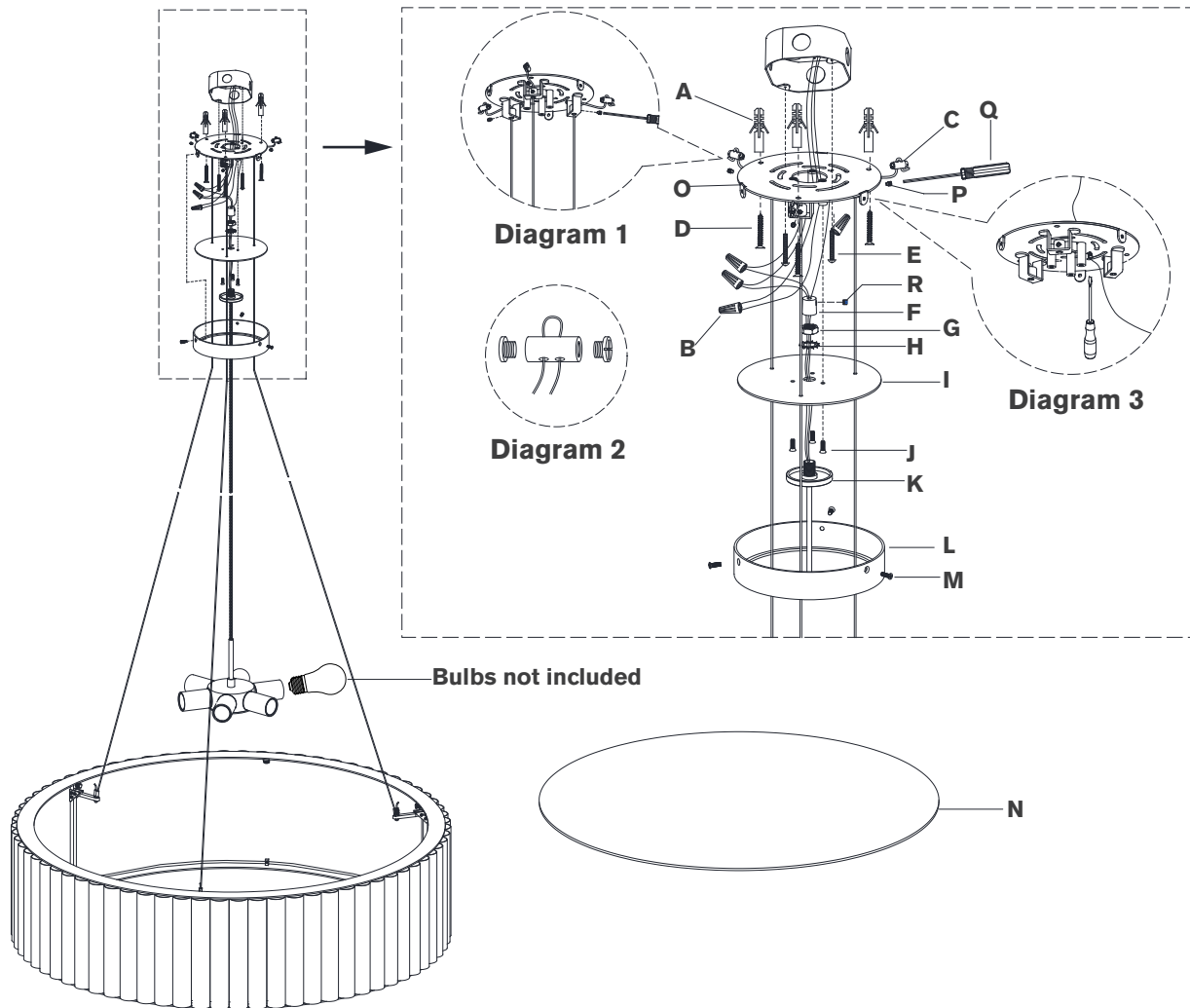
Item # IKF 5442

NOTICE:

This light fixture should be installed in accordance with all applicable, local installation codes, and by a person familiar with the construction and operation of it, as well as the hazards involved. Inspect item and contents carefully. If any damage or defect is found, do not install. Retain all packaging material until installation is complete and approved.

TOOLS REQUIRED (NOT INCLUDED):

Phillips Screwdriver	Slotted Screwdriver	Wire Cutters
Wire Strippers	Pencil	Hammer
Drill		

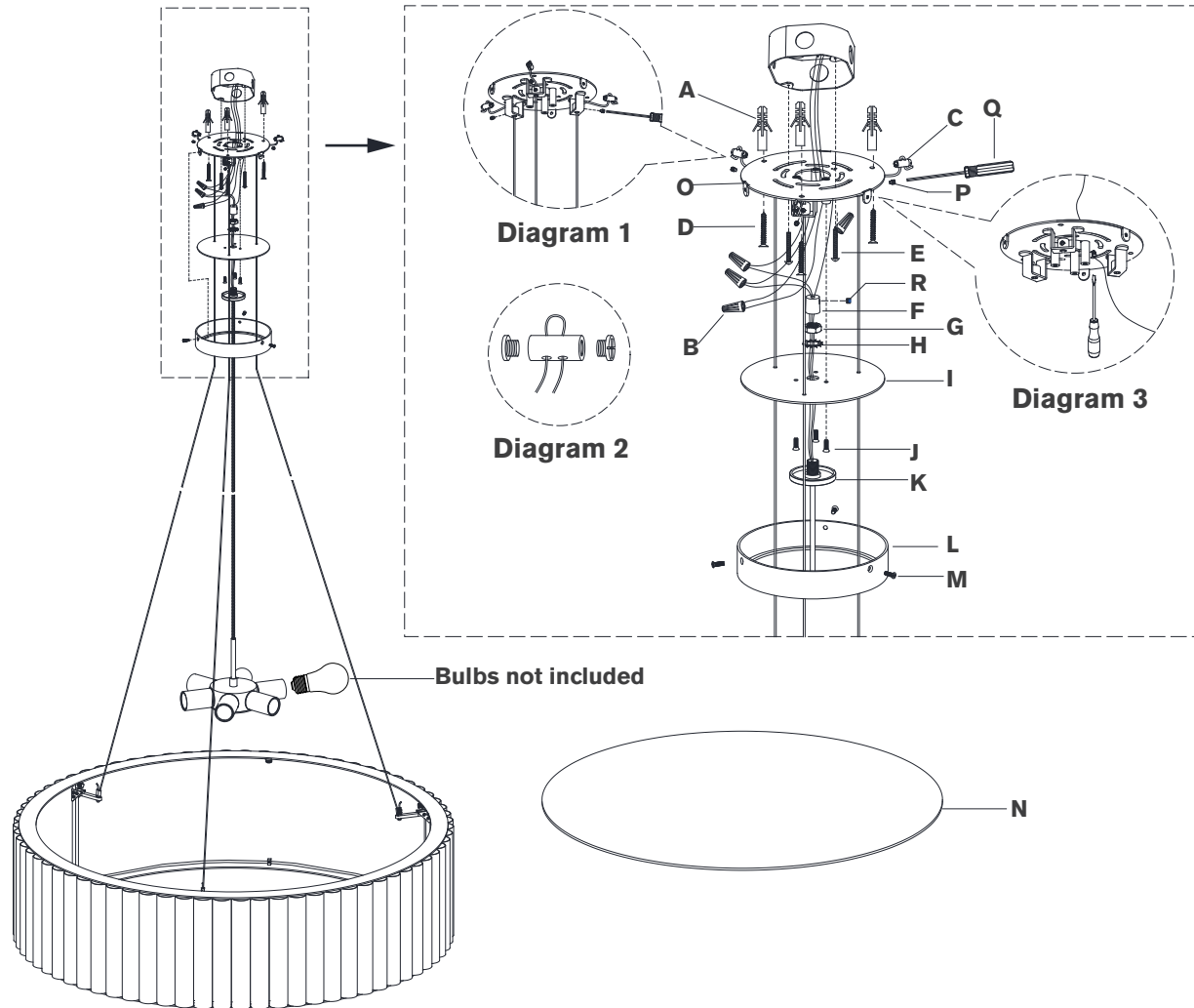


- Carefully remove all parts from the box. Place on a clean, soft surface.
 - Remove mounting plate (O) and metal plate (I) from canopy (L) by removing canopy screws (M).
 - Using mounting plate (O) as a guide, line up with the junction box and mark anchor positions.
 - Using a drill bit slightly smaller than the anchor, drill holes in the marked positions. Install anchors (A) into the holes using hammer.
 - Install mounting plate (O) to junction box and secure with mounting screws (E), then secure wood screws (D) to anchors (A).
 - Loosen set screws (P) and feed hanging cables through canopy (L) and metal plate (I), then insert through holes on mounting plate brackets.
 - Install cable locks (C) to end of hanging cables. Insert hanging cable through other end of locks and tighten ends to secure. See diagram 1 & 2.
 - Adjust hanging cables to desired height and level fixture. Tighten set screws (P) using provided screwdriver (Q).
- NOTE:** Double check height and ensure fixture is level before moving to next step.
- Loosen set screw (R) and feed fixture wire through canopy (L), canopy ring (K) and metal plate (I), then install metal plate (I) to canopy ring (K) and secure with spring washer (H), hex nut (G) and cable lock nut (G).

VISUAL COMFORT



ASSEMBLY INSTRUCTIONS



Palati Extra Large Hanging Shade

Item # IKF 5442

NOTICE:

This light fixture should be installed in accordance with all applicable, local installation codes, and by a person familiar with the construction and operation of it, as well as the hazards involved. Inspect item and contents carefully. If any damage or defect is found, do not install. Retain all packaging material until installation is complete and approved.

10. Install metal plate **(I)** to mounting plate **(O)** and secure with screws **(J)**.
11. Adjust wire to desired length then tighten set screw **(R)**.

NOTE: Make sure there is no tension on the electrical wire when fixture is fully extended.

12. After fixture height is achieved shorten the wires by using a pair of cutters (not included), leaving enough length to reach mounting plate **(O)**.

NOTE: Final leveling in later step will only allow for small adjustments. Make sure fixture height and fixture level are accurate before cutting wires.

13. Remove outer housing of wire by making a neat cut all the way around, about 1" from the end. Once cut is made, remove and discard the 1" piece of housing, exposing the electrical wires.

NOTE: Make sure not to cut too deep into housing or electrical wires could become damaged.

14. Wrap fixture ground wire (bare copper) around the green grounding screw (see diagram 1). Tighten. Continue fixture ground wire and connect to supply ground wire (usually green or bare copper) using wire nut **(B)**.

NOTE: It is imperative that the fixture is grounded.

15. Connect fixture neutral wire (white) to the supply neutral wire (usually white) using wire nut **(B)**.

16. Connect fixture hot wire (black) to the supply hot wire (usually black) using wire nut **(B)**.

CAUTION: Do not reverse the hot and neutral connections.

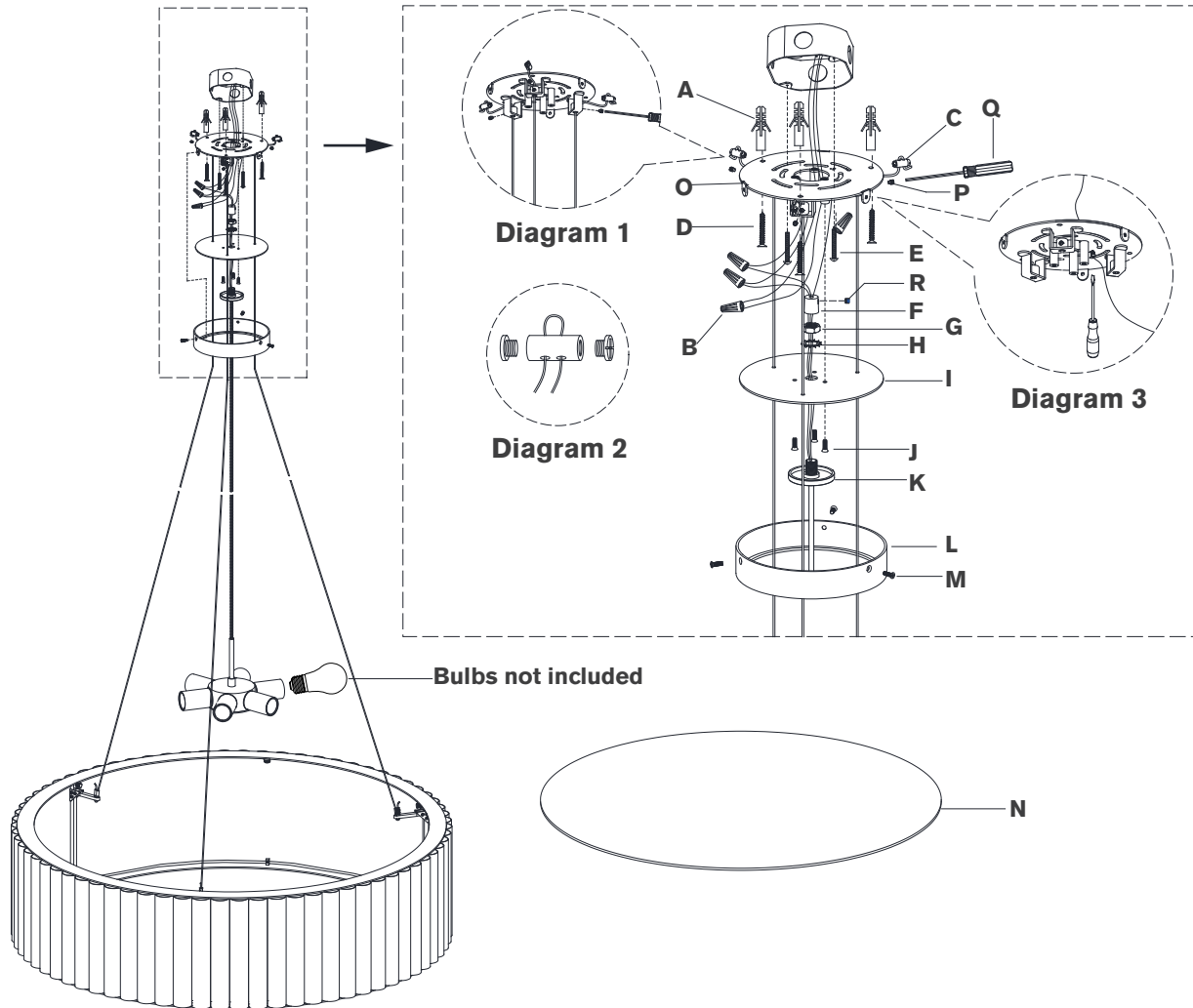
ASSEMBLY INSTRUCTIONS

Palati Extra Large Hanging Shade

Item # IKF 5442

NOTICE:

This light fixture should be installed in accordance with all applicable, local installation codes, and by a person familiar with the construction and operation of it, as well as the hazards involved. Inspect item and contents carefully. If any damage or defect is found, do not install. Retain all packaging material until installation is complete and approved.



17. Make sure all wire connections are tight, then carefully tuck into the junction box.
18. Install canopy (**L**) to mounting plate (**O**) and secure with canopy screws (**M**).
19. Place diffuser (**N**) into shade from the top.
20. Insert bulb into the socket.

Care Instructions: Clean only with a soft dry cloth or feather duster. Do not use abrasive or chemical agents.