

ASSEMBLY INSTRUCTIONS

Sussex Large 3/4 Lantern

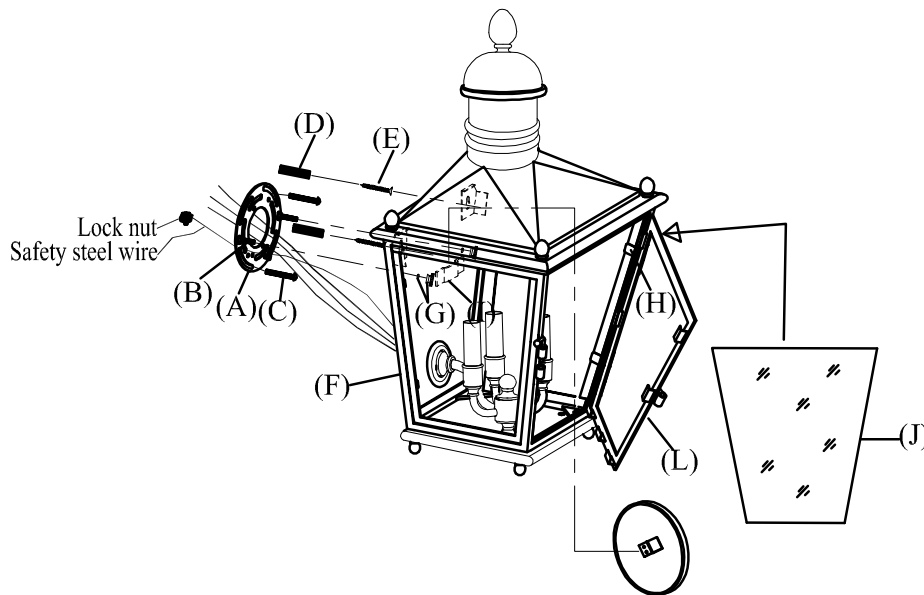
Item # CHO2036

WE RECOMMEND INSTALLATION OF THIS LIGHTING FIXTURE BE DONE BY A LICENSED ELECTRICIAN.

WARNING * SWITCH OFF THE MAIN ELECTRICAL SUPPLY FROM THE MAIN FUSE BOX/CIRCUIT BREAKER BEFORE INSTALLATION.**

INSPECT ITEM CAREFULLY BEFORE ATTEMPTING TO INSTALL. IF THERE IS ANY DAMAGE OR OBVIOUS DEFECT, DO NOT INSTALL.

ITEM MAY NOT BE RETURNED ONCE IT HAS BEEN INSTALLED.



1. Remove back plate (A) from fixture base (F) by unscrewing washers/cap nuts (G) in counter-clockwise direction.
2. Position back plate (A) onto wall outlet box and tighten with mounting screws (C).
3. Place whole fixture on the wall outlet, letting rods (B) pass through the holes of fixture base (F), use it as a template, mark the outer line of fixture base on the wall. Remove the whole fixture and mark center locations for two key holes.
4. Drill small holes of the marked location, the hole should be big enough to accommodate with plastic anchors (D). Push plastic anchors (D) into the holes and inserting screw (E) to plastic anchors (D). Make sure screw head with 1/8" long threads is visible.
5. Install safety steel wire to back plate (A) as show in illustration.
6. Attach ground (green) fixture wire to ground wire from the wall outlet box (usually green or copper in color), and fasten together with a plastic wire connector. Tightly wrap the wire connector with electrical tape so the end of the connector is sealed.
IT IS IMPERATIVE THAT THE OUTLET BOX IN YOUR HOME BE PROPERLY GROUNDED.
7. Connect neutral (white) fixture wire to neutral (usually white) wire from wall outlet box. Fasten both wires together with a plastic wire connector and tightly wrap the wire connector with electrical tape.
8. Repeat the procedure with the hot (black) wires. Always make sure that no wire strands are left outside the connectors.
DO NOT REVERSE THE HOT AND NEUTRAL CONNECTIONS OR SAFETY WILL BE COMPROMISED.

ASSEMBLY INSTRUCTIONS

Sussex Large 3/4 Lantern

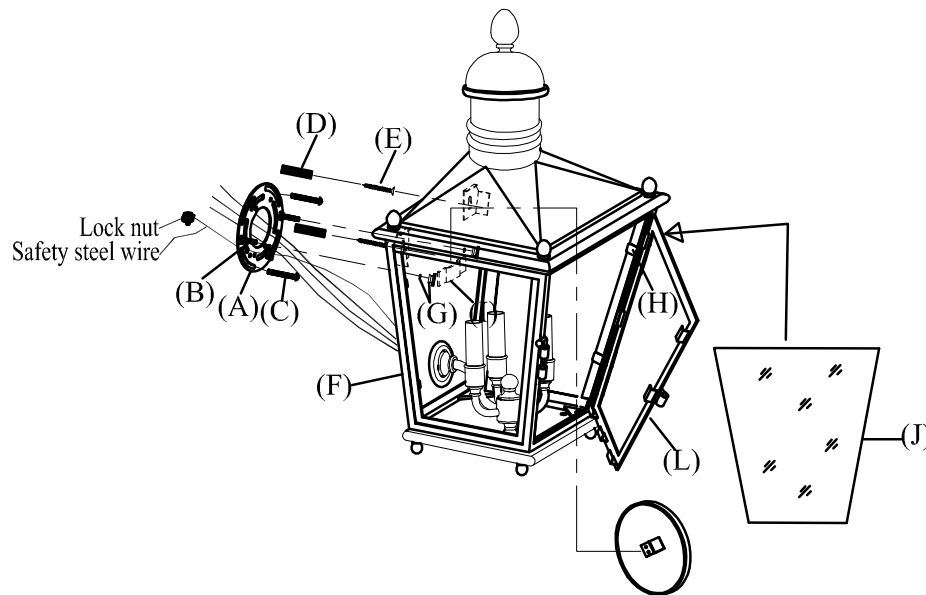
Item # CHO2036

WE RECOMMEND INSTALLATION OF THIS LIGHTING FIXTURE BE DONE BY A LICENSED ELECTRICIAN.

WARNING * SWITCH OFF THE MAIN ELECTRICAL SUPPLY FROM THE MAIN FUSE BOX/CIRCUIT BREAKER BEFORE INSTALLATION.**

INSPECT ITEM CAREFULLY BEFORE ATTEMPTING TO INSTALL. IF THERE IS ANY DAMAGE OR OBVIOUS DEFECT, DO NOT INSTALL.

ITEM MAY NOT BE RETURNED ONCE IT HAS BEEN INSTALLED.



9. Gently push fixture base (F) onto wall outlet, hook the lantern base (F) to affixed screws (E) and letting rods (B) pass through the holes on fixture base (F) and tighten by screwing washer/cap nuts (G) to the exposed part of rods (B) in clockwise direction.
10. To install glass panels (J) provided to each frame, make sure metal tabs (H) are flipped up. Place glass panels to front frame, secure the glass panels by bending back the metal tabs (H) downwards.
11. Attach light reflector (M) to hook (I). Insert light bulbs into sockets. Close front door (L) and secure by inserting locking pin (K).

INSTRUCTIONS FOR MOUNTING FIXTURE OUTDOORS AND/OR IN WET LOCATION:

1. Mounting surface should be clean, dry, flat and 1/4" larger than the backplate on all sides. Any gaps between the mounting surface and backplate exceeding 3/16" should be corrected as required.
2. With silicone (ex. GE-108) caulking compound, caulk completely around where back of the backplate meets the wall surface to prevent water from seeping into outlet box.