

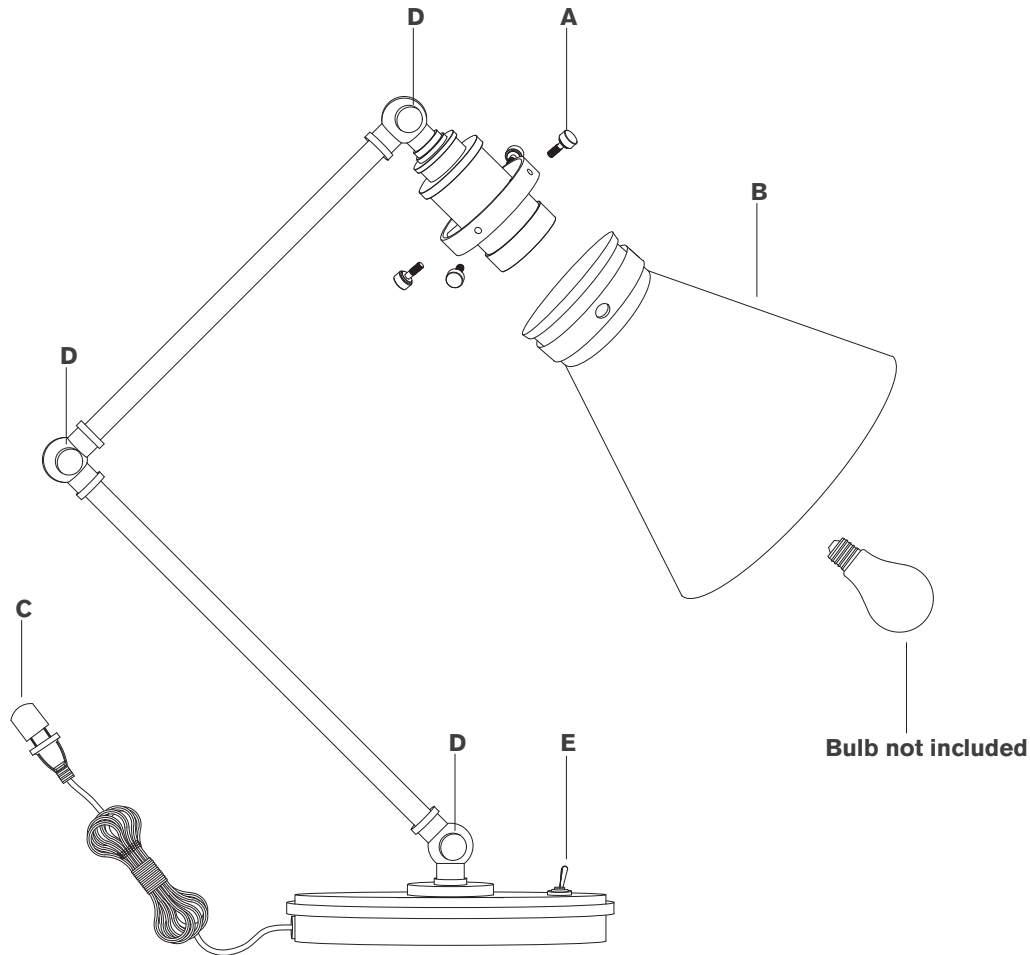
## ASSEMBLY INSTRUCTIONS

## Parkington Medium Articulating Desk Lamp

Item # CHA8010

### NOTICE:

This light fixture should be installed in accordance with all applicable, local installation codes, and by a person familiar with the construction and operation of it, as well as the hazards involved. Inspect item and contents carefully. If any damage or defect is found, do not install. Retain all packaging material until installation is complete and approved.



1. Carefully remove all parts from the box. Place on a clean, soft surface.
2. Install shade (**B**) to fixture and secure with screws (**A**).  
**NOTE:** Do not over-tighten otherwise glass could become damaged.
3. To adjust the fixture loosen the adjustment knobs (**D**), adjust to desired position, then tighten knobs (**D**).
4. Install light bulb into the socket.
5. Remove protective cover (**C**) from plug.
6. Plug into electrical outlet and test fixture.  
**NOTE:** Use switch (**E**) on base to operate lamp.

**Care Instructions:** Clean only with a soft dry cloth or feather duster. Do not use abrasive or chemical agents.