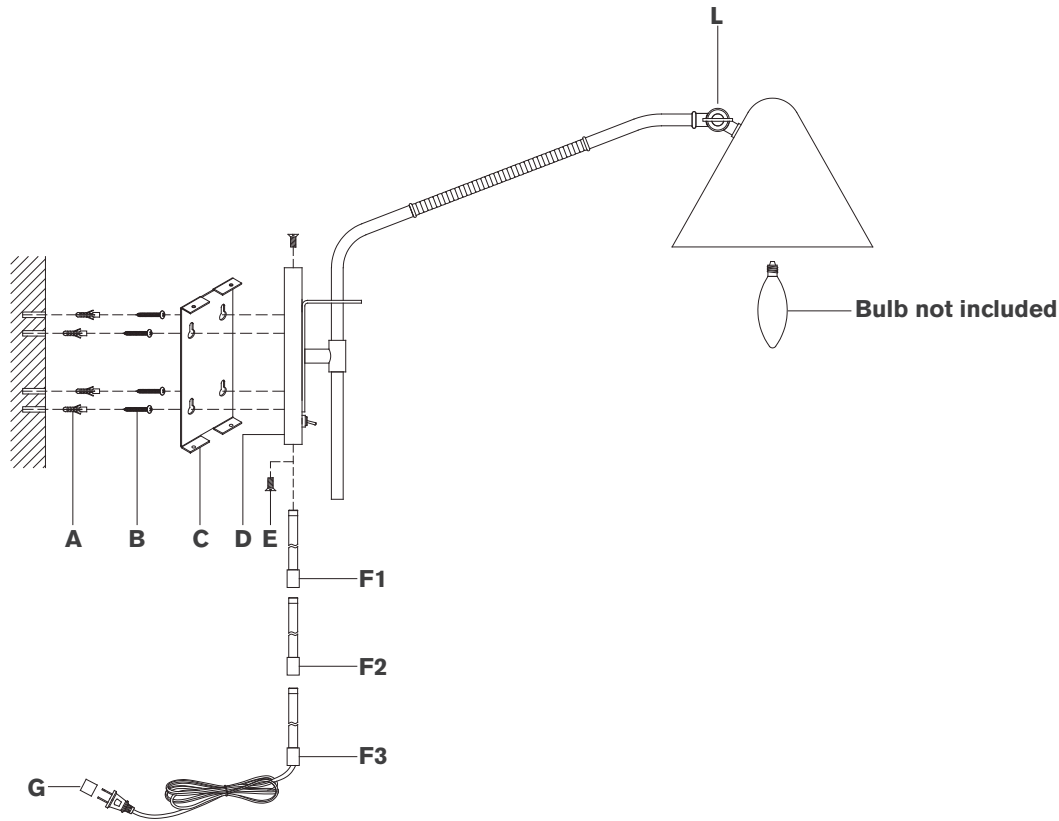


## ASSEMBLY INSTRUCTIONS

### Portable assembly



## Laken Medium Articulating Wall Light

Item # AL 2020

### NOTICE:

This light fixture should be installed in accordance with all applicable, local installation codes, and by a person familiar with the construction and operation of it, as well as the hazards involved. Inspect item and contents carefully. If any damage or defect is found, do not install. Retain all packaging material until installation is complete and approved.

### TOOLS REQUIRED (NOT INCLUDED):

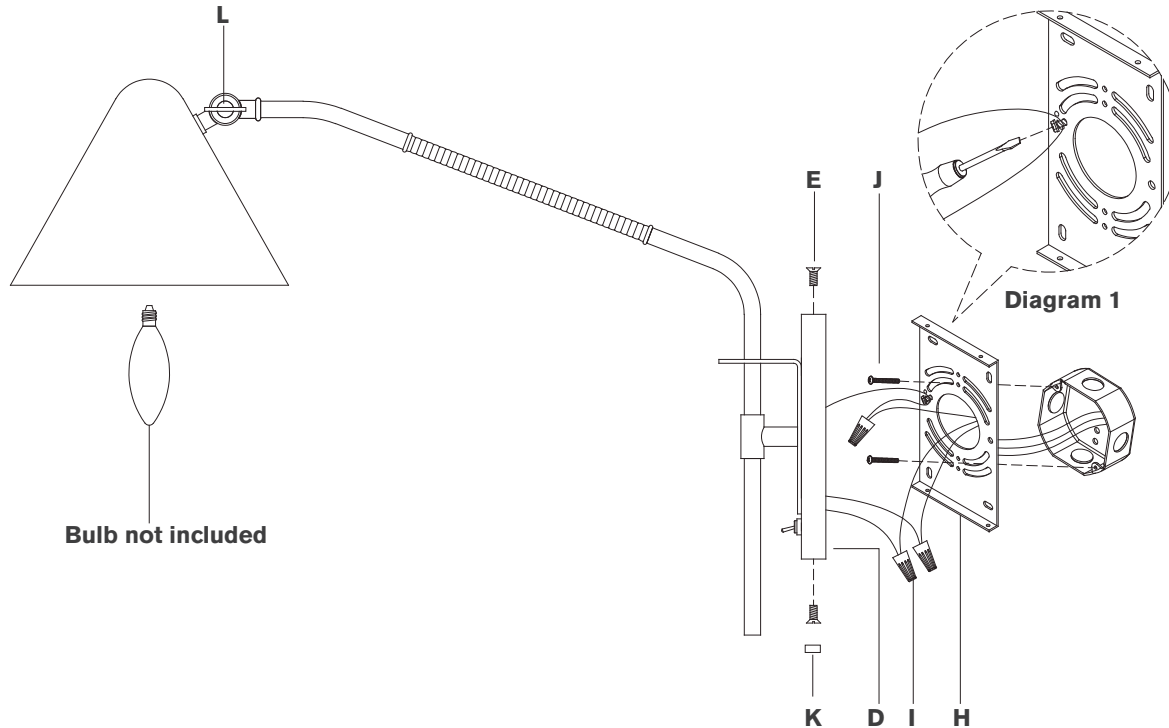
Phillips Screwdriver	Slotted Screwdriver	Drill
Pencil	Hammer	

1. Carefully remove all parts from the box. Place on a clean, soft surface.
2. Remove portable mounting plate **(C)** from fixture **(D)** by removing screws **(E)**.
3. Using portable mounting plate **(C)** as a guide, mark anchor positions.
4. Using a drill bit slightly smaller than the anchor, drill holes in the marked positions. Install anchors **(A)** into holes using hammer.
5. Install portable mounting plate **(C)** to wall anchors using wood screws **(B)**, then secure fixture **(D)** to portable mounting plate **(C)** using screws **(E)**.
6. Thread cord covers **(F1)** & **(F2)** & **(F3)** to fixture **(D)**.
7. Loosen knob **(L)** to adjust fixture to desired position, then tighten knob **(L)**.
8. Install light bulb into the socket.
9. Remove protective cover **(G)** from plug.
10. Plug into electrical outlet and test the fixture.

**Care Instructions:** Clean only with a soft dry cloth or feather duster. Do not use abrasive or chemical agents.

## ASSEMBLY INSTRUCTIONS

### Hardwire assembly



## Laken Medium Articulating Wall Light

Item # AL 2020

### NOTICE:

This light fixture should be installed in accordance with all applicable, local installation codes, and by a person familiar with the construction and operation of it, as well as the hazards involved. Inspect item and contents carefully. If any damage or defect is found, do not install. Retain all packaging material until installation is complete and approved.

### TOOLS REQUIRED (NOT INCLUDED):

Phillips Screwdriver

Slotted Screwdriver

1. Carefully remove all parts from the box. Place on a clean, soft surface.
2. Remove portable mounting plate (C) from fixture (D) by removing screws (E).
3. Install hardwire mounting plate (H) (located inside packaging) to the junction box and secure with mounting screws (J).
4. Remove cord covers and portable cord by loosening the wire nuts.
5. Insert direct wire plug (K) to the bottom of fixture (D).
6. Wrap fixture ground wire (bare copper) around the green grounding screw (see diagram 1). Tighten. Continue fixture ground wire and connect to supply ground wire (usually green or bare copper) using wire nut (I).
- NOTE:** It is imperative that the fixture is grounded.
7. Connect fixture neutral wire (white) to the supply neutral wire (usually white) using wire nut (I).
8. Connect fixture hot wire (black) to the supply hot wire (usually black) using wire nut (I).
- CAUTION:** Do not reverse the hot and neutral connections.
9. Make sure all wire connections are tight, then carefully tuck into the junction box.
10. Install fixture (D) to mounting plate (H) and secure with screws (E).
11. Loosen knob (L) to adjust fixture to desired position, then tighten knob (L).

**Care Instructions:** Clean only with a soft dry cloth or feather duster. Do not use abrasive or chemical agents.