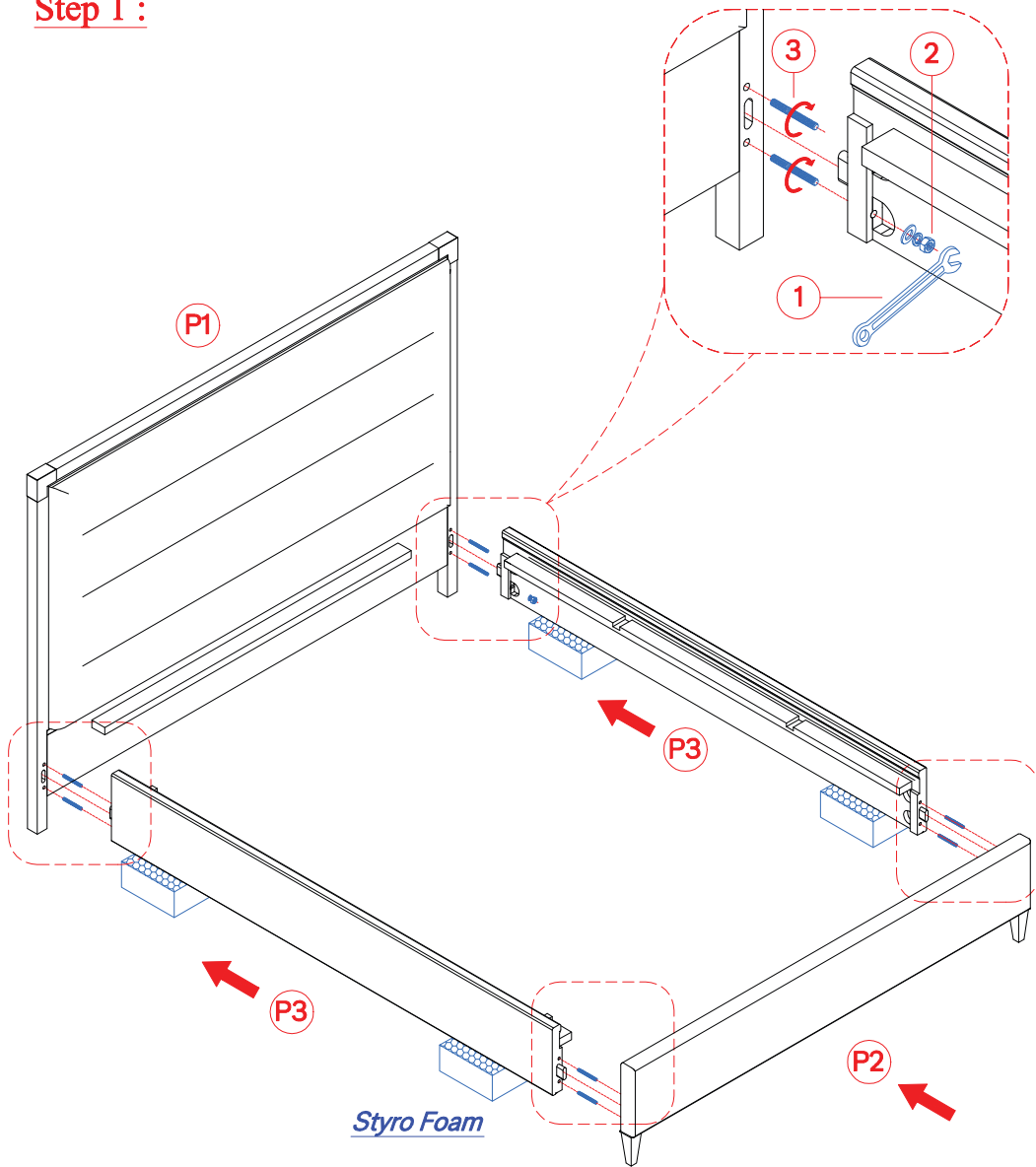


# TAS82002

## ASSEMBLY\_INSTRUCTION

### Step 1 :



### Step 2 :

