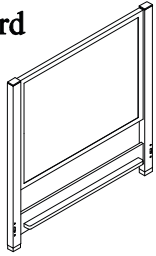


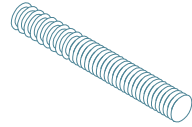
TA82012 ASSEMBLY INSTRUCTION

P1 Headboard



x 1

01 Steel threaded bar



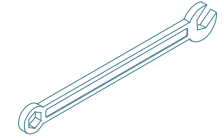
x 8

02 Hexagonal nut & washer



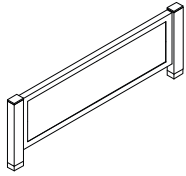
x 8

03 Steel open wrench



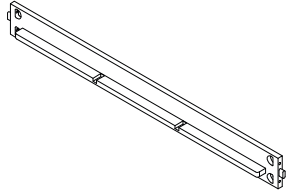
x 1

P2 Footboard



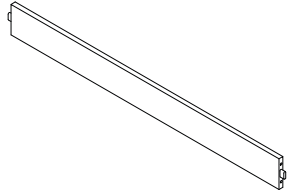
x 1

P3 Side Rail (Left)



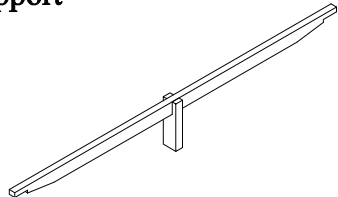
x 1

P4 Side Rail (Right)

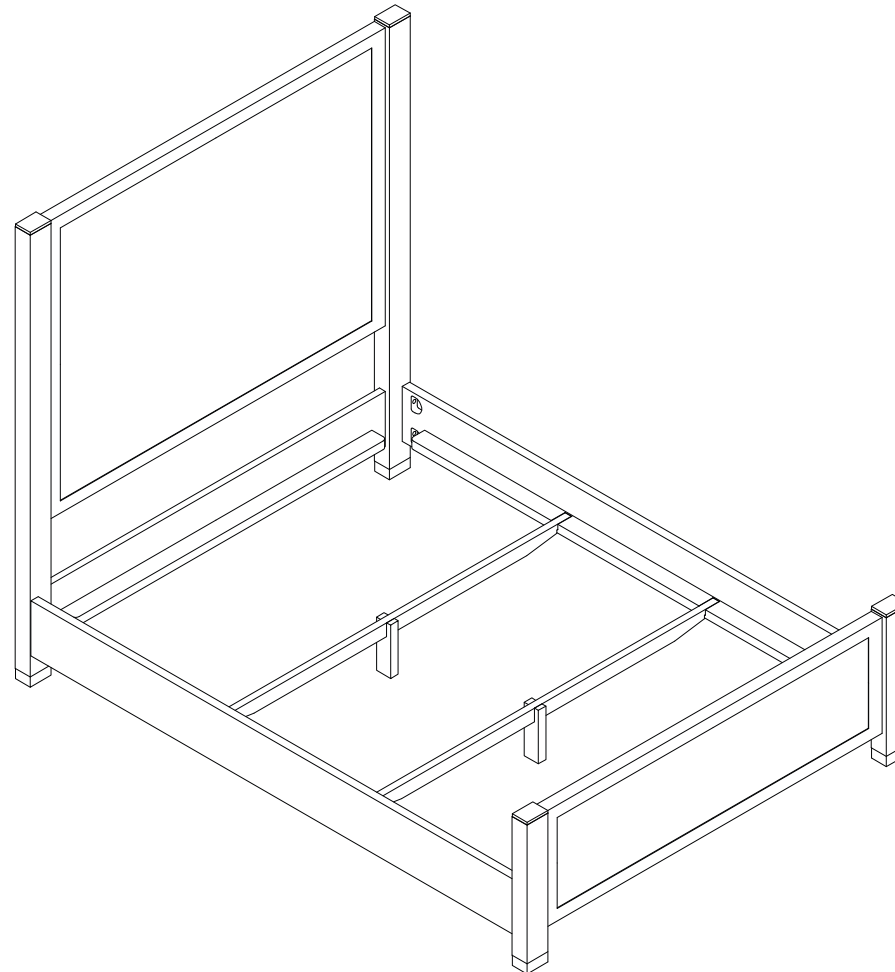


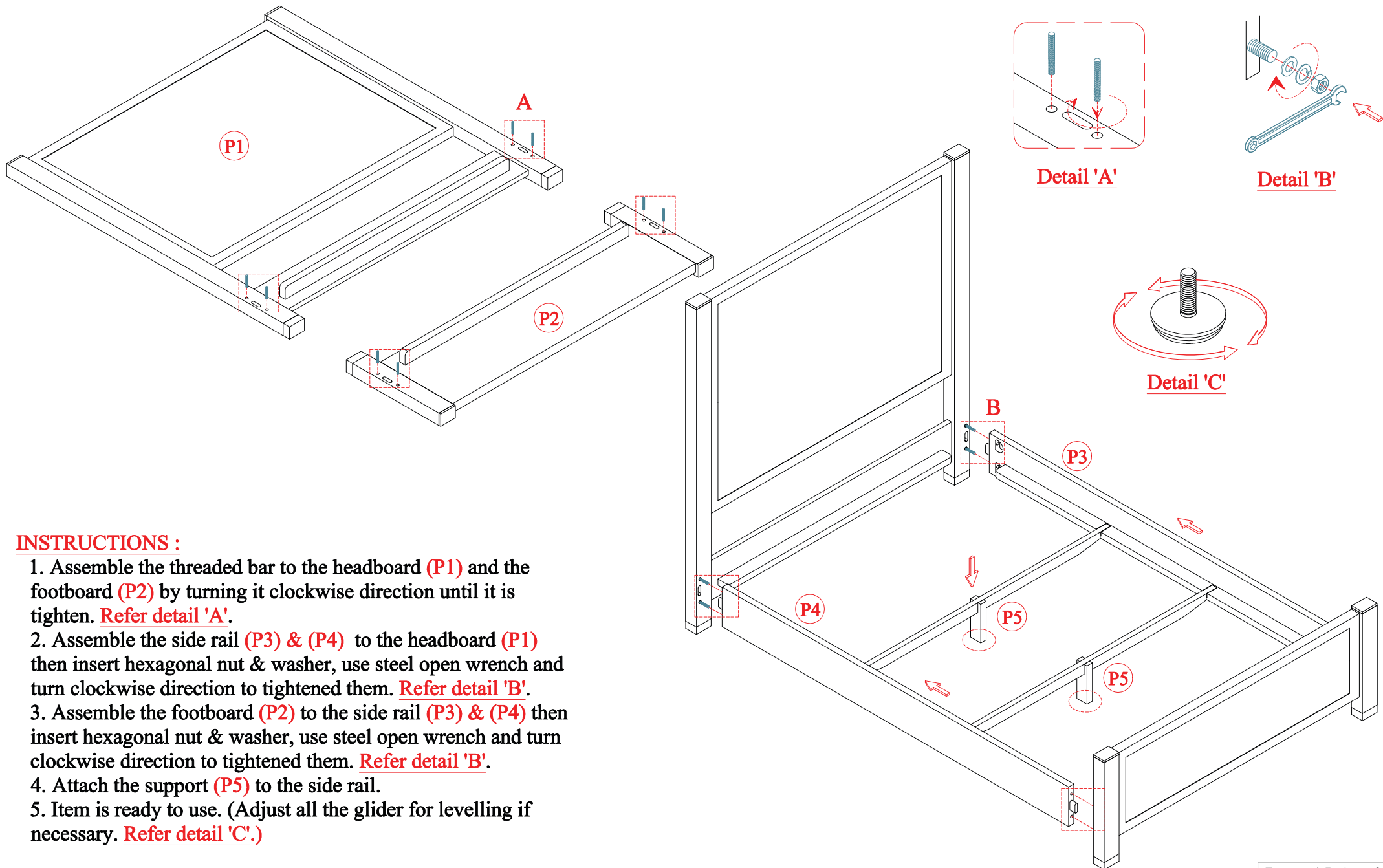
x 1

P5 Support



x 2



**INSTRUCTIONS :**

1. Assemble the threaded bar to the headboard (P1) and the footboard (P2) by turning it clockwise direction until it is tightened. Refer detail 'A'.
2. Assemble the side rail (P3) & (P4) to the headboard (P1) then insert hexagonal nut & washer, use steel open wrench and turn clockwise direction to tightened them. Refer detail 'B'.
3. Assemble the footboard (P2) to the side rail (P3) & (P4) then insert hexagonal nut & washer, use steel open wrench and turn clockwise direction to tightened them. Refer detail 'B'.
4. Attach the support (P5) to the side rail.
5. Item is ready to use. (Adjust all the glider for levelling if necessary. Refer detail 'C'.)