

## PRODUCT FEATURES

- Efficient, classic adjustable spot head design
- Adjustable spot head design and variable stem length options available
- Fully dimmable integrated LED lamp
- Available in two on-trend finishes, Aged Brass and Satin Nickel
- Idea for residential and commercial lighting applications
- 5 year warranty with no lamping option. 5 year warranty with LED lamping option, visit [techlighting.com](http://techlighting.com) for more warranty details



## LAMPING

Ships with 7 watt, 486 delivered lumen, 2700K or 3000K, field replaceable LED module. Dimmable with Low-Voltage electronic or magnetic dimmer (based on transformer). Ace head can pivot 90° (horizontal to straight down). Integrated lens holder accommodates up to (2) lenses and louvers (sold separately). As a general rule when using the Ace head, we do not recommend using greater than 33% of the maximum wattage specified for the low voltage transformer due to inrush current requirements. For assistance in calculations, please contact Technical Support.

Aged Brass



Aged Brass

Antique Bronze

Satin Nickel

## ORDERING INFORMATION

700	SYSTEM	ACE	CRI	COLOR TEMP	BEAM SPREAD	LENGTH (A)	FINISH	LAMP
	FJ FREEJACK		9 90 CRI	27 2700K	40 40°	5 5"	R AGED BRASS	LED
	MP MONOPOINT			30 3000K		14 14"	Z ANTIQUE BRONZE	
	MO MONORAIL						S SATIN NICKEL	
	MO2 TWO-CIRCUIT MONORAIL							

Note. Note. MP includes 4" Round Flush Canopy.  
Aged Brass is not available for Two-Circuit Monorail.

700 \_\_\_\_\_ ACE \_\_\_\_\_

JOB NAME \_\_\_\_\_

NOTES \_\_\_\_\_

\_\_\_\_\_

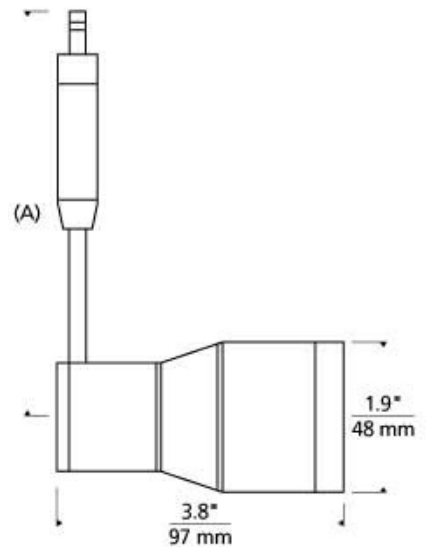
\_\_\_\_\_



# ACE HEAD

## SPECIFICATIONS

HARDWARE MATERIAL	Metal
SHADE MATERIAL	Metal
NET WEIGHT	0.5 lbs
HEIGHT	3.8in
WIDTH	1.9in
LENGTH	3.8in
BEAM SPREAD	
UP LIGHT / DOWN LIGHT / BOTH?	
WET LISTED	
DAMP LISTED	
DRY LISTED	Yes
MIN. HANGING HEIGHT	14in
MAX HANGING HEIGHT	14in
TOTAL CORD LENGTH	
SLOPED CEILING ADAPTABLE?	
GENERAL LISTING	
INCLUDES	



## LAMPING SPECIFICATIONS

	LED LAMP	INTEGRATED LED	NON LED	NO LAMP
DELIVERED LUMENS		486		
WATTS		7		
MAX WATTAGE PER BULB		7W		
INPUT VOLTAGE		12V 120V		
DIMMING TYPE*		ELV, TRIAC		
CCT		2700K 3000K		
CRI		90 CRI		
LED LIFETIME				
L70				
AVERAGE BULB HOURS		50000		
FIELD SERVICEABLE LED				
LAMP BASE		Integrated LED		
LAMP SHAPE		Integrated LED		
LAMP INCLUDED?		Y		
WARRANTY**		5 Years		

\* Dimming information available at [www.techlighting.com/Downloads#dimming](http://www.techlighting.com/Downloads#dimming)

\*\* Visit [techlighting.com](http://techlighting.com) for specific warranty limitations and details.

## T20 / T24 INFORMATION

	Integrated LED	Replacement LED Lamp	No Lamp *
This product can be used to comply with California Building Energy Efficiency Standards 2016 <b>Title 24</b> Part 6.			
This product can be used to comply with California Appliance Efficiency Standards 2016 <b>Title 20</b> and may be shipped to and sold in California.			

\* If a light fixture or component does not include a lamp or light source, it is the responsibility of the customer to select a lamp that meets the T24 and T20 requirements.

