

GILDED STAR MIRROR US KING BED








Thank you for choosing this quality product. Be sure to check all packaging materials carefully for small parts that may have loosened inside the carton during shipment and place on a non-abrasive surface.

IMPORTANT: These parts can be cumbersome and heavy to some people, therefore, the assistance of two or more people are recommended in order to prevent personal injury and ensure the furniture is not damaged during the assembly Process.

PART LIST

- A. [1] HEADBOARD
- B. [2] SIDE RAILS
- C. [1] FOOTBOARD
- D. [2] SUPPORT SLATS
- E. [7] BED SLATS
- F. [4] DECO

HARDWARE LIST

NO	DESCRIPTION	QTY
1	 THREADED ROD	8
2	 CURVED WASHER	8
3	 LOCK WASHER	8
4	 HEX NUT	8
5	 WRENCH	1
6	 ALLEN BOLT	8
7	 ALLEN WRENCH	1

INSTRUCTIONS:

1. Place the headboard (A) upright in the position you wish the bed to be in when fully assembled.
3. Secure the threaded rod (1) to the fixed nut in the headboard (A) by simply turning it manually.
4. Raise the side rail (B) up and place the rod (1) to align with the bore holes on the end of the side rail (B). Put the side rail (B) up against the headboard (A) so the threaded rods (1) go through the bore holes. Insert curved washers (2), lock washers (3) and place hex nuts (4) on threaded rods (1) then tighten the hex nuts (4) with wrench (5), as illustrated in FIGURE 01.
5. Repeat the above procedure with the other side rail (B) to attach it to the headboard (A), and then repeat to connect side rails (B) to the footboard (C).
6. On inside of both headboard (A) and footboard (C) are pre-installed wooden brackets for the support slat (D). Set the support slat (D) on the wood bracket, as illustrated in FIGURE 02.
7. On inside surface of both side rails (B) are cavities designed to hold the individual bed slats (E). Set individual bed slats (E) on both sides of the side rails (B) as illustrated in FIGURE 03.
8. Attach the deco parts (F) by using Allen bolts (6) provided as illustrated on FIGURE 04.
9. Assembly is complete.

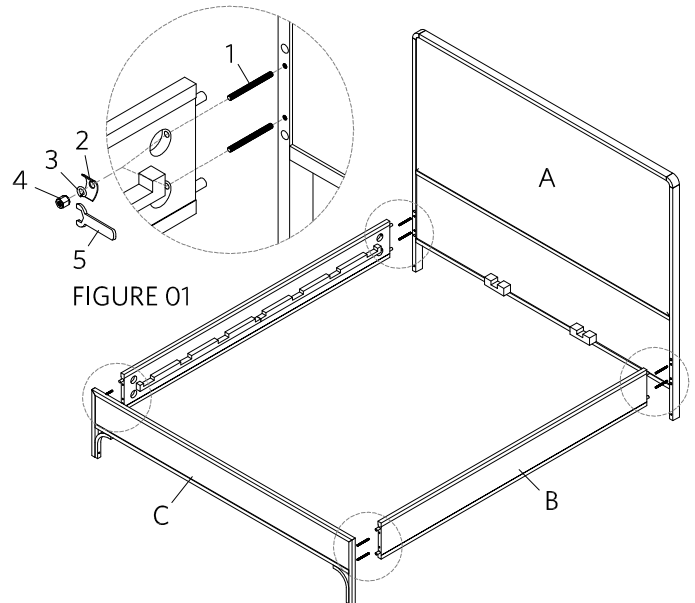


FIGURE 01

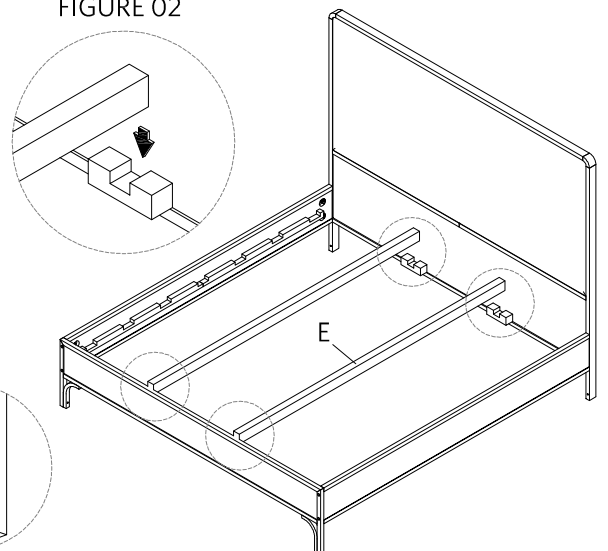


FIGURE 02

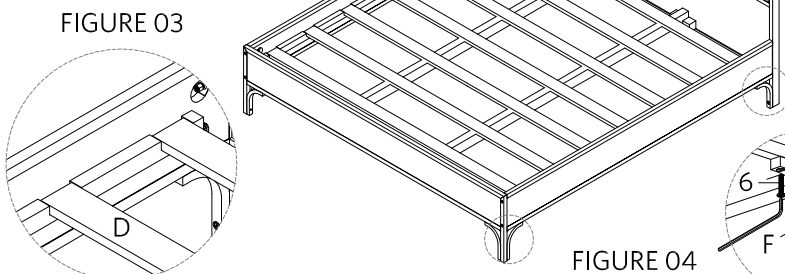


FIGURE 03

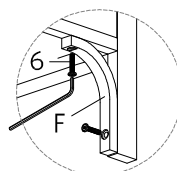


FIGURE 04