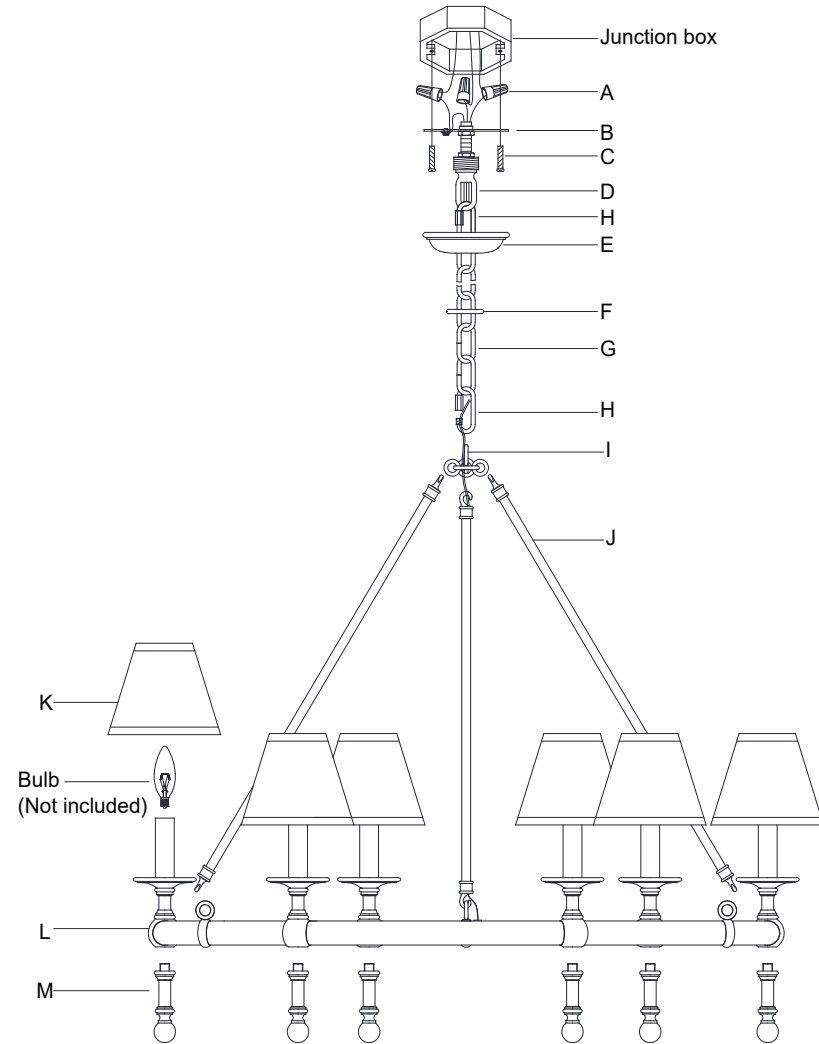


ASSEMBLY INSTRUCTIONS



Classic Ring Chandelier

Item # SL 5812

WE RECOMMEND INSTALLATION OF THIS LIGHTING FIXTURE BE DONE BY A LICENSED ELECTRICIAN.

WARNING*SWITCH OFF THE MAIN ELECTRICAL SUPPLY FROM THE MAIN FUSE BOX/CIRCUIT BREAKER BEFORE INSTALLATION.**

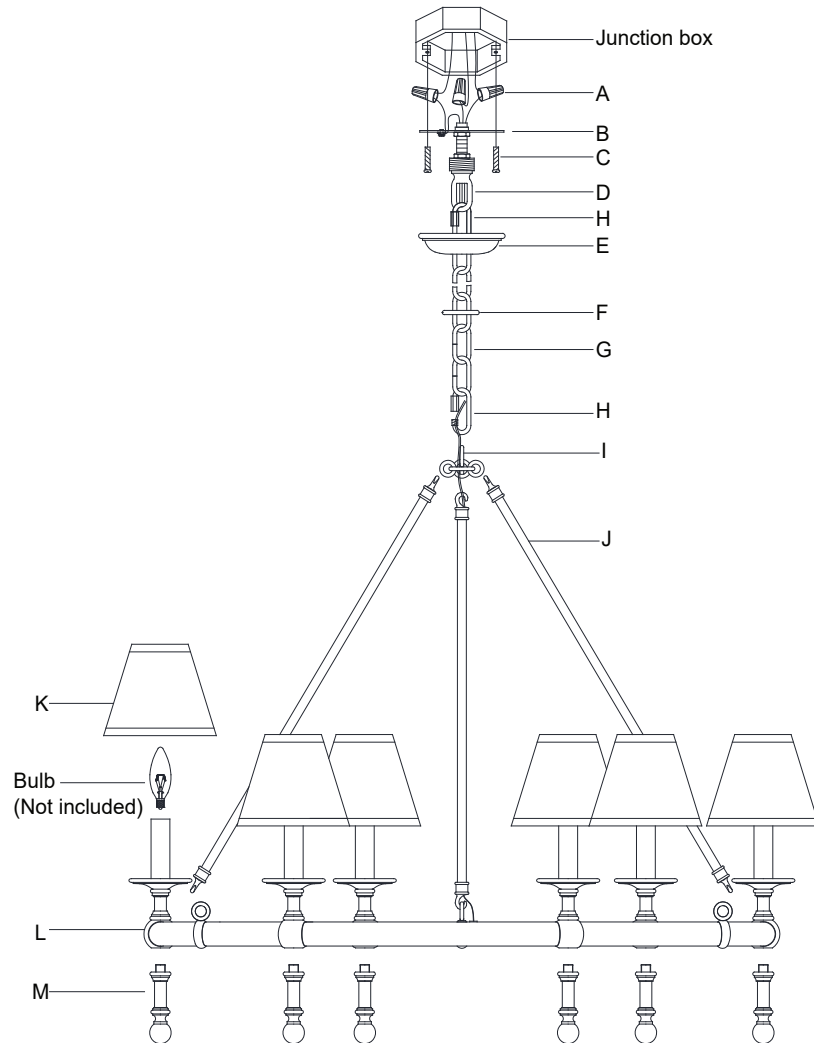
INSPECT ITEM CAREFULLY BEFORE ATTEMPTING TO INSTALL. IF THERE IS ANY DAMAGE OR OBVIOUS DEFECT. DO NOT INSTALL.

ITEM MAY NOT BE RETURNED ONCE IT HAS BEEN INSTALLED.

NOTE: CAREFULLY UNPACK EACH PIECE IN TOP LAYER OF PACKING PRIOR TO REMOVING. RETAIN ALL PACKING MATERIAL UNTIL INSPECTION AND INSTALLATION ARE FINAL.

1. Carefully remove all parts from the box.
2. Remove the collar loop (D) from the chain (G) by unscrewing the quick link (H).
3. Install the mounting plate (B) and collar loop (D) to the junction box with the mounting screws (C) provided. Using a wrench (not provided) secure the mounting plate (B) and the collar loop (D) to the threaded nipple using provided hex nuts.
4. Install the canopy (E) to the collar loop (D) and secure with the collar ring (F). If needed, adjust canopy (E) height by loosening hex nuts and screwing collar loop (D) up or down then re-secure.
5. With the fixture desired height, shorten the chain (G) as needed using the chain pliers.
6. Open the chain quick link (H), then attach the chain quick link (H) to the collar loop (D). Secure the chain quick link (H).
7. Open the chain quick link (H) from the opposite side then attach to the fixture loop (I). Secure the chain quick link (H).
8. Hang the hanging rods (J) to the fixture body (L), then hang the opposite side to the fixture loop (I).
9. Thread the finial (M) to the bottom of the fixture body (L).
10. Weave the fixture wires through the chain (G).
11. When you reach the canopy and collar loop (D), measure the wires then cut. Be certain to leave enough to connect inside of the junction box.
12. Strip the insulation on the fixture wires about 5/8".
13. Loosen the collar ring (F) and let the canopy (E) slip down the chain (G) carefully.
14. Twist the fixture wires together and push through the center hole of the collar loop (D).

ASSEMBLY INSTRUCTIONS



Classic Ring Chandelier

Item # SL 5812

WE RECOMMEND INSTALLATION OF THIS LIGHTING FIXTURE BE DONE BY A LICENSED ELECTRICIAN.

WARNING*SWITCH OFF THE MAIN ELECTRICAL SUPPLY FROM THE MAIN FUSE BOX/CIRCUIT BREAKER BEFORE INSTALLATION.**

INSPECT ITEM CAREFULLY BEFORE ATTEMPTING TO INSTALL. IF THERE IS ANY DAMAGE OR OBVIOUS DEFECT. DO NOT INSTALL.

ITEM MAY NOT BE RETURNED ONCE IT HAS BEEN INSTALLED.

NOTE: CAREFULLY UNPACK EACH PIECE IN TOP LAYER OF PACKING PRIOR TO REMOVING. RETAIN ALL PACKING MATERIAL UNTIL INSPECTION AND INSTALLATION ARE FINAL.

15. Wrap the fixture ground wire to the green ground screw on the mounting plate (B) and secure, then connect to the ground wire in the junction box using the wire nut (A).
IT IS IMPERATIVE THAT THIS FIXTURE BE GROUNDED.
16. Connect the fixture ribbed wire (no markings) to the house neutral wire with the wire nut (A).
17. Connect the fixture smooth wire (with markings) to the house hot wire with the wire nut (A).
DO NOT REVERSE THE HOT AND NEUTRAL CONNECTIONS OTHERWISE SAFETY WILL BE COMPROMISED.
18. Carefully tuck the wire connections into the junction box.
19. Install the canopy (E) to the junction box and secure with the collar ring (F).
20. Insert bulbs (not included) into the sockets.
21. Clip the shades (K) onto the bulbs.
22. Installation is complete, turn on power at fuse or circuit breaker.

***Clean with a dry, soft cloth only. Use no harsh abrasives or chemical agents.