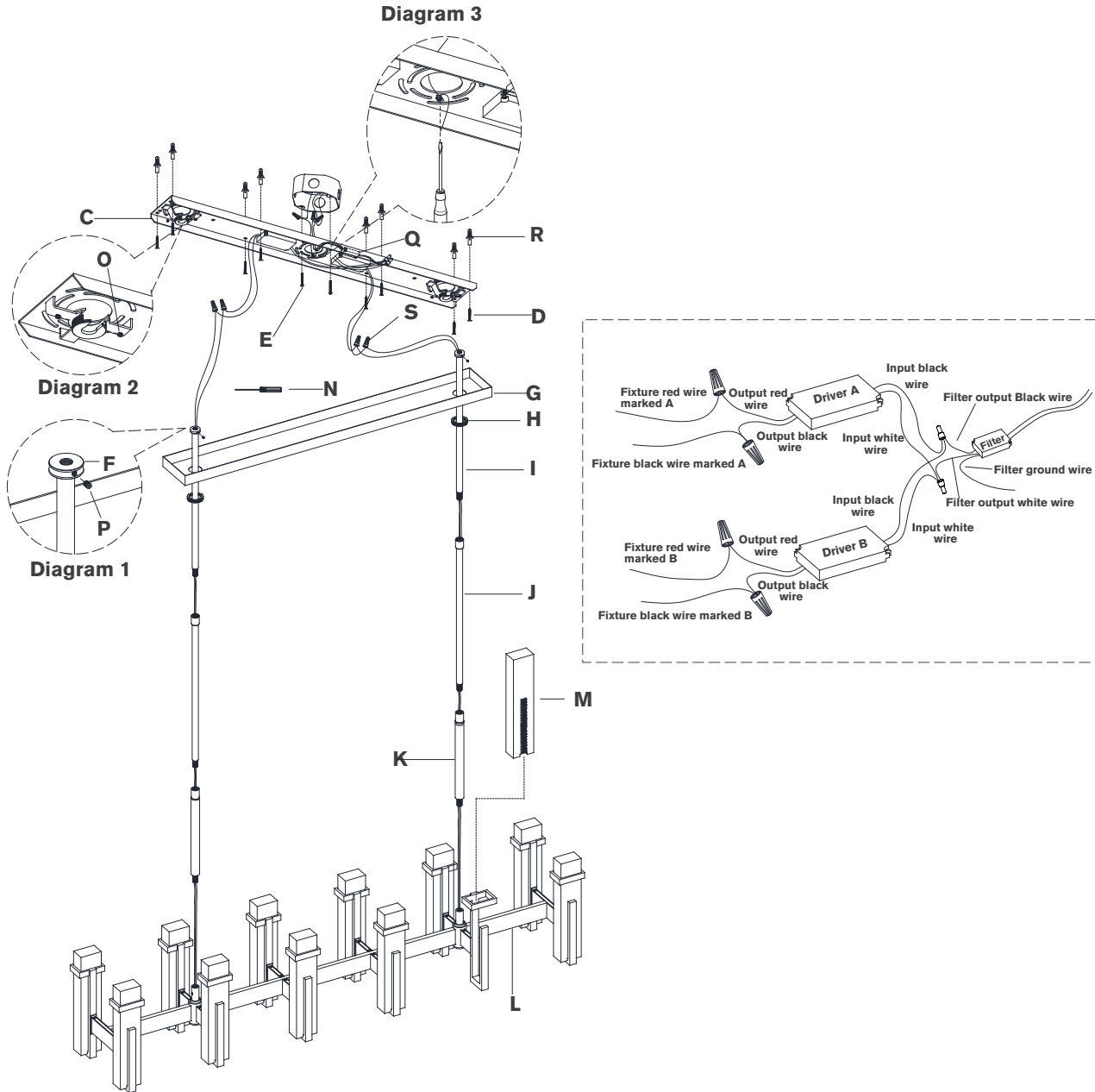


# ASSEMBLY INSTRUCTIONS



## Malik Large Linear Chandelier

Item # S 5915

### NOTICE:

This light fixture should be installed in accordance with all applicable, local installation codes, and by a person familiar with the construction and operation of it, as well as the hazards involved. Inspect item and contents carefully. If any damage or defect is found, do not install. Retain all packaging material until installation is complete and approved.

### TOOLS REQUIRED (NOT INCLUDED):

Phillips Screwdriver	Slotted Screwdriver	Wire Cutters
Slip Joint Pliers	Wire Strippers	Pencil
Drill	Hammer	

### PERSONS REQUIRED: Two

- Carefully remove all parts from the box. Place on a clean, soft surface.
- Using the mounting plate (C) as a guide, line up with the junction box and mark anchor positions.
- Using a drill bit slightly smaller than the anchor, drill holes in the marked positions. Install anchors (R) into the holes using hammer.
- Install mounting plate (C) to junction box and secure with mounting screws (E), then secure wood screws (D) to anchors (R).
- Feed fixture wires and safety cable through bottom rods (K) and connect to fixture body (L). Repeat for middle rods (J), connecting to bottom rods (K).
- Continue feeding fixture wires and safety cable through collar rings (H), canopy (G) and top rods (I).

**NOTE:** It is recommended to have a helper assist in supporting the fixture for steps 7-8.

- Holding fixture upright, slide collar rings (H) and canopy (G) down bottom rods (K) and rest on fixture body (L). Then connect top rods (I) to middle rods (J). Tighten set screw (P) using provided screwdriver (N). (See diagram 1).

**NOTE:** Slide components down slowly to avoid damages.

## ASSEMBLY INSTRUCTIONS

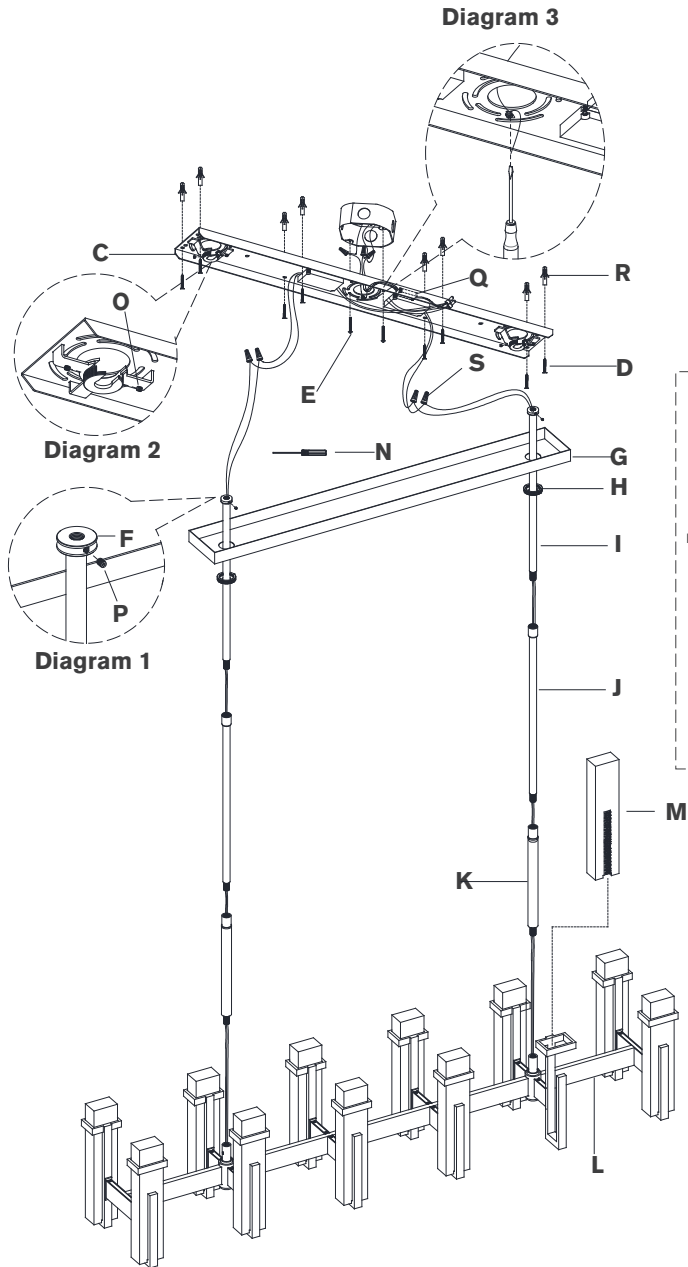
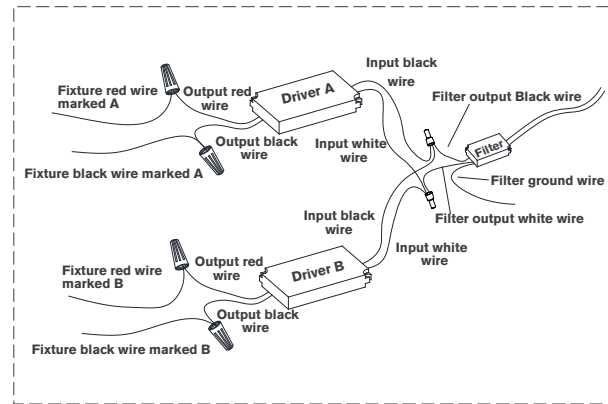


Diagram 3



## Malik Large Linear Chandelier

Item # S 5915

### NOTICE:

This light fixture should be installed in accordance with all applicable, local installation codes, and by a person familiar with the construction and operation of it, as well as the hazards involved. Inspect item and contents carefully. If any damage or defect is found, do not install. Retain all packaging material until installation is complete and approved.

8. Hang fixture mount (**F**) to mounting plate (**C**) and tighten set screws (**O**) using provided screwdriver (**N**). (See diagram 2).
  9. Cut excess wires, being sure to leave enough to reach the junction box. Separate wires, and strip insulation on each 5/8".
  10. Connect fixture neutral wires (black) to the driver output neutral wires (black) using wire nut (**S**).
  11. Connect fixture hot wires (red) to the driver output hot wires (red) using wire nut (**S**).
- NOTE:** Power is supplied by two drivers. Make sure to connect fixture wires (A) to driver wires (A). Repeat steps for driver (B).
12. Wrap filter (**Q**) ground wire (green) around the green grounding screw (see diagram 3). Tighten. Continue filter ground wire and connect to supply ground wire (usually green or bare copper) using wire nut (**S**).
- NOTE:** It is imperative that the fixture is grounded.
13. Connect filter (**Q**) input neutral wire (white) to the supply neutral wire (usually white) using wire nut (**A**).
  14. Connect filter (**Q**) input hot wire (black) to the supply hot wire (usually black) using wire nut (**A**).
- CAUTION:** Do not reverse the hot and neutral connections.
15. Make sure all wire connections are tight, then carefully tuck into the junction box.
  16. Install canopy (**G**) to mounting plate (**C**) and secure with collar ring (**H**).
  17. Insert shades (**M**) into fixture body.

**Care Instructions:** Clean only with a soft dry cloth or feather duster. Do not use abrasive or chemical agent.

VISUAL COMFORT

