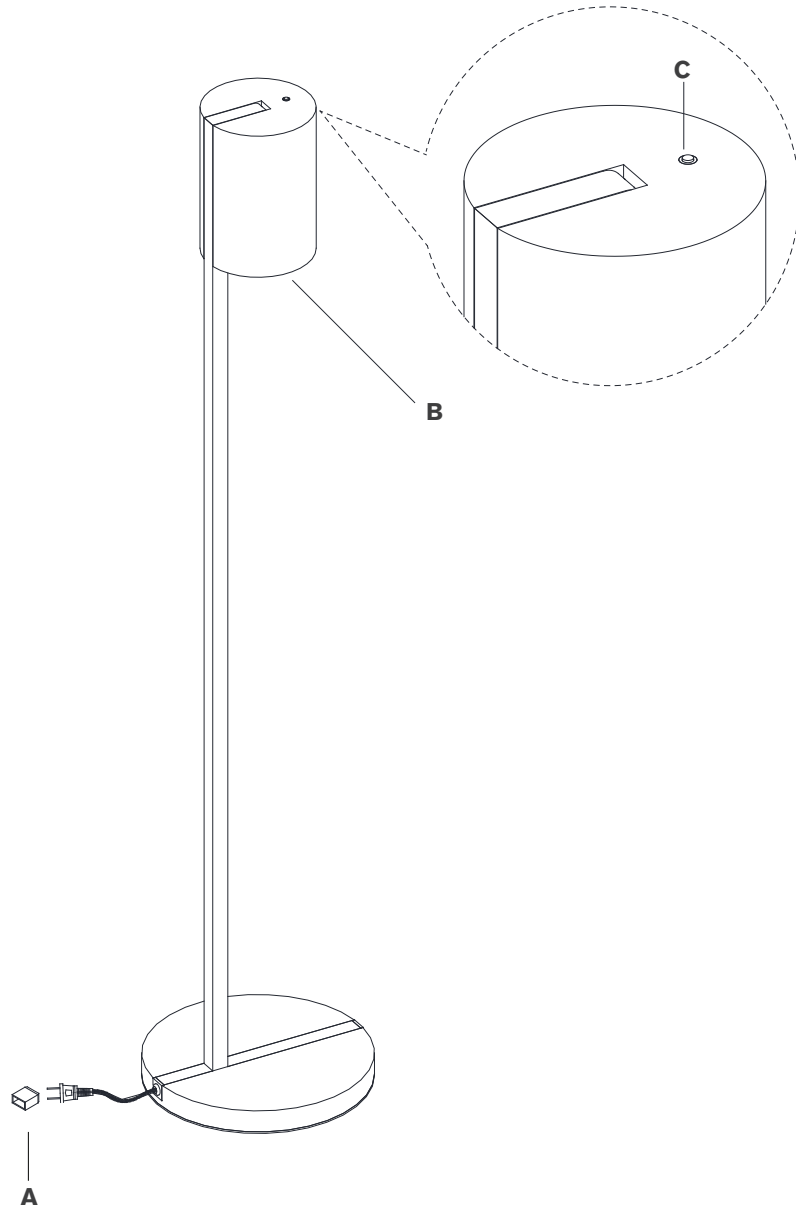


ASSEMBLY INSTRUCTIONS



Anthony Pivoting Floor Lamp

Item # S 1505

NOTICE:

This light fixture should be installed in accordance with all applicable, local installation codes, and by a person familiar with the construction and operation of it, as well as the hazards involved. Inspect item and contents carefully. If any damage or defect is found, do not install. Retain all packaging material until installation is complete and approved.

1. Carefully remove all parts from the box. Place on a clean, soft surface.
2. Remove protective plug cover **(A)** from the plug.
3. Plug into a proper electrical outlet and test the fixture.
Dimmer switch operation: Touch dimmer **(C)** to adjust between low, medium, high and off settings.
4. Adjust the shade **(B)** to desired angle.

Care Instructions: Clean only with a soft dry cloth or feather duster. Do not use abrasive or chemical agents.