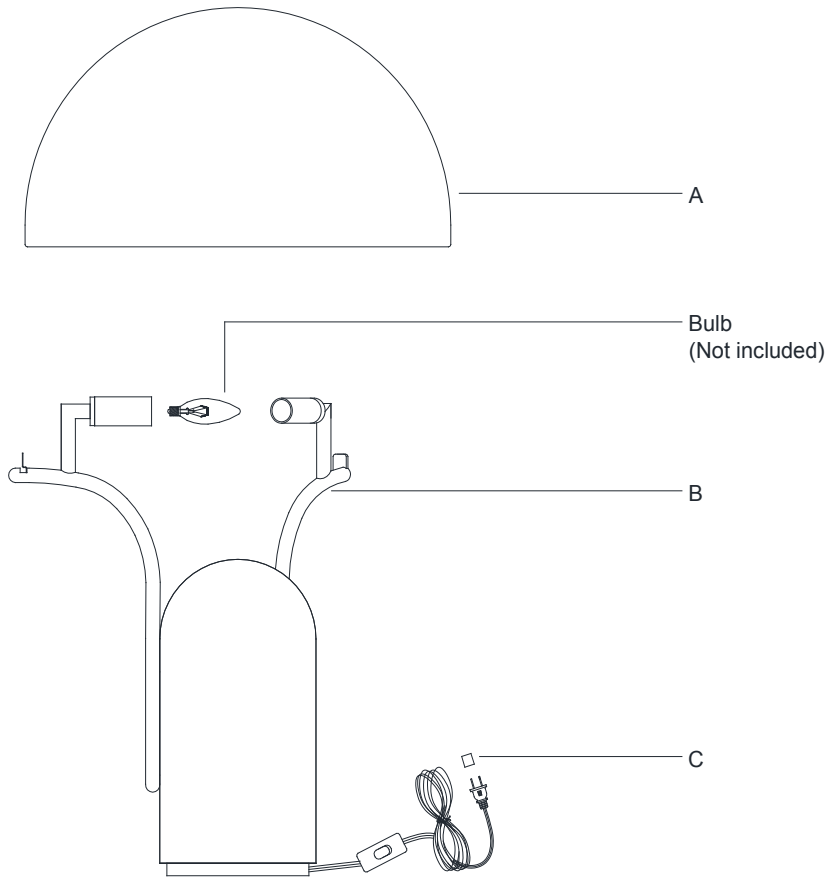


ASSEMBLY INSTRUCTIONS



Affinity Medium Dome Table Lamp

Item # KW 3920

INSPECT ITEM CAREFULLY BEFORE ATTEMPTING TO INSTALL. IF THERE IS ANY DAMAGE OR OBVIOUS DEFECT. DO NOT INSTALL.

ITEM MAY NOT BE RETURNED ONCE IT HAS BEEN INSTALLED.

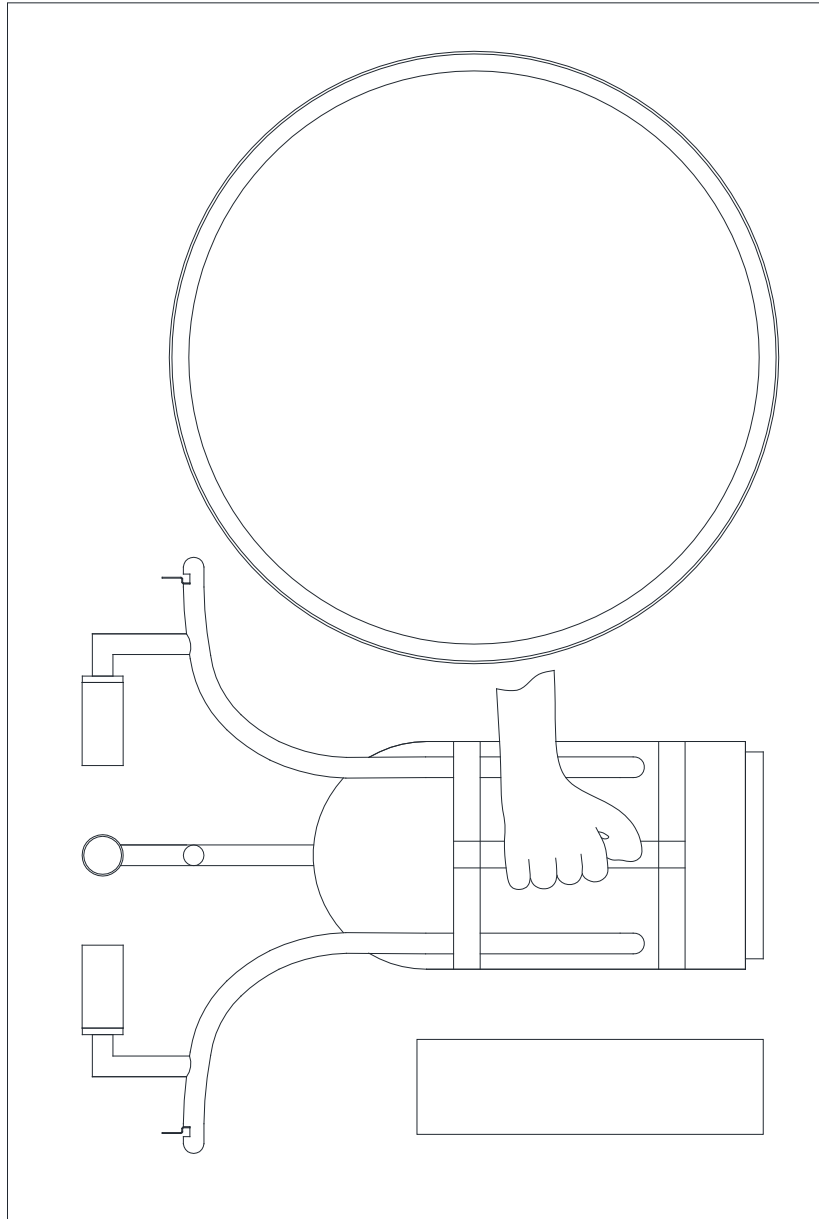
NOTE: CAREFULLY UNPACK EACH PIECE IN TOP LAYER OF PACKING PRIOR TO REMOVING. RETAIN ALL PACKING MATERIAL UNTIL INSPECTION AND INSTALLATION ARE FINAL.

1. Carefully remove all parts from the box.
2. Place the metal shade (A) onto the bracket (B) and secure by bending the metal tabs.
3. Insert bulbs (not included) into the sockets.
4. Remove protective plug cover (C) from the plug.
5. Plug into a proper electrical outlet and test the fixture.
6. Installation is complete.

***Clean with a dry, soft cloth only. Use no harsh abrasives or chemical agents.



UNPACKING NOTICE



Affinity Medium Dome Table Lamp

Item # KW 3920

THE FOLLOWING INSTRUCTIONS SHOULD BE READ PRIOR TO UNPACKING YOUR PRODUCT AS THEY ARE INTENDED TO REDUCE OR ELIMINATE ANY POSSIBLE DAMAGE.

-
1. To properly remove lamp from carton, first remove the metal shade from the box.
 2. Grasp the belt on the marble base and take lamp out of the styrofoam.
 3. Put lamp on the table and take off the belt.

Caution: Do not handle stem to remove out box only !