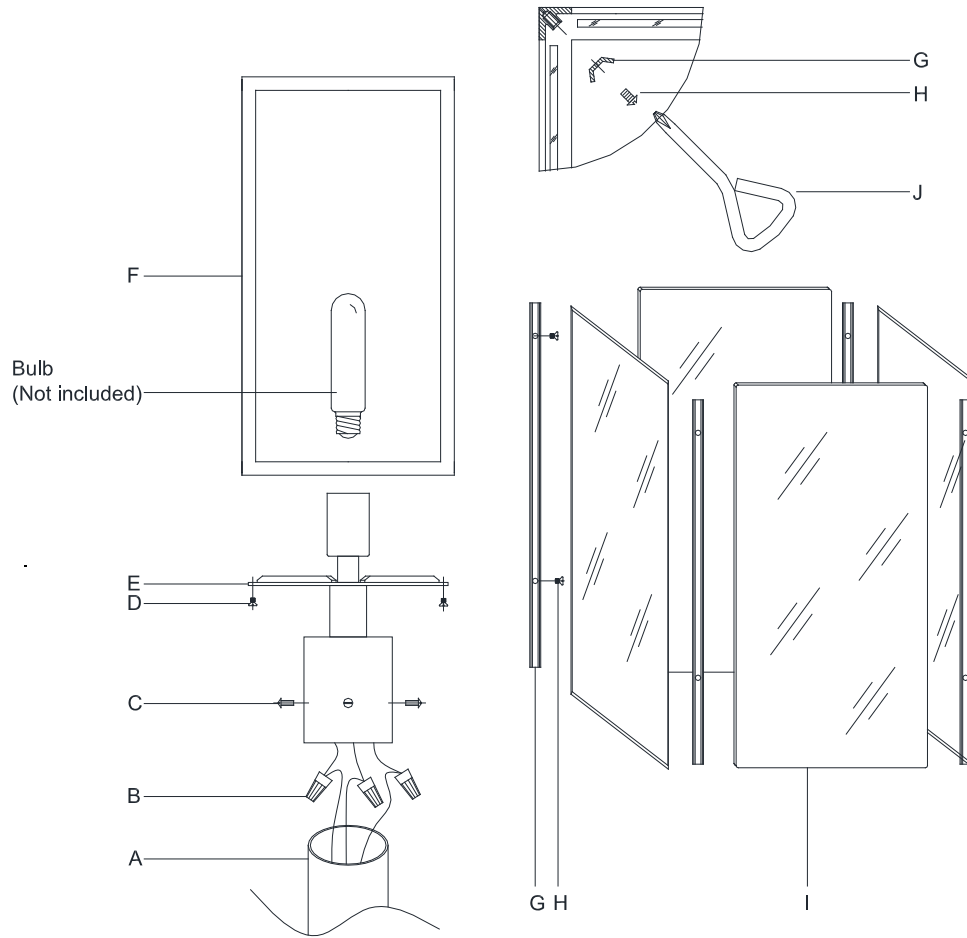


# ASSEMBLY INSTRUCTIONS



## Fresno Post Light

Item # CHO 7933

WE RECOMMEND INSTALLATION OF THIS LIGHTING FIXTURE BE DONE BY A LICENSED ELECTRICIAN.

WARNING\*\*\*SWITCH OFF THE MAIN ELECTRICAL SUPPLY FROM THE MAIN FUSE BOX/CIRCUIT BREAKER BEFORE INSTALLATION.

INSPECT ITEM CAREFULLY BEFORE ATTEMPTING TO INSTALL. IF THERE IS ANY DAMAGE OR OBVIOUS DEFECT. DO NOT INSTALL.

ITEM MAY NOT BE RETURNED ONCE IT HAS BEEN INSTALLED.

NOTE: CAREFULLY UNPACK EACH PIECE IN TOP LAYER OF PACKING PRIOR TO REMOVING. RETAIN ALL PACKING MATERIAL UNTIL INSPECTION AND INSTALLATION ARE FINAL.

1. Carefully remove all parts from the box.
2. Remove the frame (F) from the fixture body (E) by loosening screws (D).
3. Install the glass panels (I) to the frame (F) and secure with the bars (G) & screws (H) by using the wrench (J).
- ATTENTION: DO NOT OVER TIGHTEN SCREWS.
4. Insert bulb (not included) into the socket.
5. Attach the frame (F) to the fixture body (E) and secure with screws (D).
6. Connect ground wire from the fixture (bare copper) to the ground wire from the outlet box (usually green or copper in color) using wire nut (B).
- IT IS IMPERATIVE THAT THIS FIXTURE BE GROUNDED.
7. Connect the fixture Neutral wire (WHITE) with the neutral wire (White) from the outlet box using wire nut (B).
8. Connect the fixture Hot wire (BLACK) with the hot wire (Black) from the outlet box using wire nut (B).
9. Tuck wire connections neatly into post cup.
10. Put the lantern onto the post (A).
11. Use provided screws (C) to fix the lantern on the post.
12. Installation is complete, turn on power at fuse or circuit breaker.

\*\*\*Clean with a dry, soft cloth only. Use no harsh abrasives or chemical agents.