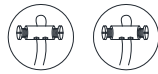
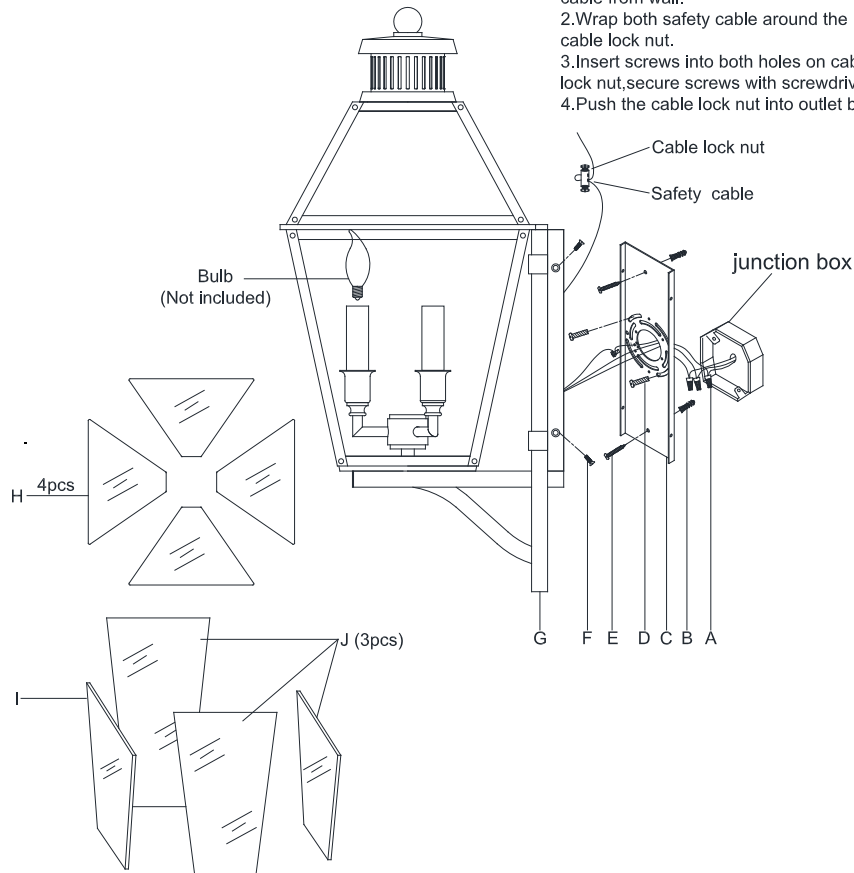


## ASSEMBLY INSTRUCTIONS



- TO assemble safety cables:
1. Join fixture safety cables with safety cable from wall.
  2. Wrap both safety cable around the cable lock nut.
  3. Insert screws into both holes on cable lock nut, secure screws with screwdriver.
  4. Push the cable lock nut into outlet box.



## Stratford Small Bracketed Wall Lantern

Item # CHO 2370

WE RECOMMEND INSTALLATION OF THIS LIGHTING FIXTURE BE DONE BY A LICENSED ELECTRICIAN.

**WARNING\*\*\*SWITCH OFF THE MAIN ELECTRICAL SUPPLY FROM THE MAIN FUSE BOX/CIRCUIT BREAKER BEFORE INSTALLATION.**

**INSPECT ITEM CAREFULLY BEFORE ATTEMPTING TO INSTALL. IF THERE IS ANY DAMAGE OR OBVIOUS DEFECT. DO NOT INSTALL.**

**ITEM MAY NOT BE RETURNED ONCE IT HAS BEEN INSTALLED.**

**NOTE: CAREFULLY UNPACK EACH PIECE IN TOP LAYER OF PACKING PRIOR TO REMOVING. RETAIN ALL PACKING MATERIAL UNTIL INSPECTION AND INSTALLATION ARE FINAL.**

1. Carefully remove all parts from the box.
2. Remove the mounting plate (C) from fixture body (G) by loosening the side screws (F).
3. Put the mounting plate (C) on the wall and mark the holes position with pencil.
4. Drill 2 holes on the wall and knock the anchors (B) into the holes.
5. Affix mounting plate (C) onto the junction box and secure with mounting screws (D), then secure the wood screws (E) to the anchors (B) and lock tight.
6. Connect the fixture Ground (bare) wire with the ground wire from the junction box using wire nut (A). If your house does not have ground wire, then attach this wire to the green grounding screw inside of the outlet box.  
IT IS IMPERATIVE THAT THIS FIXTURE BE GROUNDED.
7. Connect the fixture Neutral wire (WHITE) with the neutral wire (usually white) from the junction box using wire nut (A).
8. Connect the fixture Hot (BLACK) wire with the hot wire (usually black) from the junction box using wire nut (A).  
DO NOT REVERSE THE HOT AND NEUTRAL CONNECTIONS OR SAFETY WILL BE COMPROMISED.
9. Attach fixture body (G) to the mounting plate (C) and secure with side screws (F).
10. Place two pieces of glass panels (J) on the side of the frame and secure it by bending the metal tabs.
11. Place one piece of glass panels (J) on the back of the frame and secure it by bending the metal tabs.
12. Place glass panels (H) on the top of the frame and secure it by bending the metal tabs.
13. Place glass panel (I) on the door of the frame and secure it by bending the metal tabs.

# ASSEMBLY INSTRUCTIONS

## Stratford Small Bracketed Wall Lantern

Item # CHO 2370

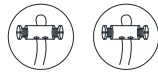
WE RECOMMEND INSTALLATION OF THIS LIGHTING FIXTURE BE DONE BY A LICENSED ELECTRICIAN.

**WARNING\*\*\*SWITCH OFF THE MAIN ELECTRICAL SUPPLY FROM THE MAIN FUSE BOX/CIRCUIT BREAKER BEFORE INSTALLATION.**

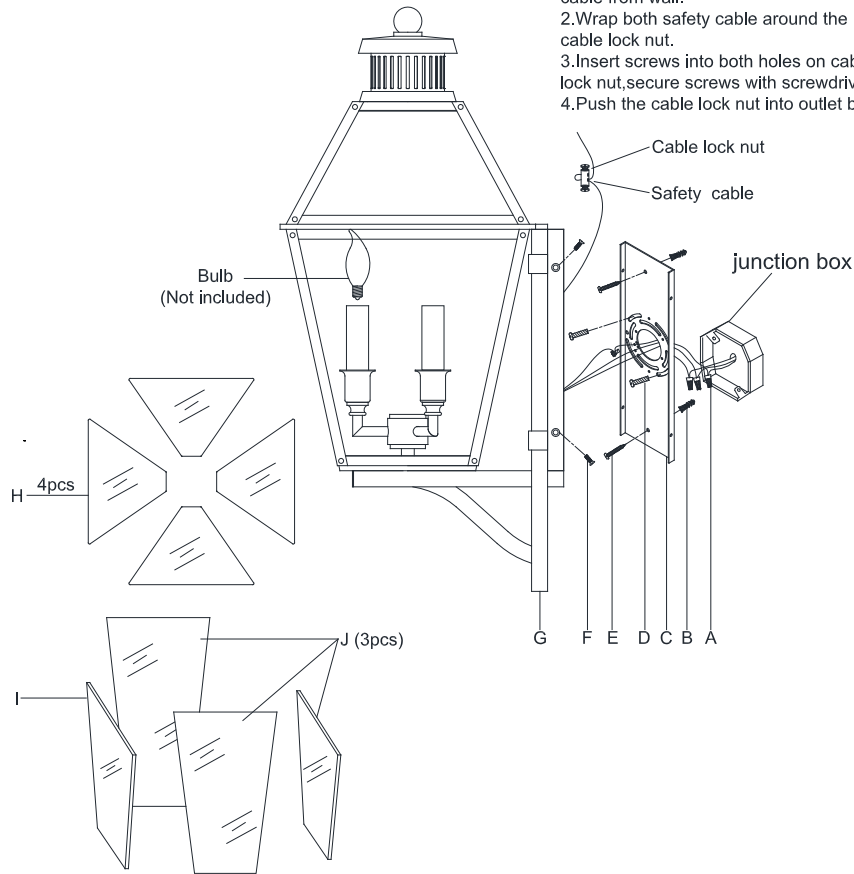
**INSPECT ITEM CAREFULLY BEFORE ATTEMPTING TO INSTALL. IF THERE IS ANY DAMAGE OR OBVIOUS DEFECT. DO NOT INSTALL.**

**ITEM MAY NOT BE RETURNED ONCE IT HAS BEEN INSTALLED.**

**NOTE: CAREFULLY UNPACK EACH PIECE IN TOP LAYER OF PACKING PRIOR TO REMOVING. RETAIN ALL PACKING MATERIAL UNTIL INSPECTION AND INSTALLATION ARE FINAL.**



- TO assemble safety cables:
1. Join fixture safety cables with safety cable from wall.
  2. Wrap both safety cable around the cable lock nut.
  3. Insert screws into both holes on cable lock nut, secure screws with screwdriver.
  4. Push the cable lock nut into outlet box.



14. Insert bulbs (not included) into the sockets.
15. Installation is complete, turn on power at fuse or circuit breaker.

\*\*\*Clean with a dry, soft cloth only. Use no harsh abrasives or chemical agents.

WITH SILLICONE CAULKING COMPOUND, CAULK COMPLETELY AROUND WHERE BACK OF CANOPY MEETS THE WALL SURFACE TO PREVENT WATER FROM SEEPING INTO J-BOX.