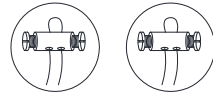


ASSEMBLY INSTRUCTIONS



1. Wrap the safety cable into the slot hole on the mounting plate **(B)**.
2. Wrap the safety cable around the cable lock nut.
3. Insert screws into both holes on cable lock nut, secure screws with screwdriver.

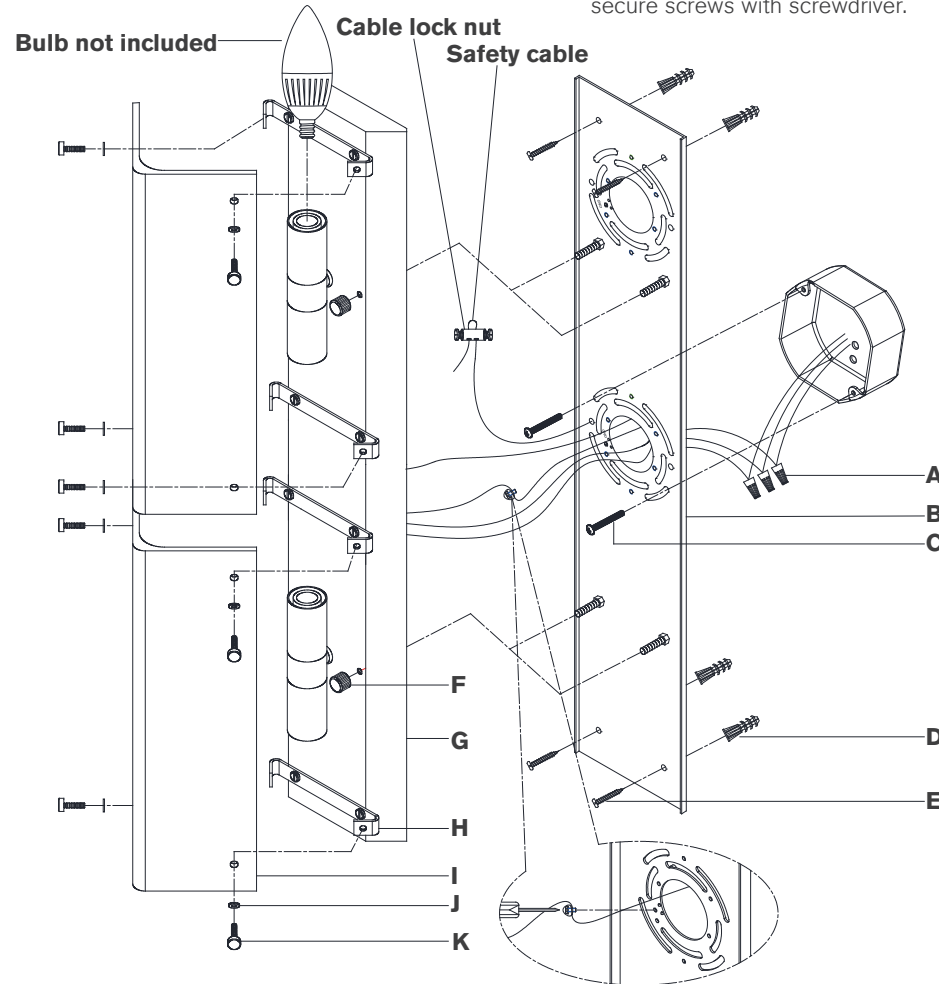


Diagram 1

Clayton 25" Sconce

Item # ARN 2044

NOTICE:

This light fixture should be installed in accordance with all applicable, local installation codes, and by a person familiar with the construction and operation of it, as well as the hazards involved. Inspect item and contents carefully. If any damage or defect is found, do not install. Retain all packaging material until installation is complete and approved.

TOOLS REQUIRED (NOT INCLUDED):

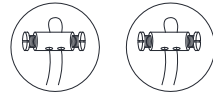
| | | |
|----------------------|---------------------|-------|
| Phillips Screwdriver | Slotted Screwdriver | Drill |
| Pencil | Hammer | |

1. Carefully remove all parts from the box. Place on a clean, soft surface.
2. Remove mounting plate **(B)** from fixture by removing knurled nuts **(F)**.
3. Using the mounting plate **(B)** as a guide, line up with the junction box and mark anchor positions.
4. Using a drill bit slightly smaller than the anchor, drill holes in the marked positions. Install anchors **(D)** into the holes using hammer.
5. Install mounting plate **(B)** to the junction box and secure with mounting screws **(C)**, then secure wood screws **(E)** to anchors **(D)**.
6. Connect the safety cable as shown in diagram.
7. Wrap fixture ground wire (bare copper) around the green grounding screw (see diagram 1). Tighten. Continue fixture ground wire and connect to supply ground wire (usually green or bare copper) using wire nut **(A)**.
8. Connect fixture neutral wire (white) to the supply neutral wire (usually white) using wire nut **(A)**.
9. Connect fixture hot wire (black) to the supply hot wire (usually black) using wire nut **(A)**.

NOTE: It is imperative that the fixture is grounded.

CAUTION: Do not reverse the hot and neutral connections.

ASSEMBLY INSTRUCTIONS



1. Wrap the safety cable into the slot hole on the mounting plate **(B)**.
2. Wrap the safety cable around the cable lock nut.
3. Insert screws into both holes on cable lock nut, secure screws with screwdriver.

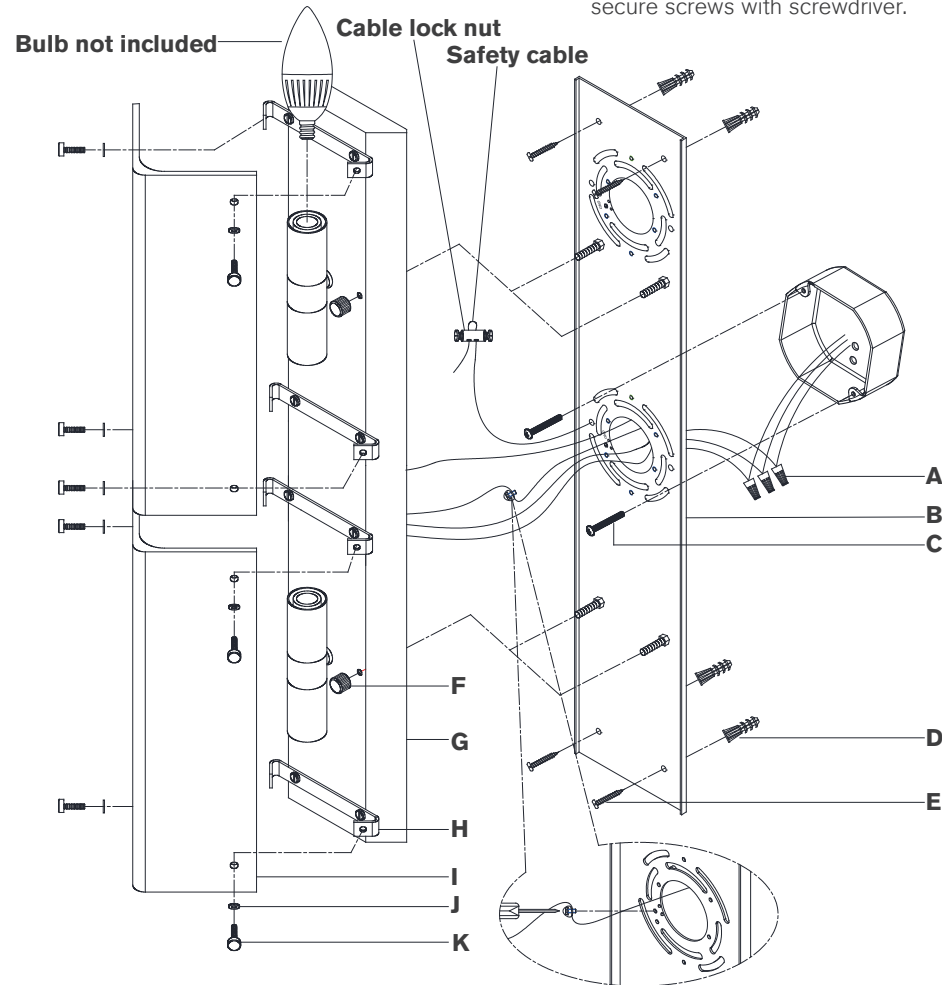


Diagram 1

Clayton 25" Sconce

Item # ARN 2044

NOTICE:

This light fixture should be installed in accordance with all applicable, local installation codes, and by a person familiar with the construction and operation of it, as well as the hazards involved. Inspect item and contents carefully. If any damage or defect is found, do not install. Retain all packaging material until installation is complete and approved.

10. Make sure all wire connections are tight, then carefully tuck into the junction box.
11. Install fixture to mounting plate **(B)** by securing with knurled nuts **(F)**.
12. Install light bulbs into the sockets.
14. Remove thumb screws **(K)** and washers **(J)** from shade brackets **(H)**.
14. Install shades **(I)** to fixture body **(G)**, then secure with washers **(J)** and thumb screws **(K)**.

Care Instructions: Clean only with a soft dry cloth or feather duster. Do not use abrasive or chemical agents.