

**BUILD IT  
YOUR WAY**  
EXPLORE OUR  
FABRIC OPTIONS



## GIBSON

Dramatic and oversized kismet chair is both stately & playful. Molded from clear acrylic and perfectly proportioned with an upholstered seat.

**MATERIAL**

Acrylic

**DIMENSIONS**

24"W x 23"D x 34"H

Seat Depth: 18.5"

Seat Height: 19"

Seat Height (without upholstery): 16"

*Cushion height may vary from 1/2 to 1 inch*

**UPHOLSTERY INFORMATION**

Types of Fabric: Can be upholstered with our fabric/ leather options or COM/COL.

**COM YARDAGE REQUIREMENT**

Solid: Requires 1 Yard

Pattern: Yardage amount may vary depending on pattern orientation and pattern repeat. Please call for quote.

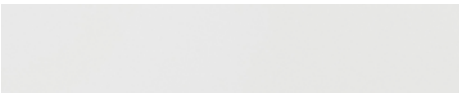
**WEIGHT**

30 lbs

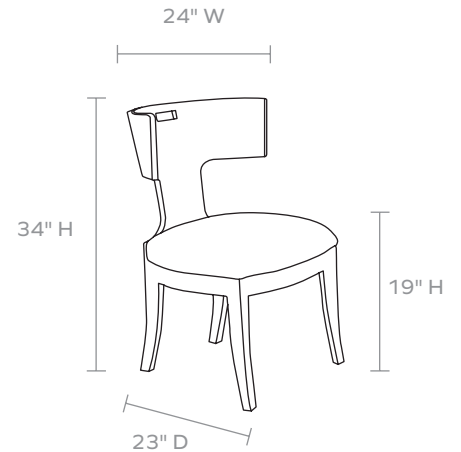
*In-stock upholstered pieces have a 6 week lead time.*



**FINISH**



Clear



FABRIC WIDTH	FABRIC REPEAT						
	Plain < 1"	1" - 6"	7" - 14"	15" - 20"	21" - 27"	28" - 36"	Full Width Centered
54"	0%	15%	30%	35%	40%	45%	100%