



N E L L C O T E

S T U D I O
www.NellcoteStudio.com

CARTOGRAPHER LAMP

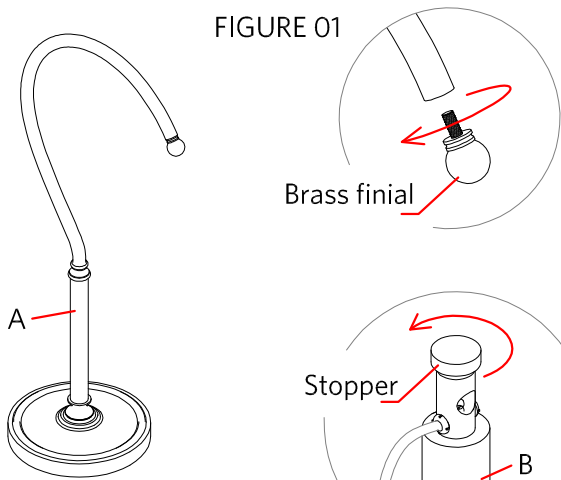


FIGURE 01

Brass finial

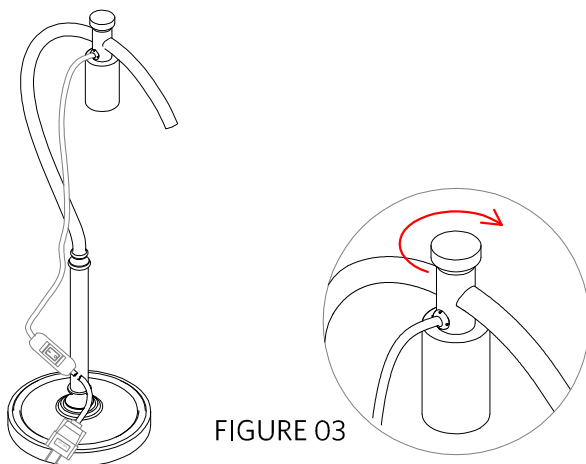


FIGURE 02

Stopper

B

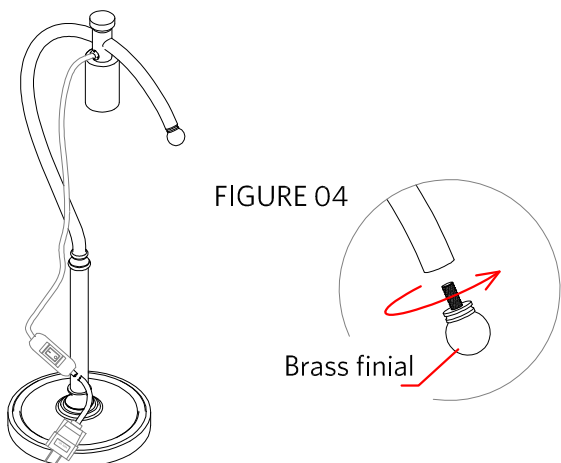


FIGURE 03

Brass finial

FIGURE 04

IMPORTANT SAFETY INSTRUCTIONS:

- This fixture has been rated 14 Watt Compact Fluorescent standard bulb (not included). To avoid the risk of fire, do not exceed the recommended wattage.
- If the plug does not fit securely into outlet, do not force it contact a professional electrician.
- Use the plug with an extension cord only if it can be fully inserted into the cord's socket. Never alter the plug in any way.
- The manufacturer and distributor accepts no liability for incorrect installation.
- Maximum Supply Current 1 A

WARNINGS

- All wires are connected; do not remove the lamp from its packaging by pulling on the power cord, as a bad connection may result.
- Do not connect electricity until the lamp is fully assembled.
- To reduce the risk of fire, electrical shock, or personal injury, always turn off and unplug lamp and allow it to cool prior to replacing light bulb.
- Do not touch bulb when fixture is turned on or look directly at lit bulb.
- Keep flammable materials away from lit bulb.
- Suitable for indoor use only.
- If the external flexible cable or cord of this luminaire is damage, it shall be exclusively replace by the manufacturer or his service agent or a similar qualified person in order to avoid a hazard.

INSTRUCTIONS

1. Remove the brass finial out of the lamp base (A) by turning it counter-clockwise manually. See FIGURE 01.
2. Loose the stopper on top of the hanging deco (B) by turning it counter-clockwise manually. See FIGURE 02.
3. Insert the hanging deco (B) to the lamp base (A) and lock it by re-tighten the stopper. See FIGURE 03.
4. Return the brass finial to the lamp as illustrated on FIGURE 04.

CARE INSTRUCTIONS:

Avoid the use of all polishers, cleaners, and abrasives, as they will damage the finish of your lamp. To remove dust or fingerprints, wipe gently with a soft, clean cloth.

THANK YOU FOR YOUR PURCHASE
www.nellcotestudio.com