



N E L L C O T E

S T U D I O
www.NellcoteStudio.com

CAMBURE GLOBE



IMPORTANT SAFETY INSTRUCTIONS:

- Consult certified electrician before installation that familiar with commercial type of applications.
- To reduce risk of fire, use 14 Watt Compact Fluorescent lamp and do not exceed the recommended wattage.
- The manufacturer and distributor accepts no liability for incorrect installation.
- The ceiling must have at least the capacity of 5 times the weight of the ceiling light. For this light at least a ceiling capacity of 30 kg is required.
- Maximum Supply Current 1 A

WARNING

- Turn-off electricity supply at main circuit panel before installing. All wires are connected. Do not remove the ceiling light from its packaging by pulling on the power cord, as a bad connection may result.
- To reduce the risk of fire, electrical shock, or personal injury, always turn off the ceiling light and allow it to cool prior to replacing light bulb. Do not touch bulb when fixture is turned on or look directly at light bulb. Keep flammable materials away from light bulb.
- Deviation from instructions may result in a risk of fire or electric shock.
- Suitable for indoor use only
- The external flexible cable or cord of this luminaire cannot be replaced; if the cord is damaged, the luminaire shall be destroyed.
- Terminal block not included. Installation may require advice from a qualified person.

NOTES

NEUTRAL FIXTURE WIRE = WHITE/ BLUE
HOT FIXTURE WIRE = BLACK/ BROWN
GROUND WIRE = YELLOW/ GREEN

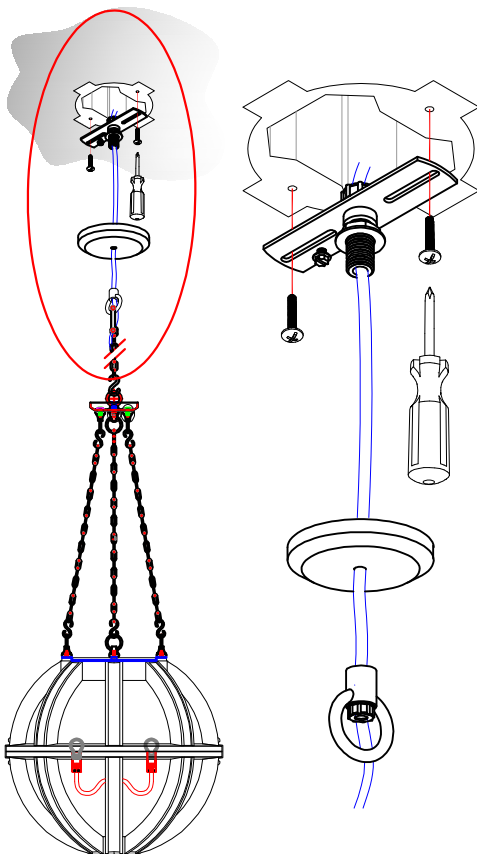
SCREW TERMINAL BLOCK - Connect the cable of the luminaire with the screw terminal block approved in according with IEC/EN 60998-2-1 with minimal rated voltage 250-3 x 2,5 mm² at supply cable.

INSTRUCTIONS

1. Carefully remove all parts from the box and remove the packaging materials that attached directly to the fixtures.
2. Before starting installation; turn off the power supply to the circuit where the chandelier is situated. Use a circuit tester to verify the power is off.
3. Starting the assembly; unscrew the fixture loops also loosen the Canopy on the on pipe nipple of the chandelier.
4. Using a ladder set the chandelier near the ceiling surface. After that, fasten the crossbar with the existing screw of the junction as illustrated on sketch.
5. Connect the ground wire from the fixture to the ground junction box wire and wrap the connection with electrical tape .Connect the hot wire to the hot junction box wire and wrap the connection with electrical tape. Connect the neutral wire to the neutral junction box wire and wrap the connection with electrical tape.
6. After doing the wiring fixtures, move the canopy against the ceiling surface and screw the fixture loops back to the pipe nipples.

REMINDER

If you are installing the chandelier in a dining room or kitchen, make sure the chandelier hangs at least 30 inches above any table. The chandelier's diameter should be at least 12 inches narrower than the width of the table.



THANK YOU FOR YOUR PURCHASE
www.nellcotestudio.com