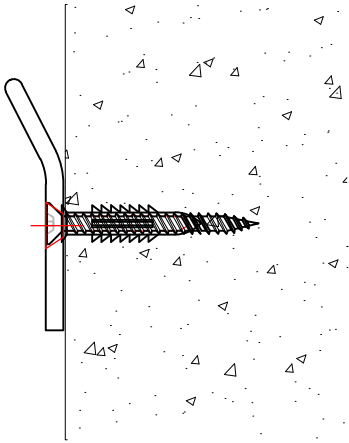




CONCRETE



IMPORTANT SAFETY INSTRUCTIONS:

- Consult certified electrician before installation that familiar with commercial type of applications.
- To reduce risk of fire, use 40 watt type A or smaller lamp and do not exceed the recommended wattage.
- The manufacturer and distributor accepts no liability for incorrect installation
- The ceiling must have at least the capacity of 5 times the weight of the ceiling light. For this light at least a ceiling capacity of 30 kg is required.

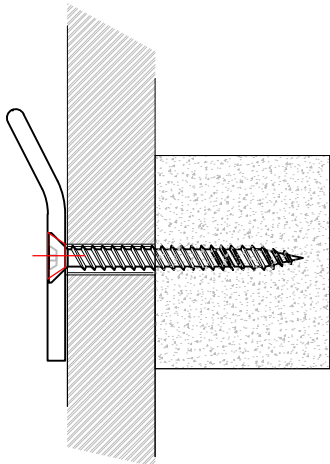
WARNING

- Turn-off electricity supply at main circuit panel before installing. All wires are connected. Do not remove the ceiling light from its packaging by pulling on the power cord, as a bad connection may result.
- To reduce the risk of fire, electrical shock, or personal injury, always turn off the ceiling light and allow it to cool prior to replacing light bulb. Do not touch bulb when fixture is turned on or look directly at light bulb. Keep flammable materials away from light bulb.
- Deviation from instructions may result in a risk of fire or electric shock.
- Suitable for indoor use only
- The external flexible cable or cord of this luminaire cannot be replaced; if the cord is damaged, the luminaire shall be destroyed."
- Terminal block not included. Installation may require advice from a qualified person.

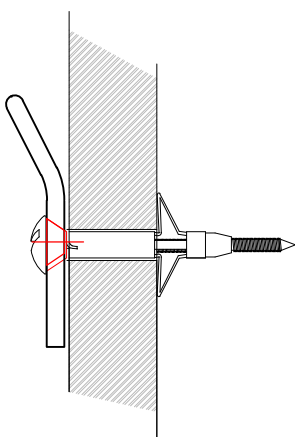
REMINDERS

- If the wall is concrete, drill a hole on each mark's and then insert a plastic wall anchors on each hole. Use a screwdriver to attach the bracket to the wall.
- If the sconce wall bracket will be installed on dry wall along with the studs use screw to fasten the wall bracket.
- If the sconce wall bracket will be installed only on the dry wall use hollow wall anchors to fasten the bracket.

DRY WALL W/ STUDS



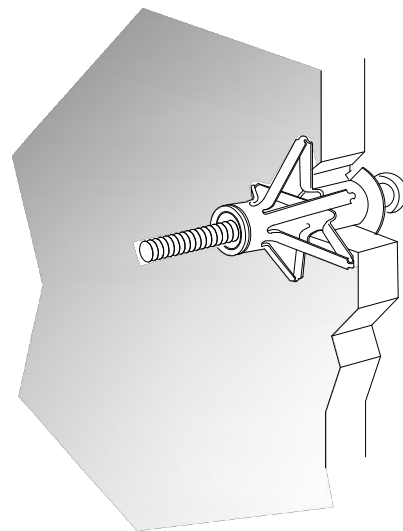
DRY WALL W/O STUDS



HARDWARE LIST

- | | | |
|----------------------------------|---|-------|
| 1. WALL BRACKET |  | 1 PC. |
| 2. PLASTIC ANCHOR |  | 3 PCS |
| 3. SCREW |  | 3 PCS |
| 5. Hollow Wall,Anchor with Screw |  | 2PCS |

FIGURE 01



INSTRUCTIONS

STEP #1: Pre-set the sconce on your desired location and mark the location with a light pencil mark. Use tape or pencil to transcribe the location of the wall into the sconce bracket.

STEP #2: Hold the bracket against the wall and mark with pencil the locations of the bracket screw holes, but before that, check the alignment of both ends if the bracket has the same distance on the floor or sealing surface.

STEP #3: Drill a hole in the wall and deep enough to allow the barrel of the anchor to fit snugly but not so large that the head of the sleeve has no support.

STEP #4: Clear debris from the hole and tap the anchor in place using a hammer. Make sure the bolt and barrel are tight against the wall surface and the teeth in the collar are engaged in the wall to hold it in place.

STEP #5: Use a screwdriver to tighten the screw while maintaining constant pressure until the sleeve expands and tightens against the opposite side of the wall. Please see **FIGURE 01**.

STEP #6: Remove screw and install through wall bracket hole then re-insert screw into the anchor body and tighten until snug against wall. Please see **FIGURE 02**.

STEP #7: Gently pull the wire from wall outlet box and allow the wire to hang.

STEP #8: At the back of the wall lamp attach the fixture ground wire (green wire) and house ground wire (usually green or bare wire) to wall outlet box with the green grounding screw. Connect fixtures to corresponding house wire with a wire nut. Carefully tuck the wires back into the outlet box. IT IS IMPERATIVE THAT THE OUTLET BOX IN YOUR HOME BE PROPERLY GROUNDED.

Connect the neutral wire (white wire) to the neutral outlet wire (usually white) with a plastic wire connector and wrap the connection with electrical tape.

Connect the hot wire (black wire) to the hot outlet box wire (usually black) with a plastic wire connector and wrap the connection with electrical tape. DO NOT REVERSE THE HOT AND NEUTRAL CONNECTIONS OTHERWISE SAFETY WILL BE COMPROMISED. Please see **FIGURE 03**.

STEP #9: Install the sconce on the wall bracket as illustrated on **FIGURE 04**.

CARE INSTRUCTIONS

- When cleaning the sconce use a damp cloth or mild detergent if necessary; do not use abrasive cleaners.
- Check the sconce periodically to see that no fitting has loosened and needs attention.
- Sconce are heavy objects and your safety is depend on the construction/ strength of the wall to which it is attached.

FIGURE 02

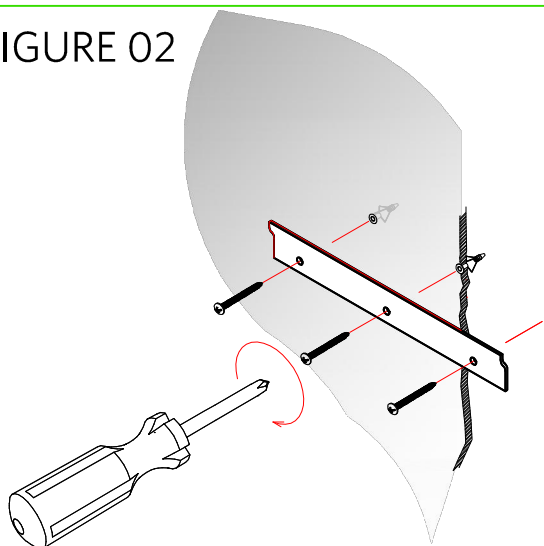


FIGURE 03

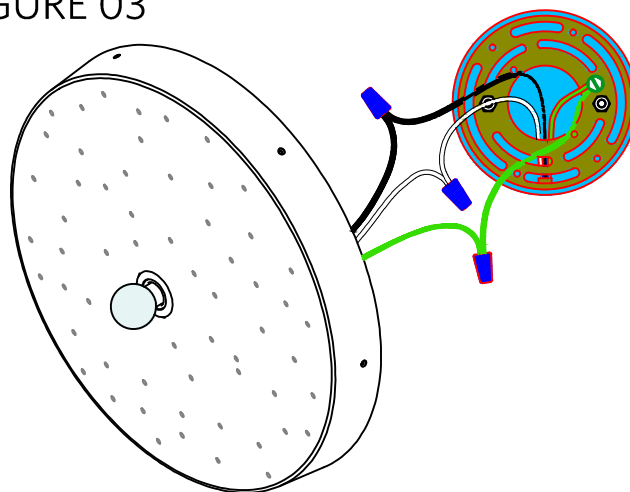


FIGURE 04

