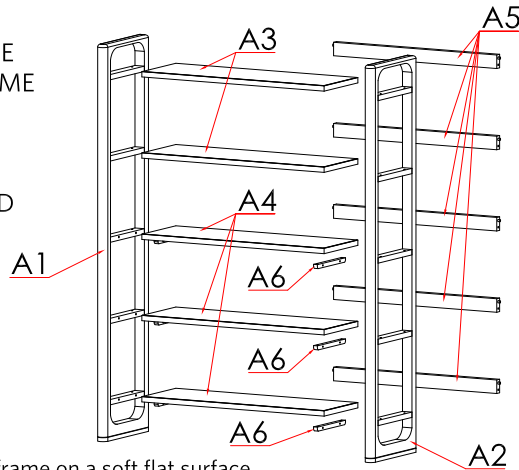


Thank you for choosing this quality product. Be sure to check all packaging materials carefully for small parts that may have become loose during shipment and place all parts on a non-abrasive surface.

IMPORTANT :These parts can be cumbersome and heavy to some people, therefore the assistance of two or more people is recommended in order to prevent personal injury and insure the furniture is not damaged during the assembly Process.

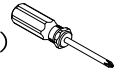
PART LIST

- A1 [1] LEFT SIDE FRAME
- A2 [1] RIGHT SIDE FRAME
- A3 [2] SHELF FRAME 1
- A4 [3] SHELF FRAME 2
- A5 [5] STRETCHER
- A6 [3] SUPPORT WOOD



TOOLS NEEDED

Phillips Screwdriver (Not provided)



HARDWARE INCLUDED

NO	DESCRIPTION	QTY
1	ALLEN HEAD BOLT	38
2	LOCK WASHER	38
3	FLAT WASHER	38
4	ALLEN WRENCH	1
5	MINI FIX BOLT	10
6	MINI FIX LOCK	10

INSTRUCTIONS

- Place the back of side frame on a soft flat surface.
- Attach the minifix bolts (5) into the fixed nuts on the side frame (A1/A2) as per illustrated in **FIGURE 01-A**.
- Remove the mini fix lock from the mini fix nut (6), as per illustrated in **FIGURE 01-B**. Insert the minifix nuts into the holes on bottom of stretcher (A5), then use a screwdriver to adjust the minifix nut to make sure the hole on it is aligned with the bore hole on the end of the stretcher, as per illustrated in **FIGURE 01-C**.
- Align the minifix bolt (5) on the side frame into the minifix nut (6) through the bore hole on the end of the stretcher (A5). Re-insert the minifix lock to secure the minifix bolt to the minifix nut, and the stretcher will be fixed to the side frame. See **FIGURE 01-D**.

FIGURE 01-A

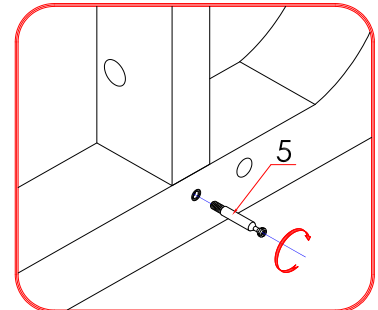


FIGURE 01-B

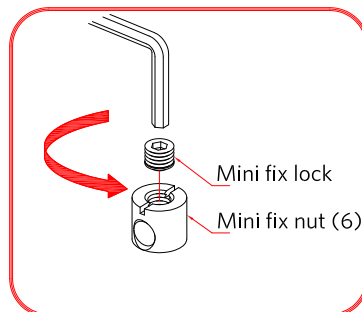


FIGURE 01-C

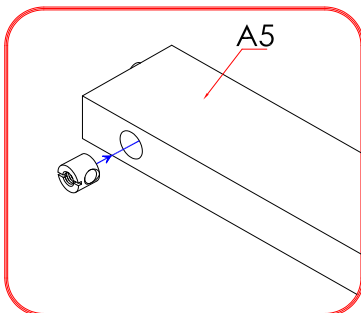
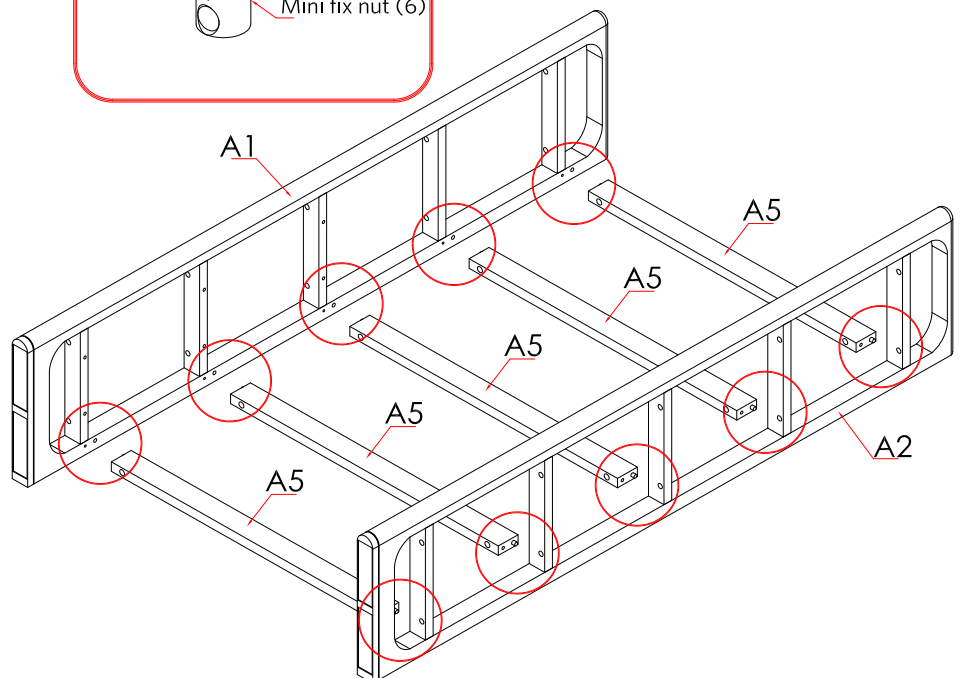
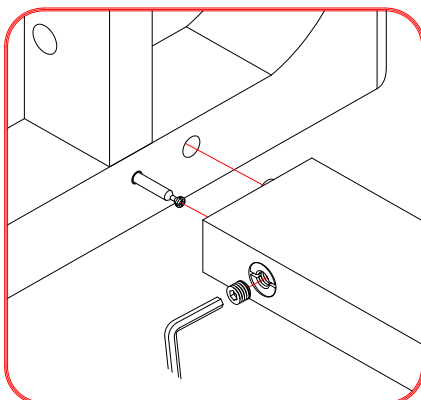


FIGURE 01-D



5. Attach the Shelf frame 1 (A3) into the side frame, align and insert Allen bolt (1) together with lock washer (2) and flat washer (3) to each fixed nuts under top through the hole on the side frame. Tighten all the bolts by using wrench (4). **DO NOT FULLY TIGHTEN.** See **FIGURE 02.**
6. Repeat for the another Shelf frame 1.
7. Before assembly the Shelf frame 2 (A4), please checking and watching carefully the note **A.** Then attach the Support wood (A6) into the innermost insert nut as in **FIGURE 03.**
8. Attach the Shelf frame 2 (A4) into the side frame, align and insert Allen bolt (1) together with lock washer (2) and flat washer (3) to each fixed nuts under top through the hole on the side frame. Tighten all the bolts by using wrench (4). **DO NOT FULLY TIGHTEN.** See **FIGURE 04-A & 04-B.**
9. Repeat for the other Shelf frame 2. After assembly, re-tighten all bolts for a snug fit. **DO NOT OVER TIGHTEN.**
10. Turn the etagere upright on a flat surface.

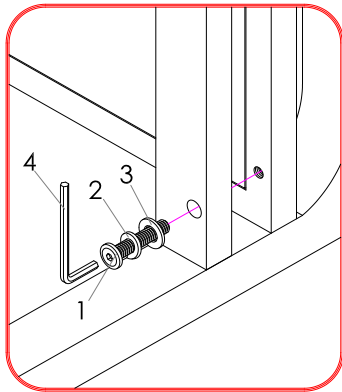


FIGURE 02

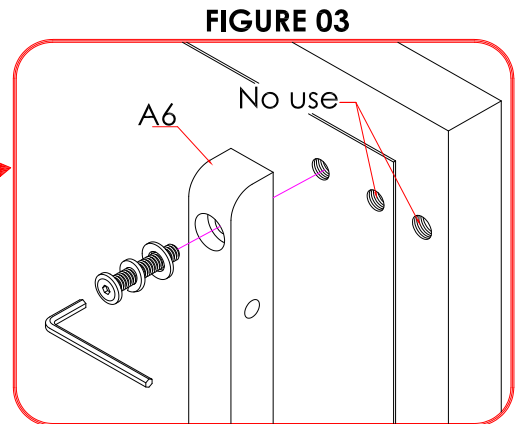
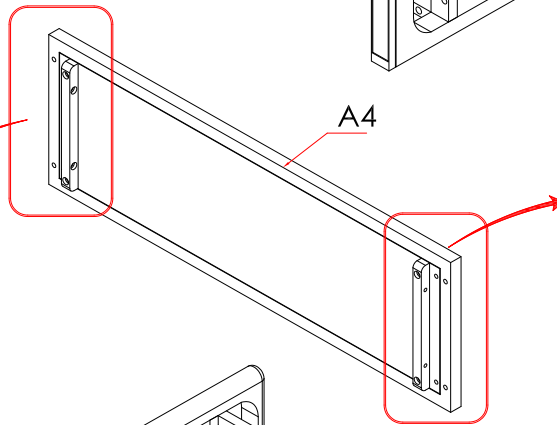
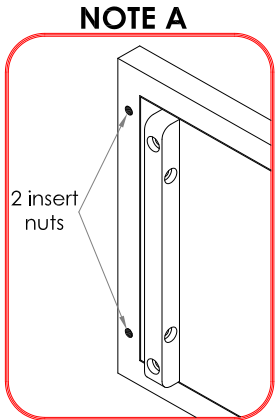
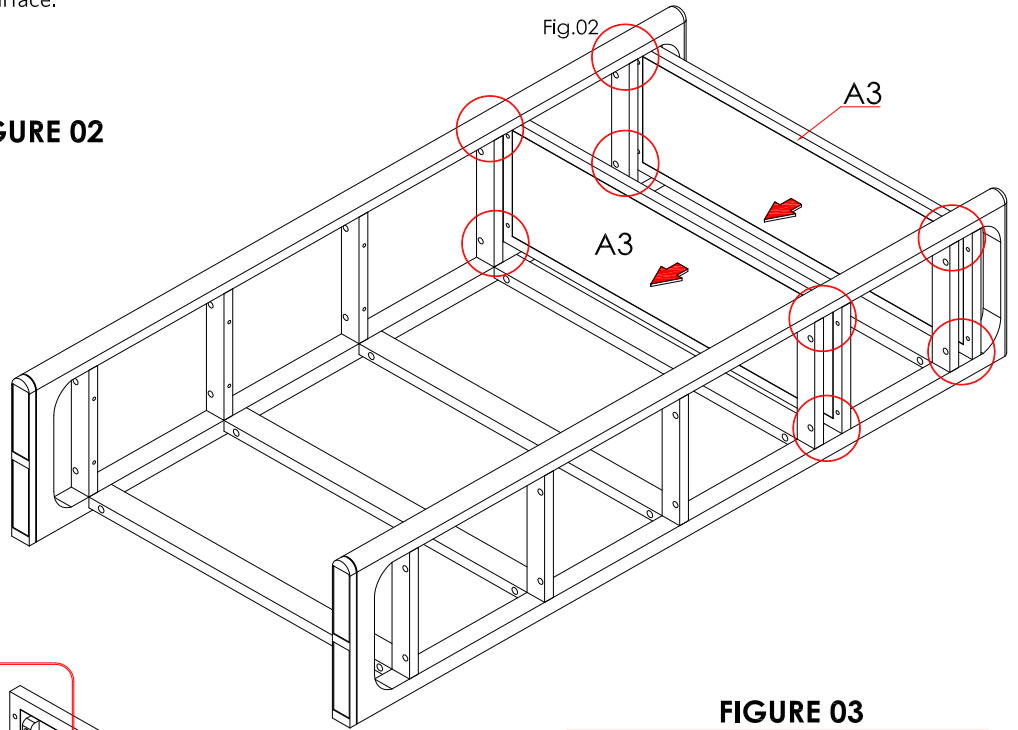


FIGURE 03

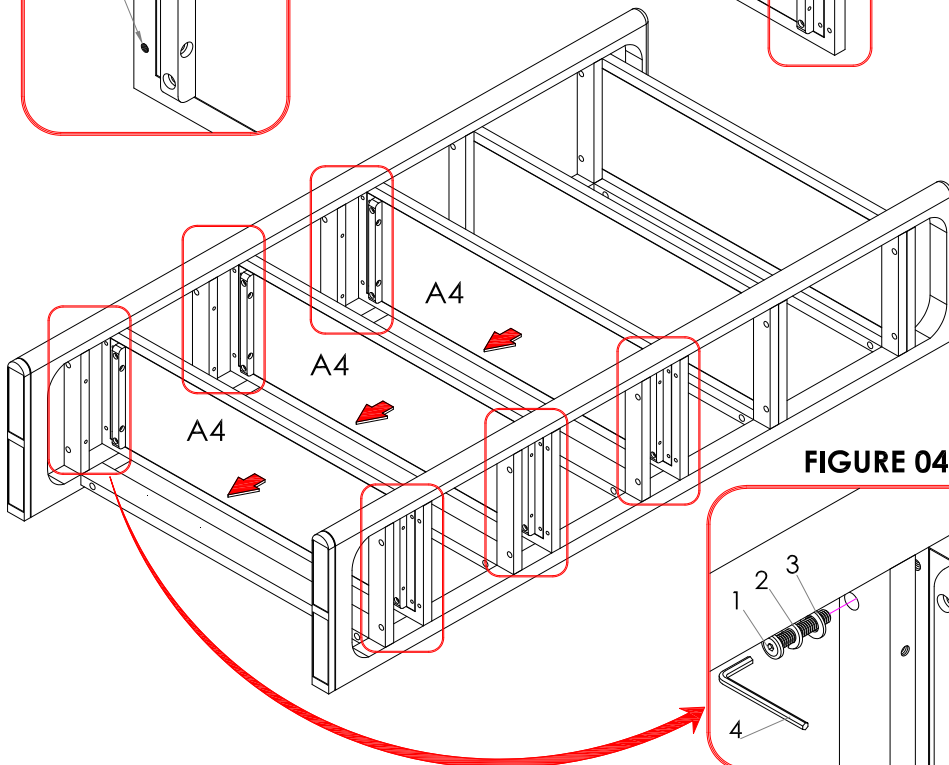


FIGURE 04-A

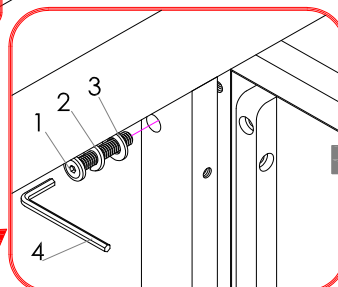
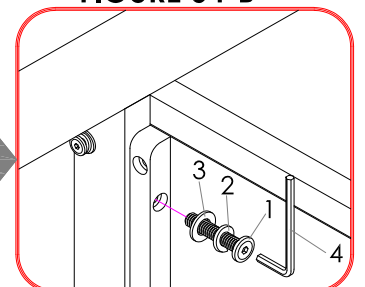


FIGURE 04-B



ASSEMBLY INSTRUCTIONS BY WALL TYPE :

- DRYWALL WITH STUDS: Use screws to affix to studs, and use hollow wall anchors and screws to affix to drywall. See FIGURE A.
- DRYWALL WITHOUT STUDS: Use toggle bolt and screws to affix to drywall. See FIGURE B.

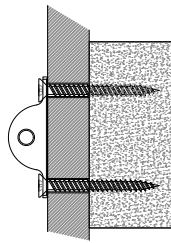


FIGURE A
DRYWALL W/STUDS

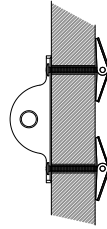


FIGURE B
DRYWALL W/O STUDS

HARDWARE INCLUDED

NO	DESCRIPTION	QTY
7	METAL BRACKET	2
8	CLEVIS PIN	2
9	STEEL AIRCRAFT CABLE	1
10	HAIR PIN	2
11	SHORT SCREW	2
12	LONG SCREW	2
13	TOGGLE BOLT	2

FURNITURE TIPPING RESTRAINT INSTRUCTIONS

Young children may be injured by tipping furniture. The use of a tipping restraint is highly recommended.

When properly installed, this restraint could provide protection against the unexpected tipping of furniture due to small tremors, bumps or climbing. We recommend mounting this restraint to a wall stud.

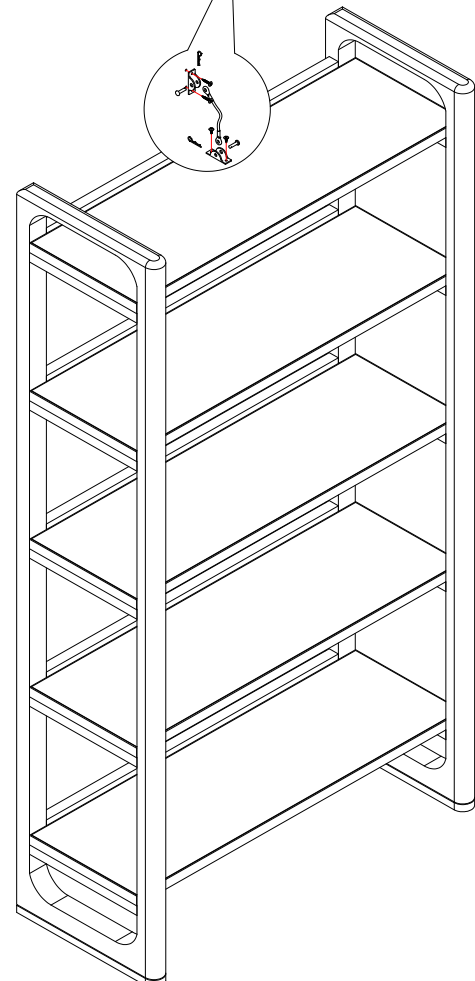
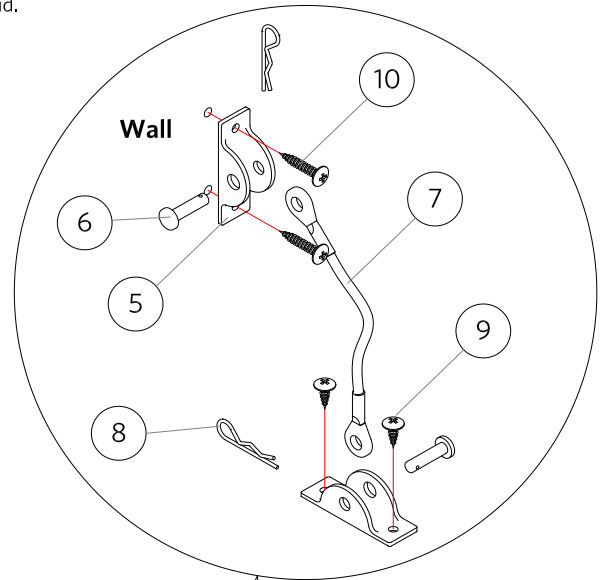
WARNING: This product is only a deterrent. It is not a substitute for proper adult supervision.

ANTI-TIP-KIT INSTALLATION INSTRUCTION

⚠️ WARNING: Always mount metal brackets to solid wood of furniture. Do not attach to plywood of back panels.

WE RECOMMEND ATTACHING TO STUDS.

1. Attach mounting brackets (7) near the middle-top back edge of the furniture piece by inserting the shorter screws (11).
2. Determine the final position of the furniture piece. Mark locations on the wall approximately 2" below the brackets mounted to the back of the furniture.
3. Attach the second brackets to stud wall by inserting the longer screw (12) (See Figure A) or toggle bolt (13) with drywall (See Figure B).
4. Place the furniture so that the brackets on the back edge are in line with the brackets in the wall.
5. Insert the clevis pin (8) through holes on brackets and hole on steel aircraft cable (9). Use hair pin (10) to go through small hole on clevis pin (8) to lock it.
6. Repeat above step to attach the end of aircraft cable (9) to the bracket on the wall.
7. Check to make sure the steel aircraft cable is securely laced and locked to the brackets.



CARE INSTRUCTIONS

1. Dust often using a clean, soft, dry and lint-free cloth.
2. Blot spills immediately and wipe with a clean, damp cloth.
3. We do not recommend the use of chemical cleansers, abrasives or furniture polish on our lacquered finish.

IMPORTANT SAFETY INSTRUCTIONS

1. Please read all instructions carefully before assembling.
2. Keep instructions for future use.
3. Use only vendor supplied hardware to assemble. Using unauthorized hardware could jeopardize the structural integrity of the item.