

SONDER

LIVING

JAXSON SIDE TABLE

Thank you for choosing this quality product. Be sure to check all packaging materials carefully for small parts that may have become loose during shipment and place all parts on a non-abrasive surface.

IMPORTANT :These parts can be cumbersome and heavy to some people, therefore the assistance of two or more people is recommended in order to prevent personal injury and ensure the furniture is not damaged during the assembly Process.

PART LIST

A [1] TOP GLASS

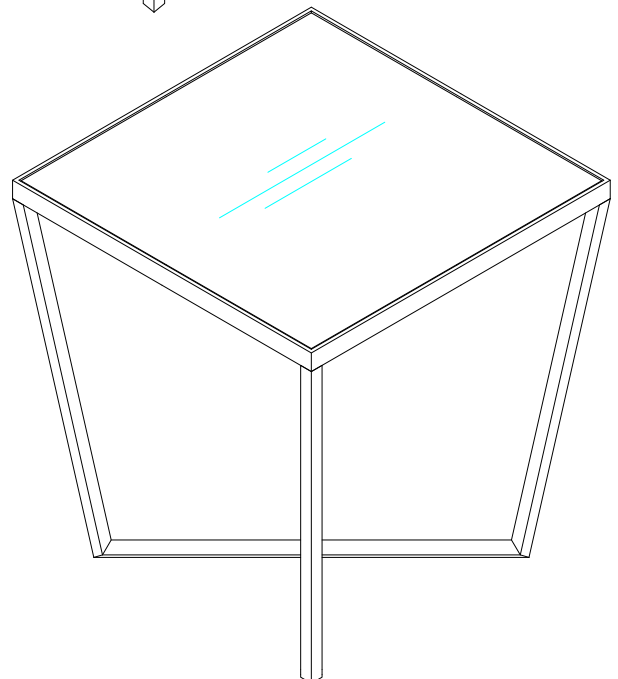
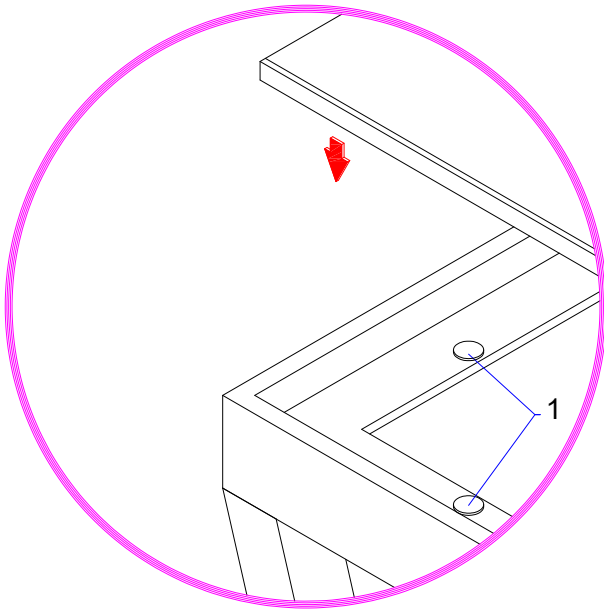
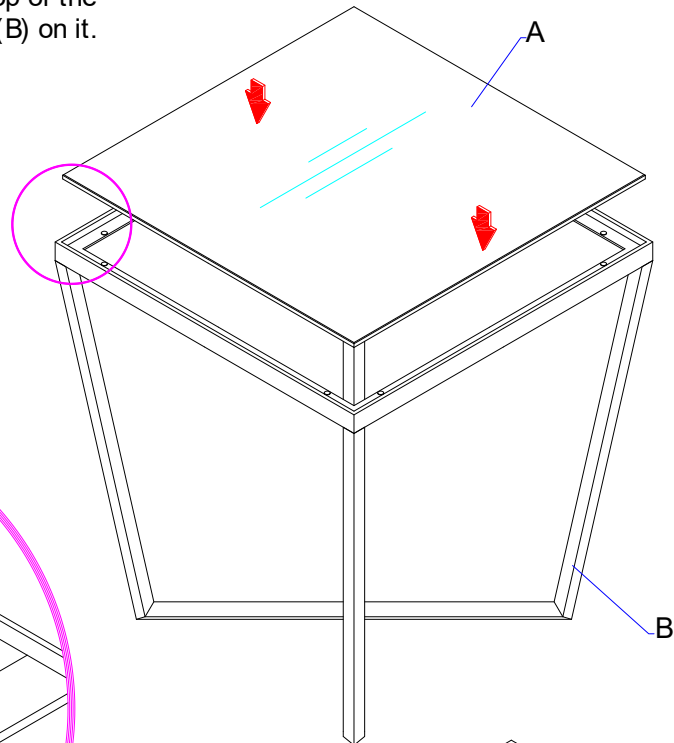
B [1] TABLEBASE

HARDWARELIST

NO	DESCRIPTION	QTY
1	 BUMPON PLASTIC	8

INSTRUCTIONS

1. Bring all parts on your desired position.
2. Secure place the Bump on plastic (1) on the top of the Table base (C) and then place the Top glass (B) on it.
See **SKETCH**.
3. Assembly is complete.



CARE INSTRUCTIONS

1. Dust often using a clean, soft, dry and lint-free cloth.
2. Blot spills immediately and wipe with a clean, damp, cloth.
3. We do not recommend the use of chemical cleansers, abrasives or furniture polish on our lacquered finish.