

**BUILD IT
YOUR WAY**
EXPLORE OUR
FABRIC OPTIONS



EVERETT

The antique empire look of this chair is given a bold update with our olive ash veneer. The dramatic pattern of the natural material breaks up the solidity of the Everett's silhouette, a contemporary take on a '30s-inspired piece. Comes with an upholstered cushion that you can customize in any of our fabrics, or your own COM/COL.

MATERIAL

Veneer*

DIMENSIONS

22"W x 24"D x 38"H

Arm Height: 26"

Seat Depth: 20"

Seat Height: 20"

Cushion height may vary from 1/2 to 1 inch

WEIGHT

27 lbs

UPHOLSTERY INFORMATION

Types of Fabric: Can be upholstered with our fabric/ leather options** or COM/COL.

COM YARDAGE REQUIREMENT

Solid: Requires 1.5 Yards

Pattern: Yardage amount may vary depending on pattern orientation and pattern repeat. Please call for quote.

This item is handcrafted and may show slight variation in size from one piece to another.

In-stock upholstered pieces have a 4-6 week lead time

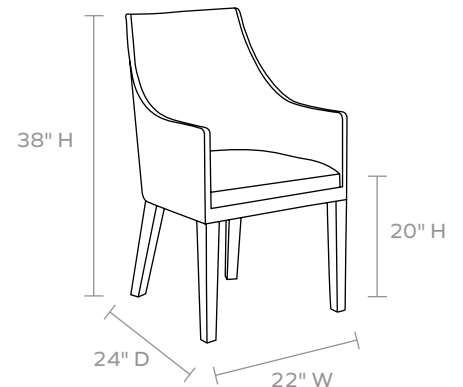
**Natural variations in this material may occur.*

***Not available with Aras or Liard fabric options.*

FINISHES



Olive Ash



| FABRIC WIDTH | FABRIC REPEAT | | | | | | |
|--------------|---------------|---------|----------|-----------|-----------|-----------|---------------------|
| | Plain < 1" | 1" - 6" | 7" - 14" | 15" - 20" | 21" - 27" | 28" - 36" | Full Width Centered |
| 54" | 0% | 15% | 30% | 35% | 40% | 45% | 100% |