

Coffs Chandelier

EC1235 1.0

GENERATION LIGHTING

Chandelier

GENERAL PRODUCT INFORMATION:

These fixtures are intended to be installed utilizing NEC compliant junction boxes.

This product is safety listed for damp locations.

Incandescent lamps may be dimmed with a standard incandescent dimmer. LED lamps may be dimmed with a LED dimmer. Consult lamp manufacturer for additional information.

This instruction shows a typical installation.

CAUTION - RISK OF FIRE

This product must be installed in accordance with the applicable installation code by a person familiar with the construction and operation of the product and the hazards involved.

Use minimum 90°C supply conductors.

GENERATION LIGHTING

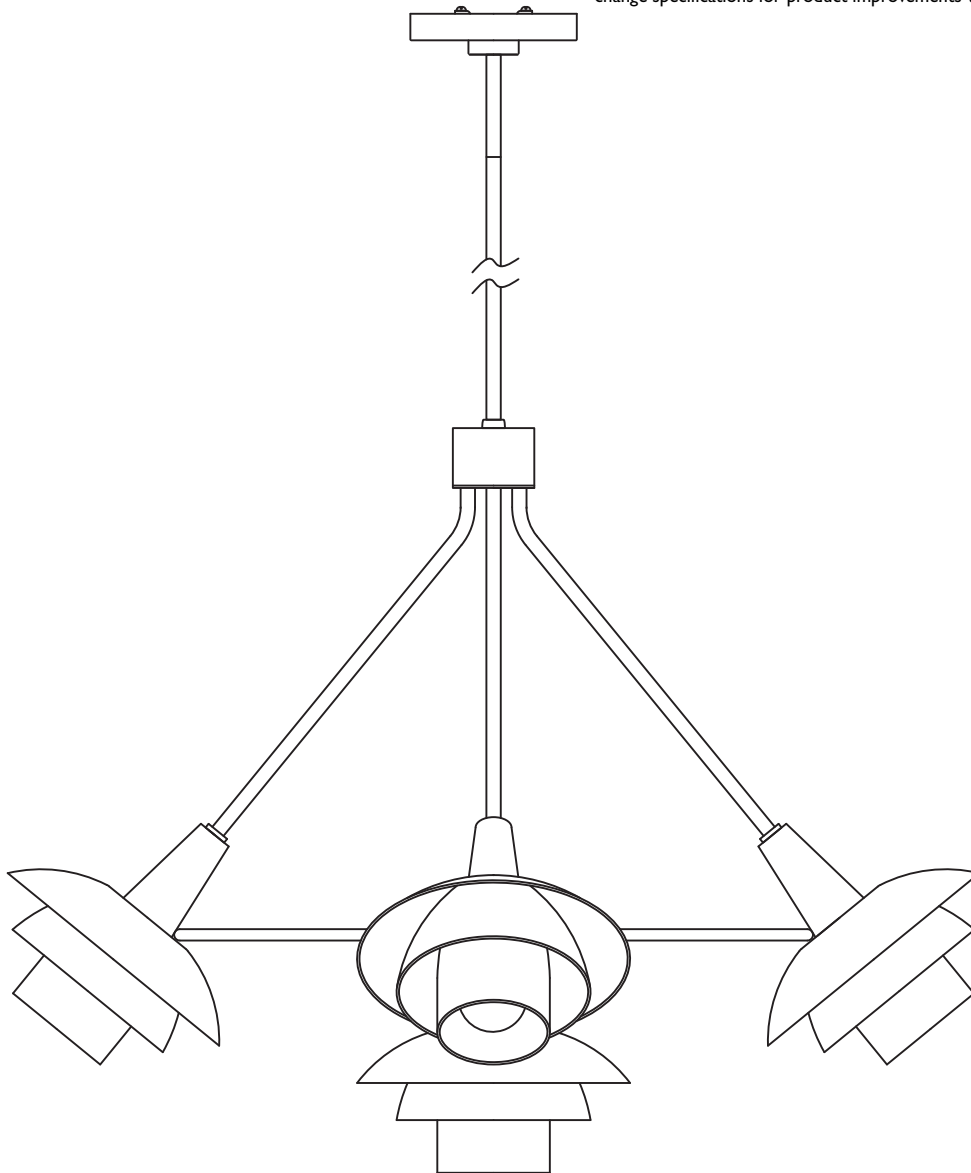
7400 Linder Ave, Skokie, IL 16077

800.969.3347

www.generationlighting.com

© 2019 Generation Lighting. All rights reserved.

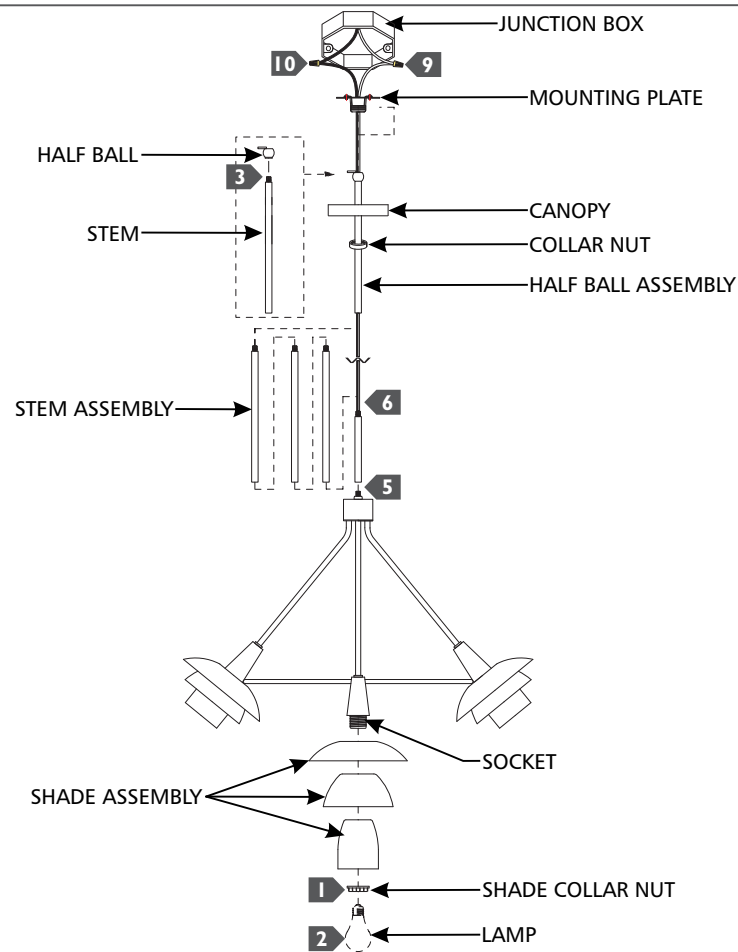
The "Generation Lighting" graphic is a registered trademark of Generation Lighting. Generation Lighting reserves the right to change specifications for product improvements without notification.



SAVE THESE INSTRUCTIONS!

Install the Fixture

IA



- 1** Place the shade assembly onto the the socket in the order shown, then secure in place by screwing the shade collar nut onto the socket. Repeat for remaining shades.
- 2** Screw the lamps into the sockets. Refer to the label on the socket for Max Wattage Information.
- 3** Screw the half ball to the stem which will be on top.
- 4** Determine the wanted height or look of the fixture with the provided stems, then assemble them by screwing them together.
- 5** Feed the fixture wires through the stem assembly, then screw the stem assembly to the fixture.
- 6** Feed the fixture wires through the collar nut, canopy, and the half ball assembly, then screw it onto the stem assembly.
- 7** Align and secure the mounting plate to the junction box, then slide the half ball assembly onto the mounting plate.
- 8** Connect the fixture to a suitable ground in accordance to local electrical codes.
- 9** Connect the white fixture wire (square and/or rigid) to the neutral power line wire with a wire nut.
- 10** Connect the black fixture wire (round and/or smooth) to the hot power line wire with a wire nut.
- 11** Neatly place all the wires into the junction box, place the canopy onto the mounting plate, and secure it in place by screwing the collar nut tightly onto the mounting plate.