

Crest Flush Mounts

700FMCRST

1.0



GENERAL PRODUCT INFORMATION:

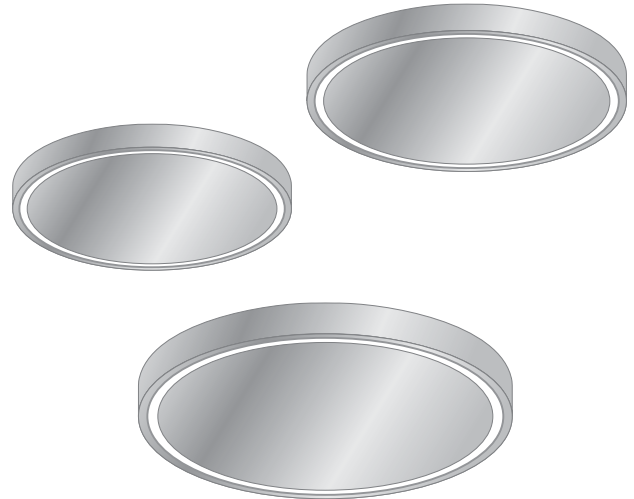
This fixture are intended to be installed utilizing NEC compliant junction boxes.



This product is suitable for damp locations.

This product can be dimmed with a low voltage electronic dimmer.

This product may be ceiling or wall mounted.

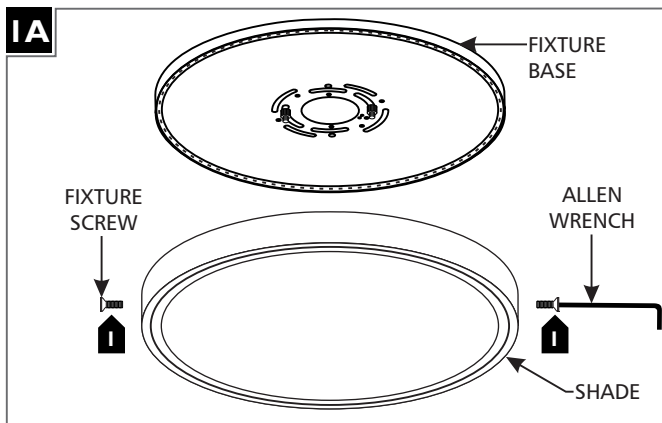


CAUTION - RISK OF FIRE

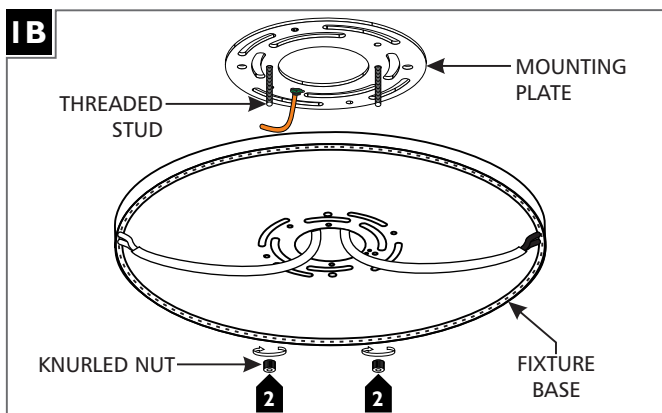
This product must be installed in accordance with the applicable installation code by a person familiar with the construction and operation of the product and the hazards involved.

Use minimum 90°C supply conductors.

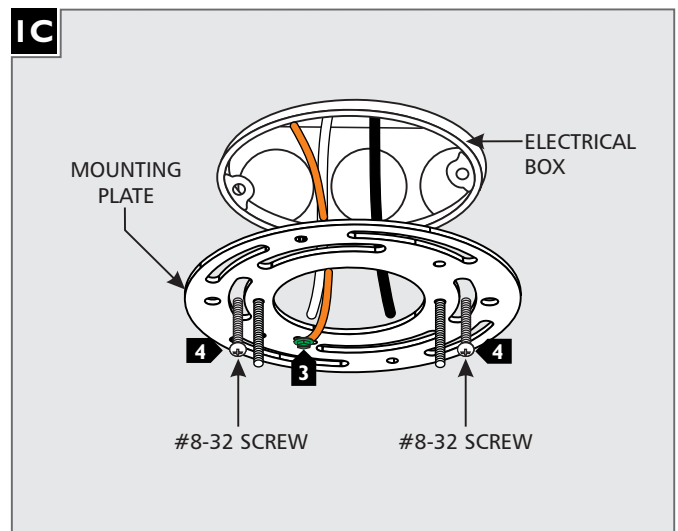
Install the Mounting Plate



1 Separate the fixture base from the shade by unscrewing and removing the three fixture screws using an Allen wrench.

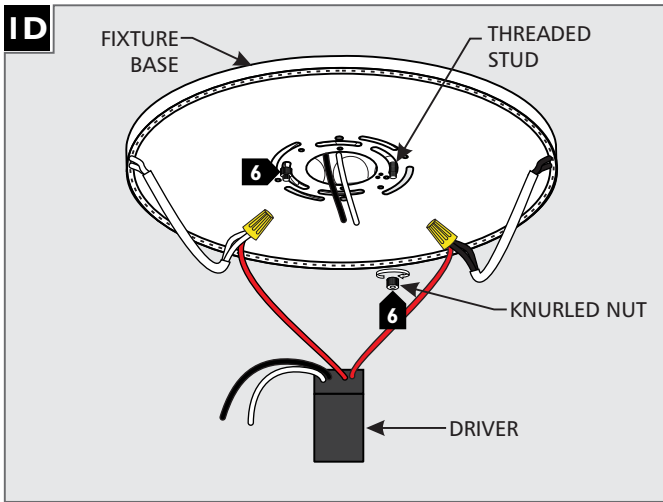


2 Remove the mounting plate from the fixture base by unscrewing the two knurled nuts from the two threaded studs.

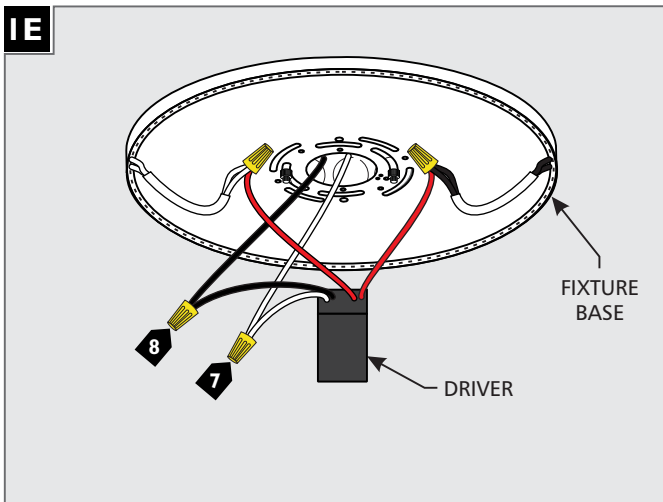


3 Connect the fixture to a suitable ground in accordance with local electrical codes.

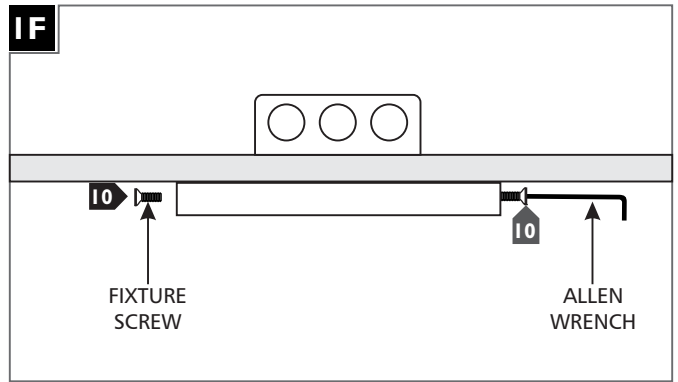
4 Mount the mounting plate to the electrical box with the two #8-32 screws.



- 5** Feed the driver and power line wires through the fixture base center hole.
- 6** Install the fixture base onto the mounting plate studs and secure it in place with the knurled nuts.



- 7** Connect the white driver wire to the neutral power line wire with a wire nut.
- 8** Connect the black driver wire to the hot power line wire with a wire nut.



- 9** Feed the driver, wires, and wire nut connections back through the fixture base center hole and into the electrical box.
- 10** While supporting the shade from the outer ring, align the holes on the shade with the holes on the fixture base. **Do not support from inner metal disc.** Secure the fixture in place by tightening the three fixture screws using an Allen wrench.

SAVE THESE INSTRUCTIONS!



TECH LIGHTING®

7400 Linder Ave, Skokie, IL 60077

847.410.4400

www.techlighting.com

© 2019 Tech Lighting, L.L.C. All rights reserved. The "Tech Lighting" graphic is a registered trademark of Tech Lighting, L.L.C. Tech Lighting reserves the right to change specifications for product improvements without notification.

A Generation Brands Company