

CODA PENDANT

PRODUCT FEATURES

- Glass with incredible visual depth balanced thanks to an organic crackle effect
- Large elongated shapes for dramatic contemporary impact
- Two complementary-scaled shades can be used as individual pendants or together as a custom chandelier
- Fully dimmable LED lamping options to create the desired ambiance
- High quality, long-lasting integrated LED lamping included to save you time and money
- Protected by a 5-year warranty, please visit www.techlighting.com for details



LAMPING

Includes 11 watt, 936 delivered lumen, 3000K LED module. Dimmable with most LED compatible ELV and TRIAC dimmers. Fixture provided with twelve feet of field-cuttable satin cable.

Smoke Crackle
Large



ORDERING INFORMATION

700	SYSTEM	CDAP	SHAPE OR SIZE	COLOR	FINISH	LAMP
	TD LINE-VOLTAGE PENDANTS/SUSPENSION		L LARGE S SMALL	CC CLEAR CRACKLE KC SMOKE CRACKLE	S SATIN NICKEL	-LED930 LED 90 CRI 3000K 120V

700 _____ CDAP _____

JOB NAME _____

NOTES _____

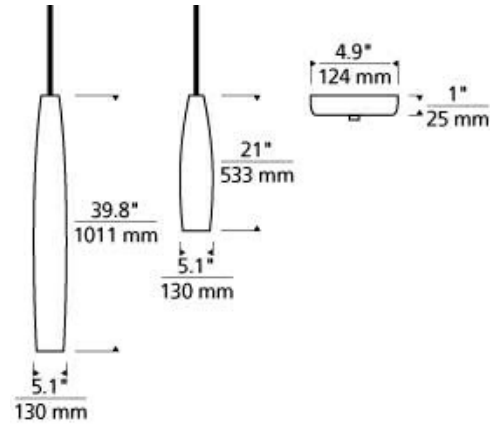


CODA PENDANT



SPECIFICATIONS

HARDWARE MATERIAL	Metal
SHADE MATERIAL	Glass
NET WEIGHT	6 lbs
HEIGHT	39.8in
WIDTH	5.1in
LENGTH	5.1in
UP LIGHT / DOWN LIGHT / BOTH?	
WET LISTED	
DAMP LISTED	Yes
DRY LISTED	
MIN. HANGING HEIGHT	46.8in
MAX HANGING HEIGHT	184.8in
TOTAL CORD LENGTH	144in
TOTAL STEM LENGTH	
STEM QTY	
SLOPED CEILING ADAPTABLE?	Yes
GENERAL LISTING	ETL Listed
INCLUDES	



LAMPING SPECIFICATIONS

	LED LAMP	INTEGRATED LED	NON LED	NO LAMP
DELIVERED LUMENS		936		
WATTS		11		
MAX WATTAGE PER BULB		11W		
INPUT VOLTAGE		120V		
DIMMING TYPE*		ELV, TRIAC		
CCT		3000K		
CRI		90 CRI		
LED LIFETIME				
L70				
AVERAGE BULB HOURS		50000		
FIELD SERVICEABLE LED				
LAMP BASE		Integrated LED		
LAMP SHAPE		Integrated LED		
LAMP INCLUDED?		Y		
WARRANTY**		5 Years		

*Dimming information available at www.techlighting.com/Downloads#dimming

** Visit techlighting.com for specific warranty limitations and details.

T20 / T24 INFORMATION

	Integrated LED	Replacement LED Lamp	No Lamp *
This product can be used to comply with California Building Energy Efficiency Standards 2016 Title 24 Part 6.			
This product can be used to comply with California Appliance Efficiency Standards 2016 Title 20 and may be shipped to and sold in California.			

* If a light fixture or component does not include a lamp or light source, it is the responsibility of the customer to select a lamp that meets the T24 and T20 requirements.

