

# TEAR SHEET



## Stratford XL Bracketed Gas Wall Lantern

Item # CHO 2457BLK-CG

Designer: Chapman & Myers

Height: 40.5"

Width: 18"

Extension: 20"

Backplate: 5" x 17.25" Rectangle

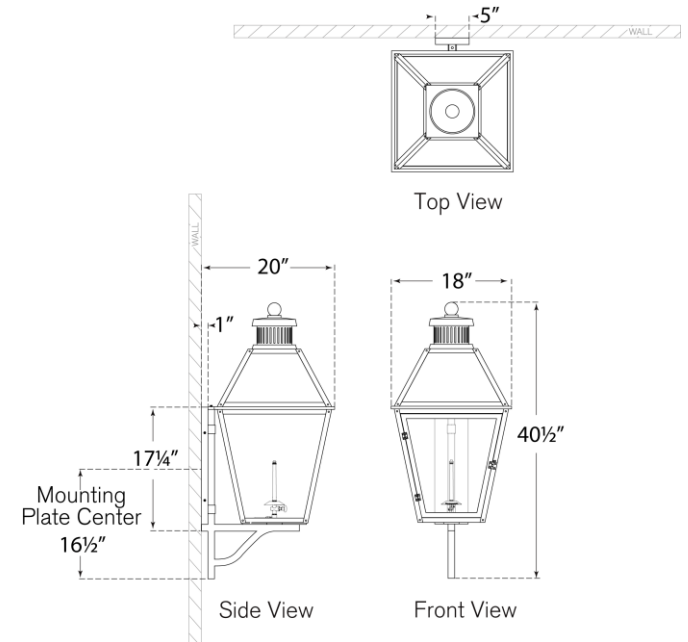
Finishes: BLK, SC

Glass Options: CG

Single Burner

Wattage: 900 - 1400 BTU

Note: Powder-Coated Aluminum | Brass Details and Iron Hardware | Natural Gas Only | Adjustable Vents | Professional Installation Only | Limited Lifetime Warranty  
Brass Will Patina



Gas light fixture supplied with  $\frac{3}{16}$ " copper gas line and  $\frac{3}{16}$ " x  $\frac{1}{4}$ " gas line adaptor