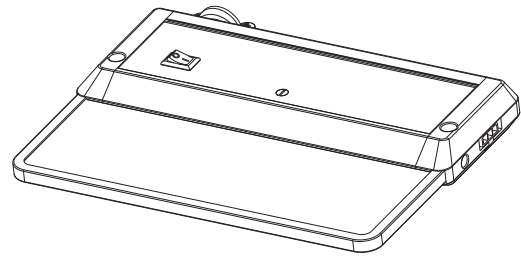


Self-Contained Glyde

GENERATION LIGHTING UNDERCABINET

SAVE THESE INSTRUCTIONS!



GENERAL PRODUCT INFORMATION:

This product is suitable for damp locations.

This product can be dimmed with a standard TRIAC or low-voltage electronic dimmer. **NOTE: 7.5" Models cannot be dimmed.**

This instruction shows a typical installation.

CAUTION - RISK OF FIRE

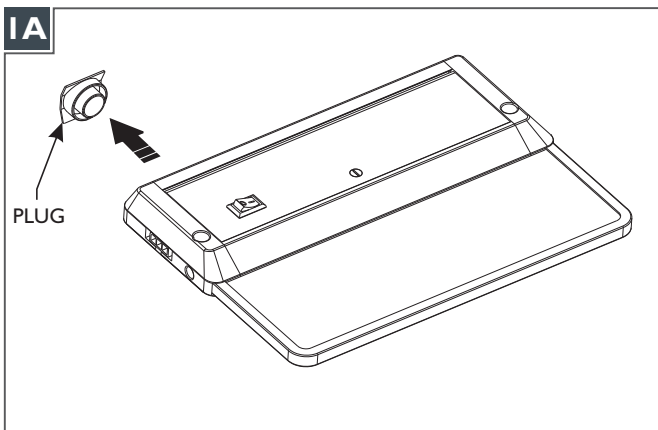
This product must be installed in accordance with the applicable installation code by a person familiar with the construction and operation of the product and the hazards involved.

Use minimum 90°c supply conductors.

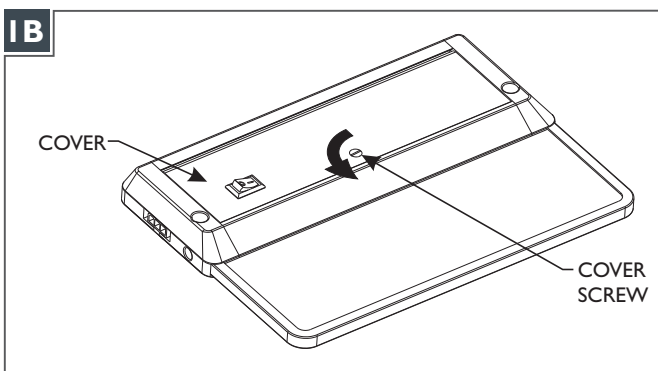
Install the Fixture

Note: Multiple fixtures may be interconnected at any distance apart in accordance with NEC specifications.

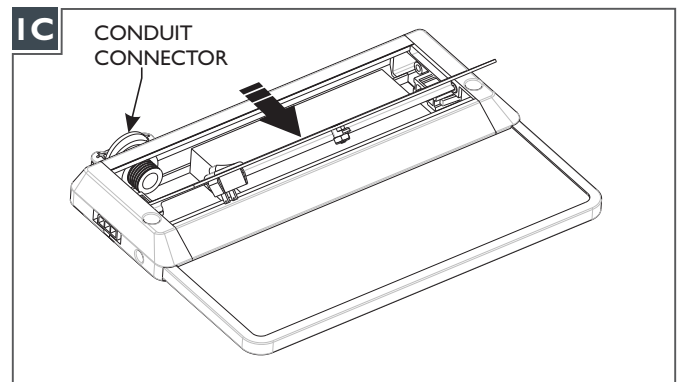
If using a **PLUG-IN** for power, Skip to **SECTION ID**.



1 Remove the plug from the back of the fixture.

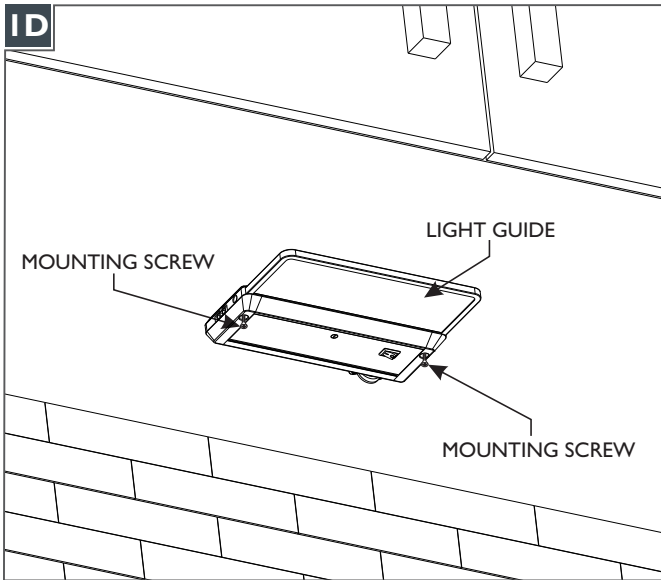


2 Unlock the cover by turning the cover screw 90° so that it is horizontal as shown.



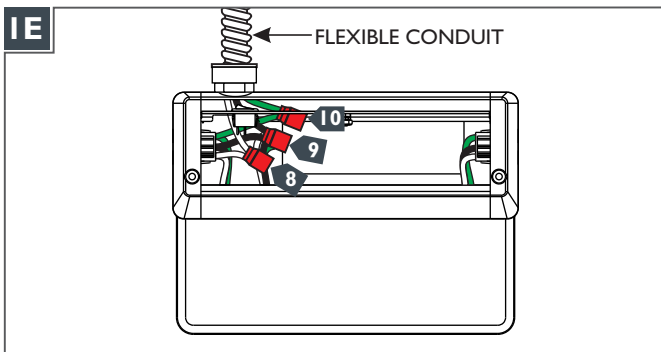
3 Lift the cover and slide it completely forward in order to assist in the conduit connector installation.

4 Install the conduit connector.



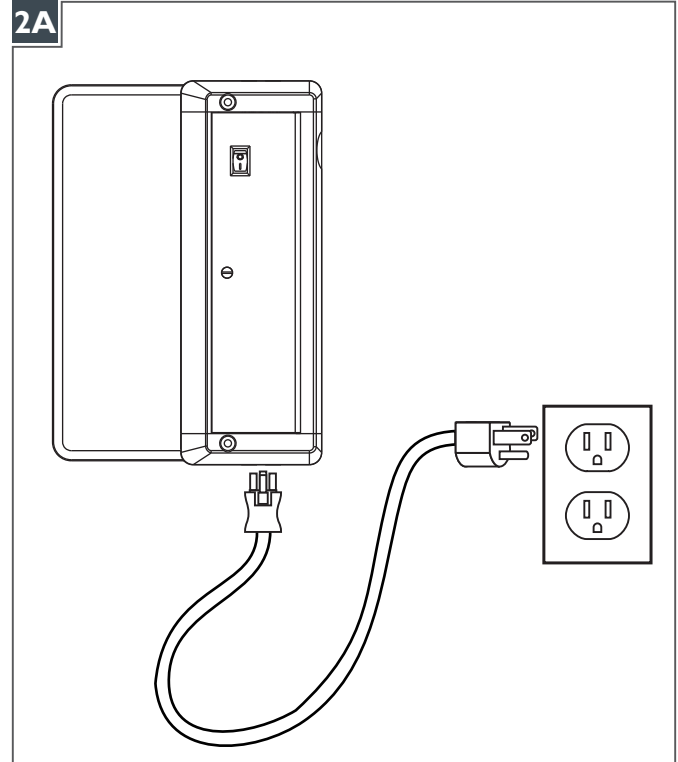
- 5** Place and level the unit in the desired position. The preferred placement of the fixture is to place the light guide centered under cabinet.
- 6** Secure it in place with the provided screws. Note: the screws may be held in place within the fixture by screwing them in a few turns.

If using a **PLUG-IN** for power, go to **SECTION 2**.



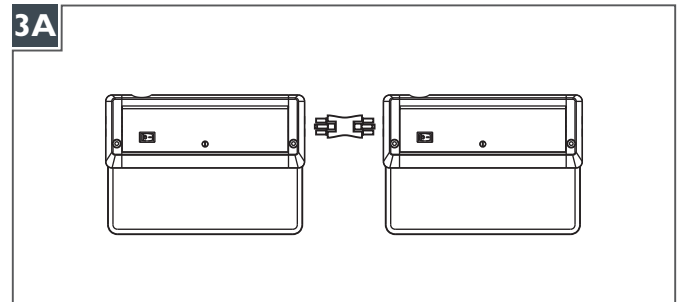
- 7** Slide the cover towards the back of the fixture.
- 8** Push the neutral power line to the wire connector with the pre-installed white wire.
- 9** Push the hot power line to the wire connector with the pre-installed black wire.
- 10** Connect the fixture to a suitable ground in accordance with local electrical code.
- 11** Properly place the wires and wire connectors into the fixture, replace and secure the cover by turning the cover lock vertically (reversal of step 2).
- 12** Skip to Section 3 if using jumper connectors.

Plug-In Wall Feed



- 1** Using the Plug-In Wall Feed, plug the Undercabinet unit directly into a wall outlet.

Jumper Connector



- 1** Remove the connector cover and use the Jumper Connectors to link multiple Undercabinet units to one another.

GENERATION LIGHTING
 7400 Linder Ave., Skokie, IL 60077
 T 847.410.4400 | F 847.410.4500
 www.generationlighting.com