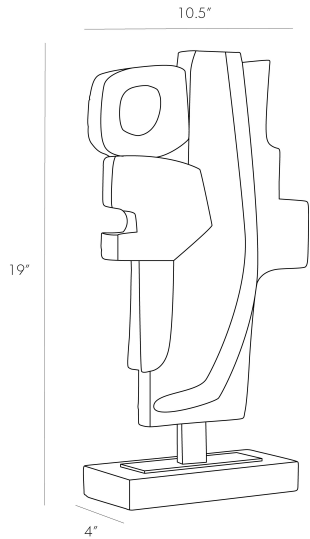


ARTERIO RS

Martin Sculpture

#9545



Interpretation, like beauty, is in the eye of the beholder. And no matter what your eye sees in this refined modernist sculpture, it's undeniably magnificent. The ivory-toned form is dual-sided to face either left or right and stands elegantly on an antique brass finish metal base. Pair it with its modernist partner, the Maeve Sculpture (9544) to create a tabletop gallery.

APPEARANCE

Top Coat/Sealant:	Yes
Installation Environment 1:	Contract Suitable
Appearance Finish:	Faux Marble
Finish 1:	Antique Brass
Primary Material:	Resin
Material 1:	Steel
Finish will vary:	Yes

CERT

*Approved for Australia:	Yes
Approved for Canada:	Yes
*Approved for European Union:	Yes
*Approved for Kazakhstan:	Yes
Approved for Mexico:	Yes
*Approved for New Zealand:	Yes
*Approved for Russian Federati:	Yes

DIMENSION

Overall Foot Print Dimensions:	9 x 4
Overall Dimension D:	10.16cm

INFO

Assembly Required:	No
Size will vary:	No

MARKET

Web/Marketing Description:	Interpretation, like beauty, is in the eye of the beholder. And no matter what your eye sees in this refined modernist sculpture, it's undeniably magnificent. The ivory-toned form is dual-sided to face either left or right and stands elegantly on an antique brass finish
Web/Marketing Description Ext:	to face either left or right and stands elegantly on an antique brass finish

Overall Dimension H: 48.26cm
Overall Dimension W: 26.67cm

metal base. Pair it with its modernist partner, the Maeve Sculpture (9544) to create a tabletop gallery.

SHIPPING

Gross Weight (e-ship): 12
Net Weight: 10.5
Truck Ship: No