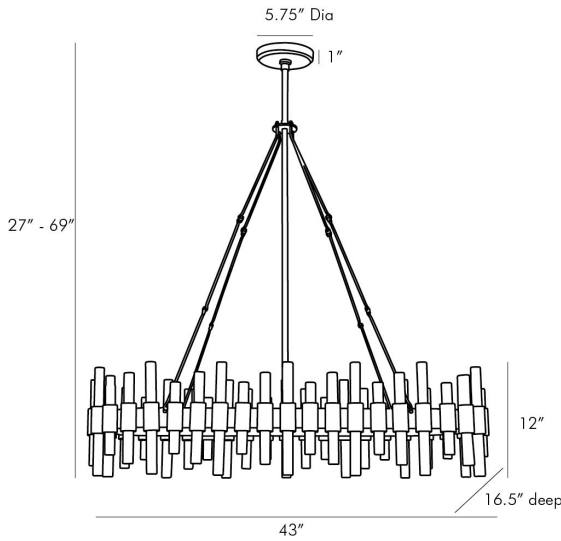


ARTERIORES

Haskell Oval Chandelier

#89130



Antique brass and clear acrylic are the perfect pair on this oval-frame steel chandelier. Forty pillars of clear acrylic create a stunning design and add extra shine. Similar style available in a small (89094) and large round shape (89055) and as a sconce (49057). Additional pipe available (PIPE-101). Approved for use in covered outdoor areas.

APPEARANCE

Canopy Finish:	Antique Brass
Canopy Material:	Steel
Installation Environment 1:	Contract Suitable
Appearance Finish:	Antique Brass
Finish 1:	Clear
Primary Material:	Steel
Material 1:	Acrylic
Pipe/Chain Finish:	Antique Brass
Finish will vary:	No

CERT

*Approved for Australia:	No
*Approved for Belarus:	No
Approved for Canada:	No
*CB Certified:	No
*Approved for European Union:	No
*Approved for Kuwait:	No
*Approved for Kazakhstan:	No
Approved for Mexico:	No
*Approved for New Zealand:	No
*Approved for Russian Federati:	No
*Approved for Saudi Arabia:	No

MARKET

Web/Marketing Description:	Antique brass and clear acrylic are the perfect pair on this oval-frame steel chandelier. Forty pillars of clear acrylic create a stunning design and add extra shine. Similar style available in a
----------------------------	---

Web/Marketing Description Ext:	small (89094) and large round shape (89055) and as a sconce (49057). Additional pipe available (PIPE-101). Approved for use in covered outdoor areas.
--------------------------------	---

DIMENSION

Overall Adjustable Height:	0cm - 0cm
Canopy Dimension Dia:	14.605cm
Canopy Dimension H:	3.81cm
Chandelier Dim W:	109.22cm
Chandelier Dim H:	30.48cm
Chandelier Dim D:	41.91cm
Overall Dimension D:	41.91cm
Overall Dimension W:	109.22cm

INFO

Additional Part Number 1:	PIPE-101
Additional Part Dims 1:	(1) 6", (1) 12"
Additional Part Number 2:	CANOPY-106
Additional Part 1- Max Qty:	3
Additional Part Dims 2:	1 x 5.75
Assembly Required:	No
Size will vary:	No

SHADE

Shade Diffuser (Y/N):	No
-----------------------	----

SHIPPING

Gross Weight (e-ship):	56
Net Weight:	49.5
Truck Ship:	No

WIRING

ADA Approved:	No
Bulb:	B10 Incandescent
Cord Color:	Black
Cord Length (Exit):	10
Damp Rated - Covered:	Damp Rated
Maximum Chain/Pipe Extension:	9.5
Pipe/Chain Length:	(1) 4", (1) 6", (2) 12"
Plug:	Hardwired
RoHS:	Yes
Socket Quantity:	10
Socket Type:	Type B--E12, Other
Socket Wattage:	40
UL/cUL Approved:	Yes
Voltage:	110-120 Volt