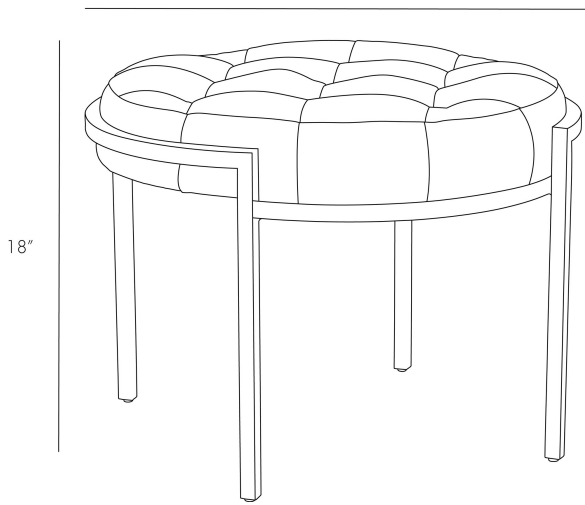


ARTERIOS

Orielle Ottoman

#6891

24" Dia



The Orielle Ottoman is elegantly crafted in polished nickel stainless steel with slender legs and simple lines that are easy on the eyes. Featuring a plush, pintucked cushion upholstered in soft moss gray suede. Ideal as a stool, ottoman or seat, this multifunctional piece will add a little extra glamour in your life no matter how you use it. Also comes in dove gray leather (6892). Suede tone may vary.

APPEARANCE

Appearance Finish:	Moss Gray
Finish 1:	Polished Nickel
Primary Material:	Suede
Material 1:	Stainless Steel
Finish will vary:	No

CERT

*Approved for Australia:	Yes
Approved for Canada:	Yes
*Approved for European Union:	Yes
*Approved for Kazakhstan:	Yes
Approved for Mexico:	Yes
*Approved for New Zealand:	Yes
*Approved for Russian Federati:	Yes

DIMENSION

Clearance:	34.29cm
Overall Diameter:	60.96cm
Overall Foot Print Dimensions:	24" Dia
Overall Dimension H:	45.72cm
Seat Cushion (thickness):	8.89cm

INFO

Assembly Required:	No
Size will vary:	No

MARKET

Web/Marketing Description:	The Orielle Ottoman is elegantly crafted in polished nickel stainless steel with slender legs and simple lines that are easy on the eyes. Featuring a plush, pintucked cushion upholstered in soft moss gray suede. Ideal as a stool, ottoman or seat, this multifunctional
Web/Marketing Description Ext:	

Seat H (flr to top of seat): 45.72cm

piece will add a little extra glamour in your life no matter how you use it. Also comes in dove gray leather (6892). Suede tone may vary.

SHIPPING

Gross Weight (e-ship):	23
Net Weight:	13.5
Truck Ship:	No