

Clybourn Wall

4161601, 4461602, 4461603, 4461604 | 1.0

GENERATION LIGHTING WALL

GENERAL PRODUCT INFORMATION:

These fixtures are intended to be installed utilizing NEC compliant junction boxes.

This product is safety listed for damp locations.

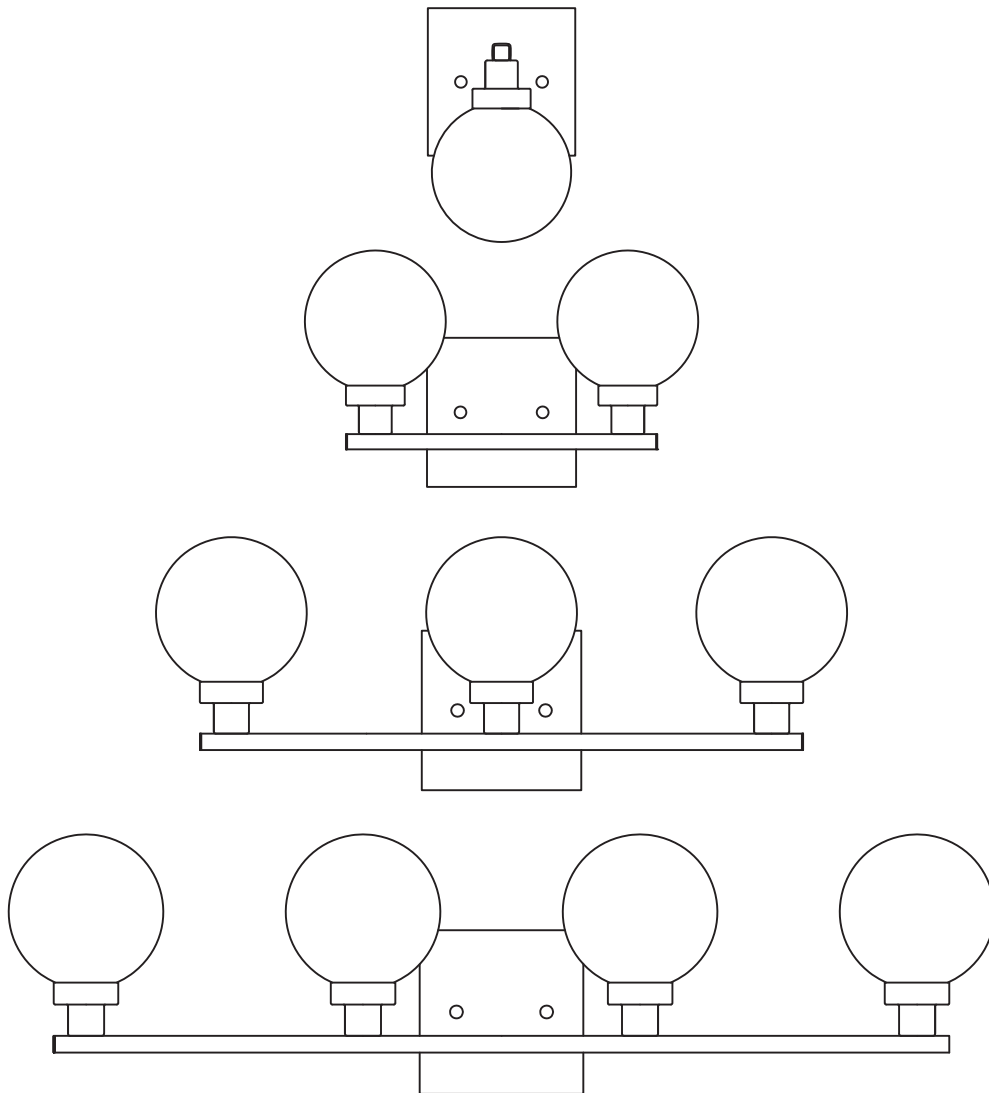
This instruction shows a typical installation.

CAUTION - RISK OF FIRE

This product must be installed in accordance with the applicable installation code by a person familiar with the construction and operation of the product and the hazards involved.

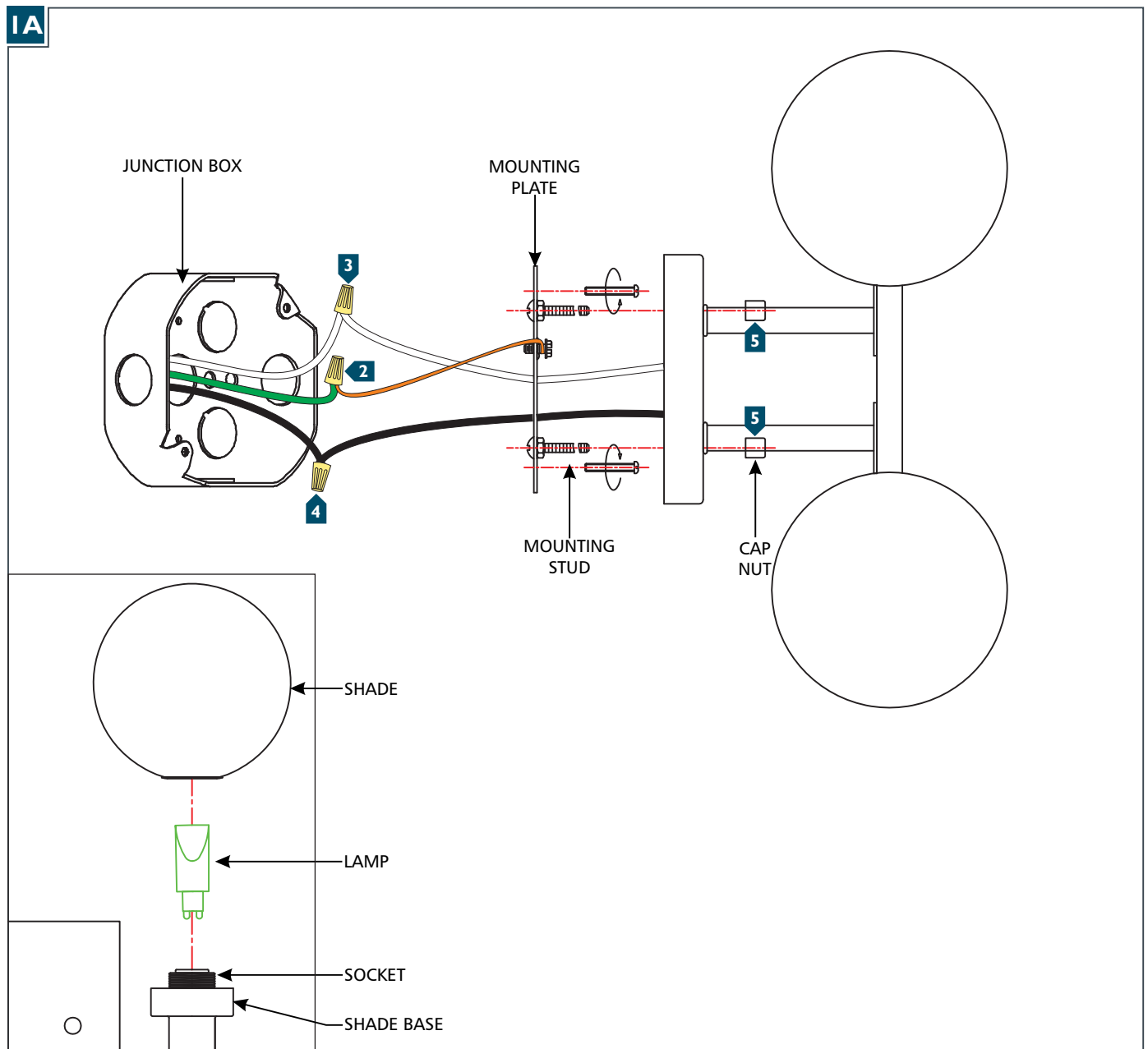
Use minimum 90°C supply conductors.

SAVE THESE INSTRUCTIONS!



GENERATION LIGHTING
7400 Linder Ave., Skokie, IL 60077
T 847.410.4400 | F 847.410.4500
www.generationlighting.com

Install the Fixture



- 1 Secure the mounting plate to the junction box or wall.
- 2 Connect the fixture to a suitable ground in accordance with local electrical codes.
- 3 Connect the white fixture wire to the neutral power line wire with a wire nut.
- 4 Connect the black fixture wire to the hot power line wire with a wire nut.
- 5 Neatly place the wires into the junction box, place the fixture onto the mounting studs, and secure it in place by screwing the cap nuts onto the studs.
- 6 Install the lamp(s) by inserting them completely into the socket holes. Refer to the label on the socket for Max Wattage Information.
- 7 Screw the shade onto the socket threads. Repeat for remaining shades.