

Syll Wall

4130801, 4430802, 4430804, 4430806 | 1.0

GENERATION LIGHTING

WALL

CAUTION - RISK OF FIRE
This product must be installed in accordance with the applicable installation code by a person familiar with the construction and operation of the product and the hazards involved.
Use minimum 90°C supply conductors.

GENERAL PRODUCT INFORMATION:

These fixtures are intended to be installed utilizing NEC compliant junction boxes.

This product is safety listed for damp locations.

Incandescent version may be dimmed with a standard incandescent dimmer. LED version may be dimmed with a LED dimmer. Consult lamp manufacturer for additional information.

This instruction shows a typical installation.

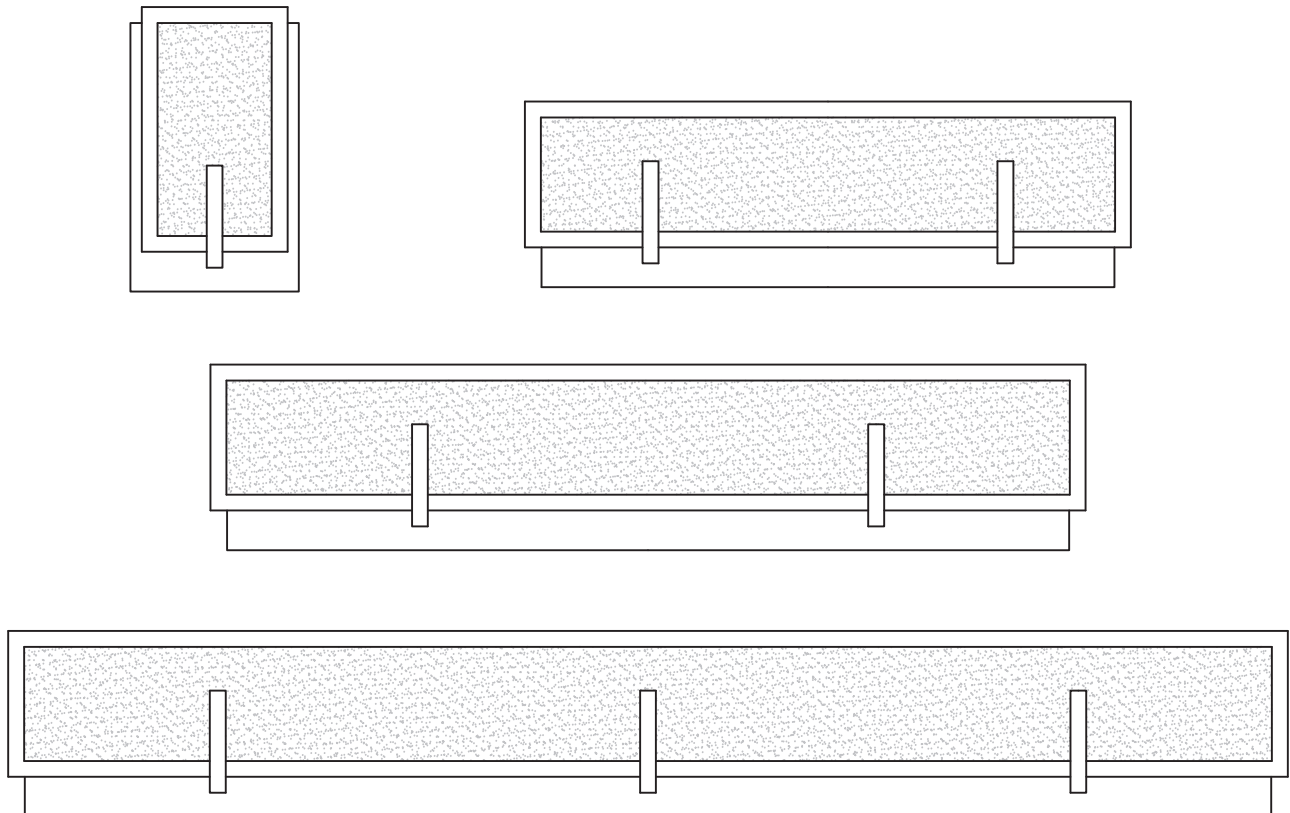
GENERATION LIGHTING

7400 Linder Ave, Skokie, IL 160077

800.969.3347

www.generationlighting.com

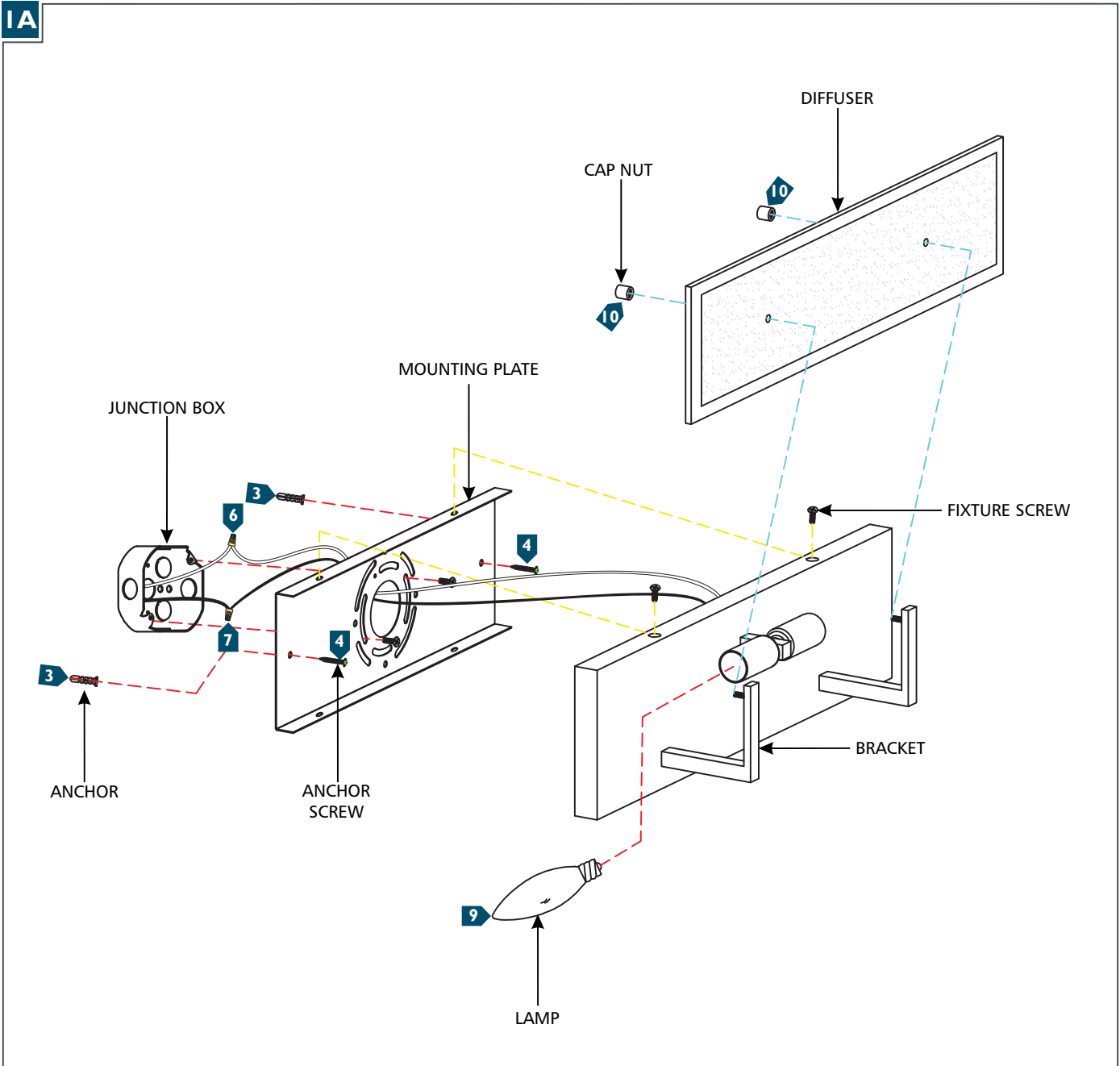
© 2020 Generation Lighting. All rights reserved.
The "Generation Lighting" graphic is a registered trademark of Generation Lighting. Generation Lighting reserves the right to change specifications for product improvements without notification.



SAVE THESE INSTRUCTIONS!

Install the Fixture

1A



- 1** Temporarily install the mounting plate to the junction box.
- 2** Mark the anchor locations through the holes on the mounting plate. Remove the mounting plate.
- 3** Drill appropriate sized holes at the marked locations and install the anchors.
- 4** Secure the mounting plate to the junction box and screw the anchor screws into the anchors.
- 5** Connect the fixture to a suitable ground in accordance to local electrical codes.
- 6** Connect the white fixture wire (square and/or rigid) to the neutral power line wire with a wire nut.
- 7** Connect the black fixture wire (round and/or smooth) to the hot power line wire with a wire nut.
- 8** Neatly place all the wires into the junction box, place the fixture base onto the mounting plate, and secure it in place using the fixture screws.
- 9** Screw the lamps into the sockets. Refer to the label on the socket for Max Wattage Information.
- 10** Install the diffuser onto the studs on the brackets, then secure in place by screwing the cap nuts onto the studs.