

Oslo Wall

41160 | I.I

GENERATION LIGHTING WALL

SAVE THESE INSTRUCTIONS!

GENERAL PRODUCT INFORMATION:

These fixtures are intended to be installed utilizing NEC compliant junction boxes.

This product is safety listed for damp locations.

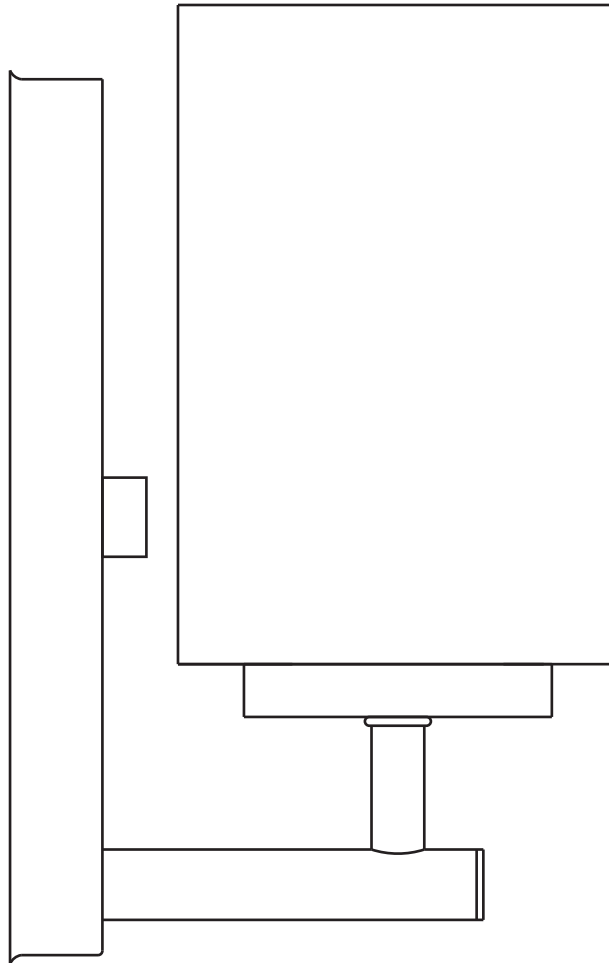
Incandescent version may be dimmed with a standard incandescent dimmer. LED version may be dimmed with a LED dimmer. Consult lamp manufacturer for additional information.

This instruction shows a typical installation.

CAUTION - RISK OF FIRE

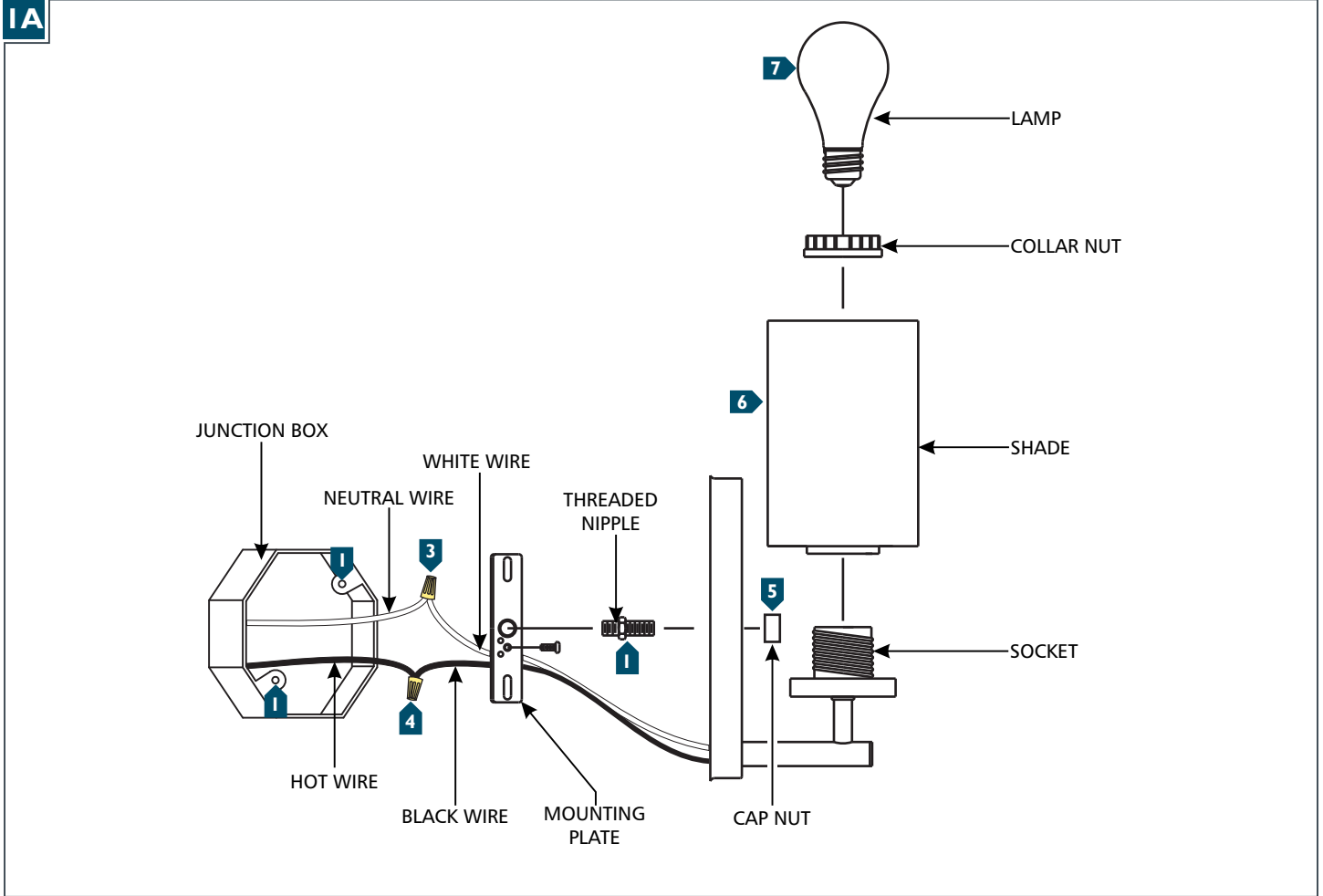
This product must be installed in accordance with the applicable installation code by a person familiar with the construction and operation of the product and the hazards involved.

Use minimum 90°c supply conductors.



GENERATION LIGHTING
7400 Linder Ave., Skokie, IL 60077
T 847.410.4400 | F 847.410.4500
www.generationlighting.com

Install the Fixture



- 1** If necessary, screw the shorter end of the threaded nipple onto the mounting plate, then secure the mounting plate to the junction box.
- 2** Connect the fixture to a suitable ground in accordance to local electrical codes.
- 3** Connect the white fixture wire to the neutral power line wire with a wire nut.
- 4** Connect the black fixture wire to the hot power line wire with a wire nut.
- 5** Neatly place the wires into the junction box, mount the fixture base onto the threaded nipple, and secure it with the cap nut.
- 6** Place the shade onto the socket, then secure in place by screwing the collar nut onto the socket
- 7** Screw the lamp into socket. Refer to the label on the socket for Max Wattage Information.