

# Baker Chandelier

3187204, 3287204 | 1.0

## GENERATION LIGHTING CHANDELIER

### SAVE THESE INSTRUCTIONS!

#### GENERAL PRODUCT INFORMATION:

These fixtures are intended to be installed utilizing NEC compliant junction boxes.

This product is safety listed for damp locations.

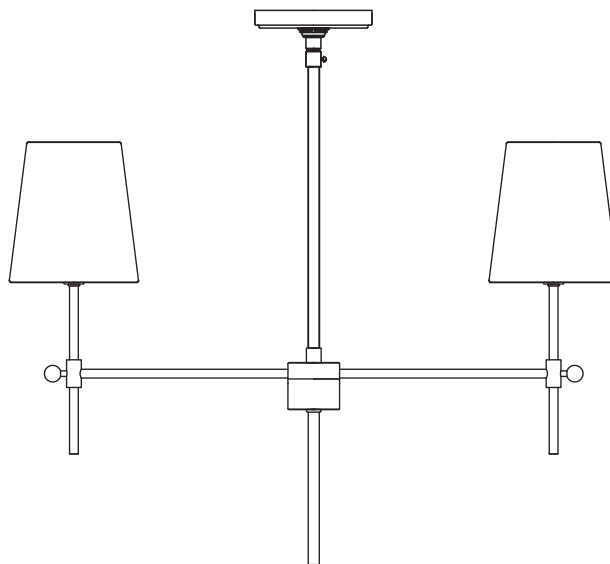
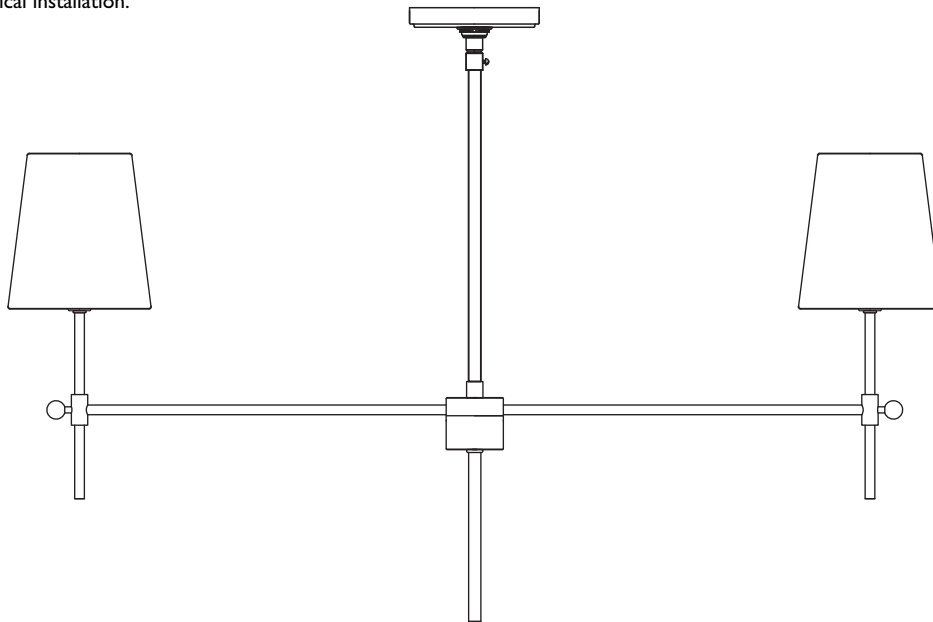
Incandescent version may be dimmed with a standard incandescent dimmer. LED version may be dimmed with a LED dimmer. Consult lamp manufacturer for additional information.

This instruction shows a typical installation.

#### CAUTION - RISK OF FIRE

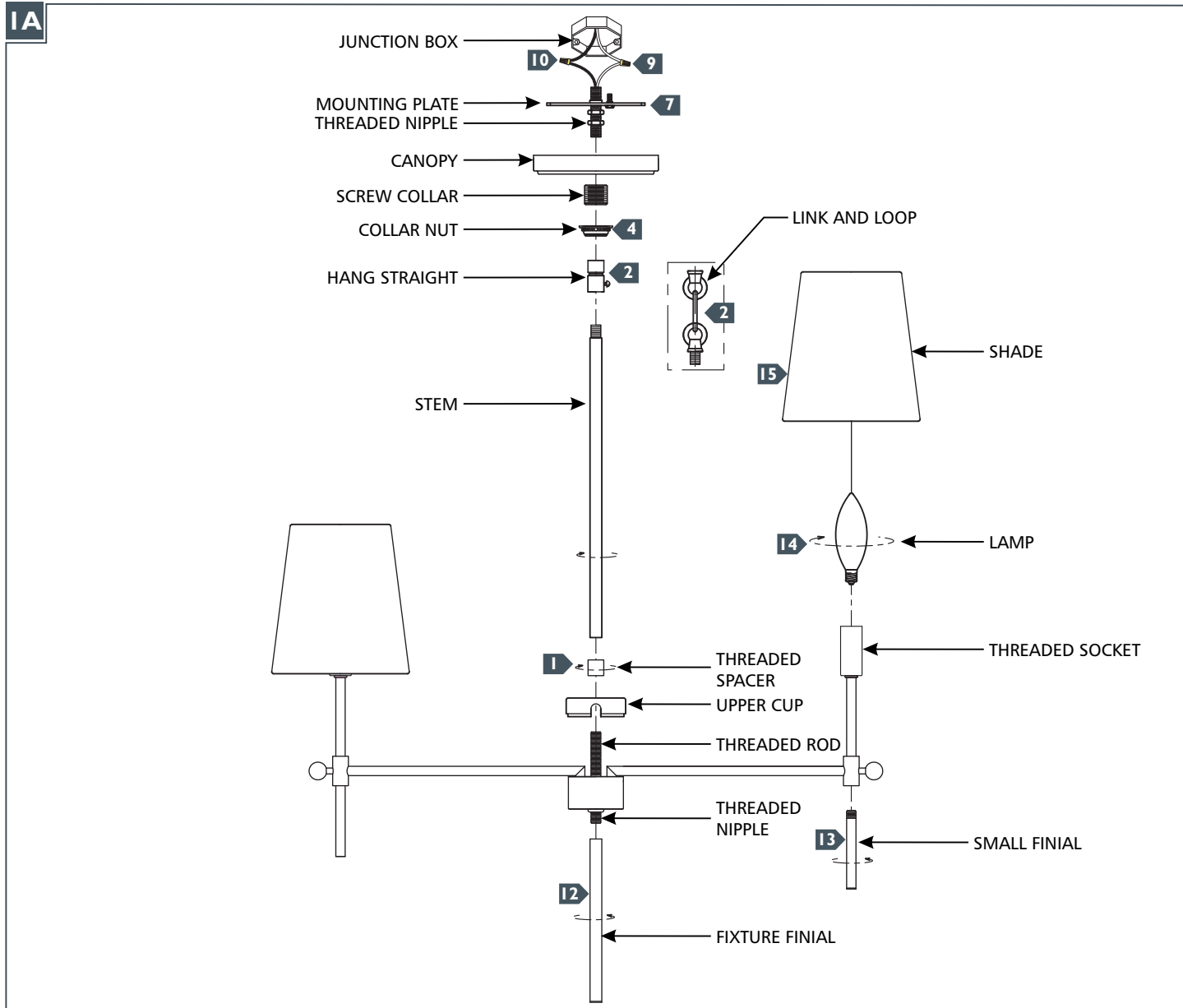
This product must be installed in accordance with the applicable installation code by a person familiar with the construction and operation of the product and the hazards involved.

Use minimum 90°c supply conductors.



GENERATION LIGHTING  
7400 Linder Ave., Skokie, IL 60077  
T 847.410.4400 | F 847.410.4500  
www.generationlighting.com

# Install the Fixture



- 1** Feed the fixture wires through the top cup and spacer, and thread the spacer onto the threaded nipple.
- 2** Determine the wanted height or look of the fixture with the provided stems, swivel, and/or chain and assemble them by screwing them together. **NOTE: Use hang straight for standard ceilings and use link and loop for sloped ceilings.**
- 3** Feed the fixture wires through the stem/hang straight or link and loop assembly and screw the assembly to the fixture.
- 4** Unscrew the collar nut off the screw collar and place it onto the stem/hang straight or link and loop assembly followed by the canopy.
- 5** Screw the screw collar onto the threaded nipple.
- 6** Feed the fixture wires through the threaded nipple and screw the mounting plate assembly onto the hang straight or link and loop.
- 7** Align and secure the mounting plate to the junction box.
- 8** Connect the fixture to a suitable ground in accordance to local electrical codes.
- 9** Connect the white fixture wire (square and/or rigid) to the neutral power line wire with a wire nut.
- 10** Connect the black fixture wire (round and/or smooth) to the hot power line wire with a wire nut.
- 11** Neatly place all the wires into the junction box, place the canopy onto the ceiling and secure it in place with the collar nut.
- 12** Install the fixture finial by screwing it on to the lower threaded nipple.
- 13** Install the small finials to each arm by screwing them into the bottom of the socket assembly.
- 14** Screw the lamp into the socket. Refer to the label on the socket for Max Wattage Information.
- 15** Install the shades by placing them over the lamps.