

SPECTRA, 4-LIGHT ROUND FLUSHMOUNT



Product Details

| | | |
|-------------|---|-------------------|
| Item No. | : | 25691-016 |
| Finish | : | Chrome |
| Shade | : | Clear Sugar Glass |
| Diameter | : | 15" |
| Height | : | 4" |
| Est. Weight | : | 18.22 lbs |
| Approval | : | cULus |

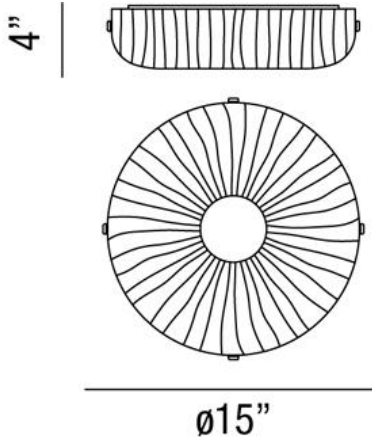
BULB DETAILS

| | | |
|---------------|---|------|
| No. of Bulbs | : | 4 |
| Bulb Type | : | B10 |
| Bulb Voltage | : | 120V |
| Bulb Wattage | : | 60W |
| Bulb Socket | : | E12 |
| Input Voltage | : | 120V |
| Dimmable | : | Yes |
| Bulb Included | : | No |

Options Available

| ITEM NO. | FINISH | SHADE |
|-----------|--------|-------------------|
| 25691-016 | Chrome | Clear Sugar Glass |

Molded and pressed fracco glass with chrome plated frame and accents



TECHNICAL DETAILS

| | | |
|-----------------|---|------|
| Canopy Diameter | : | 13" |
| Canopy Height | : | 0.8" |

PROJECT INFORMATION

Job Name: Date: Type:

Comments: