

OIBO'

Wooden seat designed for small children, stable, comfortable, with a playful look, suitable for children from 2 to 7 years.

Made of natural and totally non-toxic materials, quickly adjustable, it is specially shaped so that the seat can be adapted to the child to give a safe and "embraced" feeling. Oibò is the ideal solution for enabling children with special needs to socialise with their friends, play with them and fully experience every situation, from nursery school onwards.

You can complete Oibò with chest supports, tray table, abductor and footrest.



A design.. super special :)

The contoured shapes, designed to help the child during all kinds of movement, the materials, attractive and warm to the touch, the colours – everything has been designed to create a small armchair for little people, as attractive as a toy and almost as comfortable as mother's arms.

Oibò stands out from all other seating systems for children with special postural needs through its playful look, which is still preserved even when all the accessories are fitted.

Ready to play!

The shape suggests welcome and stability, the easy adjustments adapt the seat to the child's measurements even during his growth and follow the changing of his abilities.

The possibility to add a small tray table and postural accessories makes Oibò an ideal chair for young children who want to play with their friends.



Design from the ground up ...

The chair has been designed with a wooden structure, shaped to provide maximum support but at the same time giving the child freedom of movement, with the utmost safety and stability. The seat is covered with a soft and coloured cushion, the fabric is pleasant to the touch and easy to clean, and the foam is soft, comfortable and durable.

The base of the legs is very strong, made by a special very strong plastic material; it does not deteriorate even if dragged on the floor and does not absorb liquids such as, for example, when cleaning the floor: it is ideal for schools and communities.

... to accessories

The various options for seat customisation have been designed to adapt the chair to the postural needs of each child, to follow both the morphological mutations (typical of that period of development) and the "functional" changes, and to allow a more active and dynamic position or a more relaxed one.

Accessories: compose your configuration!



Code 800113-4
Chest supports (pair) adjustable for width.



Cod. 870331-2
Braces "Easy"



Cod. 870341-2
Vest with braces "Easy"



Code 800115
Abductor, padded



Code 870351-2
45° pelvic belt "Easy", two points with pad and plastic buckle.



Code 800111-2
Footrest adjustable for height.



Code 800121-2
Wooden tray table

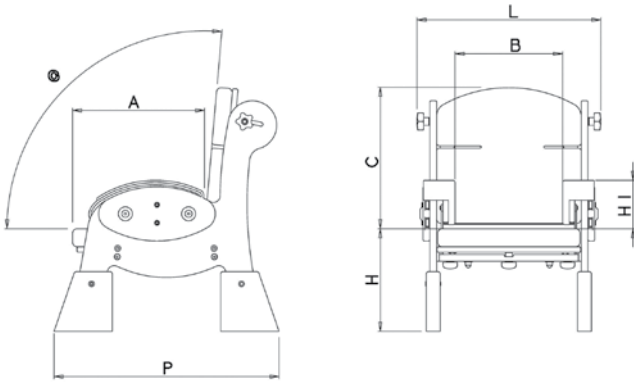


Code 800123-24
Oibò Easy desk, with 4 height-adjustable legs, top with recess.

The purchase of the desk does not include the chair.

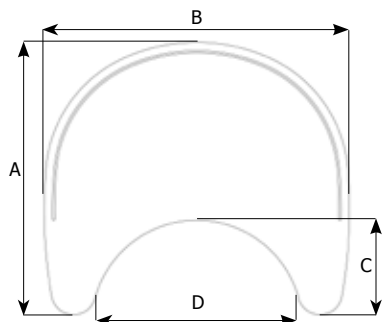
Dimension sheet

SEAT



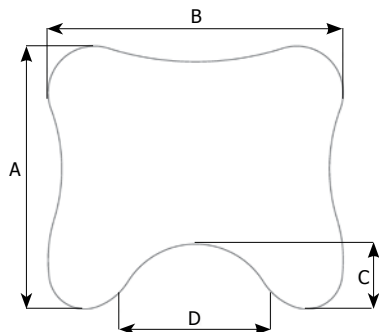
			SIZE 1	SIZE 2
A	Seat depth	Cm	22 - 28,5	26 - 32,5
B	Seat width	Cm	17 - 25	19 - 27
C	Back height	Cm	33	38
H	Seat height / ground	Cm	22 - 30	26 - 34
H1	Seat height / armrests	Cm	12	13,5
α	Backrest angle	°	95° - 105°	95° - 105°
	Tilting seat	°	-5°; 0; +5°	-5°; 0; +5°
P	Chair depth, max	Cm	52,5	60
L	Chair width	Cm	40,5	42,5
	Child's age (years)	Anni	2 - 5	4 - 7
	Max Capacity (kg)	Kg	30	40

TRAY TABLE



			SINGLE SIZE
A	Depth	Cm	49
B	Width	Cm	55
C	Recess depth	Cm	17
D	Recess width	Cm	37

DESK



			SIZE 1 - 2
A	Depth	Cm	62
B	Width	Cm	70
C	Recess depth	Cm	15
D	Recess width	Cm	36
H	Top height - size 1	Cm	42 - 47
H	Top height - size 2	Cm	48 - 53

Choose the upholstery color:

OM20 fabric

