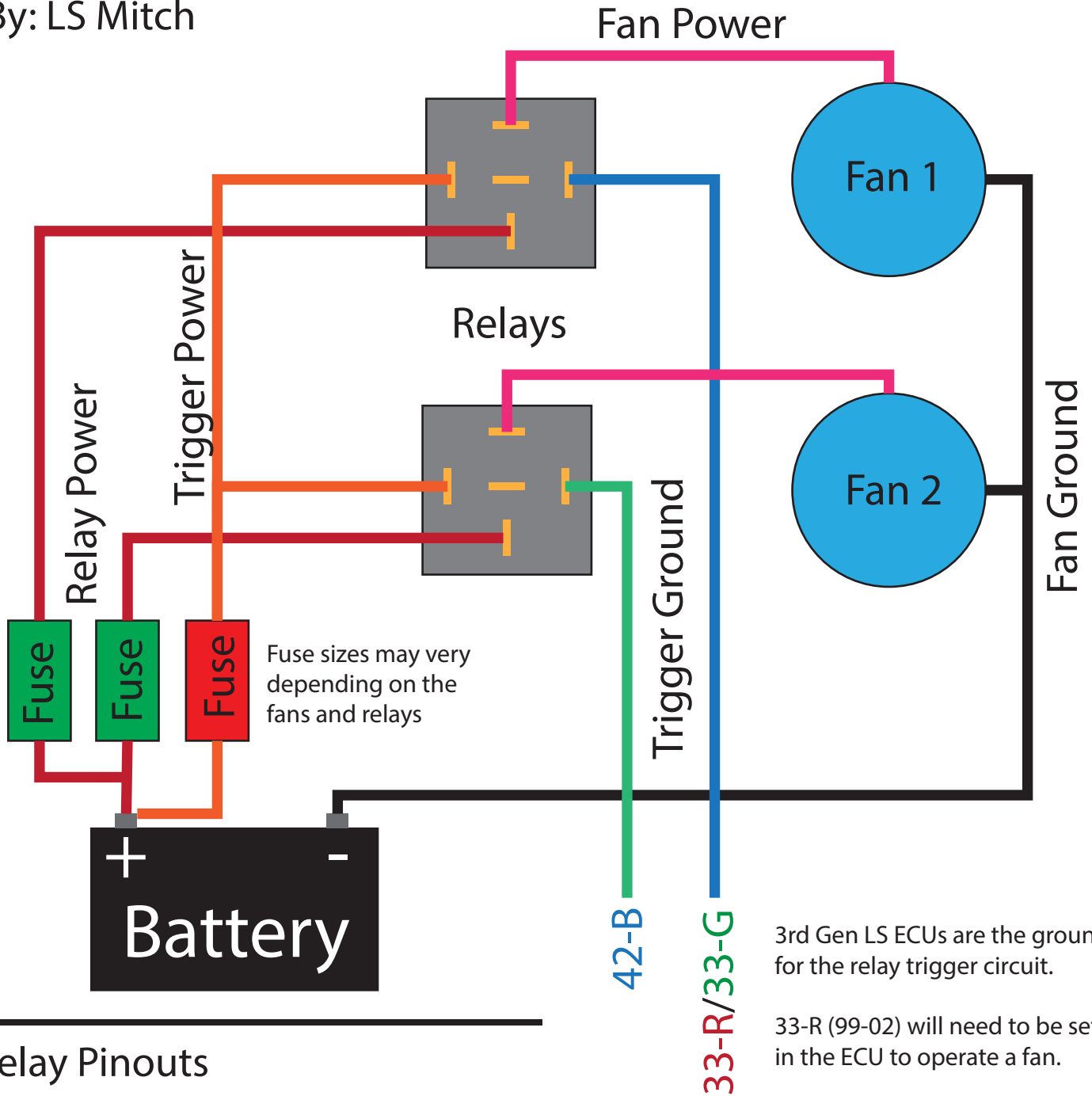


Electric Fan Harness Wiring Diagrams for 3rd Gen LS Platform

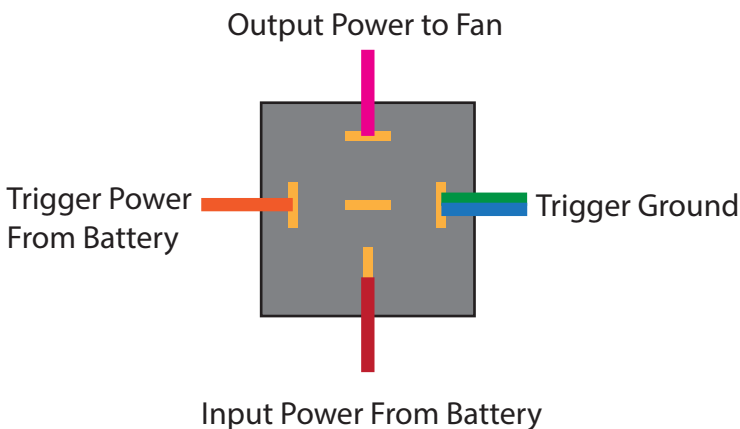
By: LS Mitch



3rd Gen LS ECUs are the ground for the relay trigger circuit.

33-R (99-02) will need to be set up in the ECU to operate a fan.

Relay Pinouts



More Information at lsmitch.com

 LS mitch
 @ls_mitch

