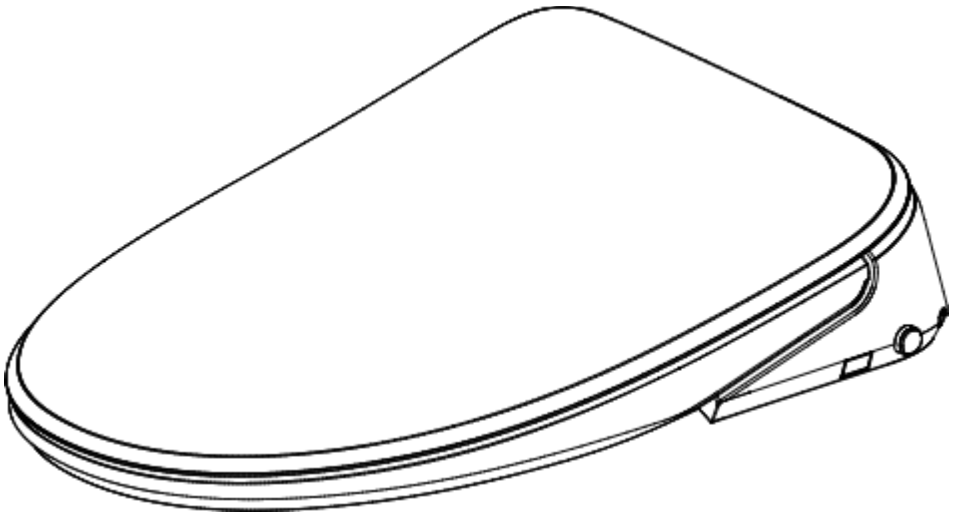


JOMOO



SMART BIDET TOILET SEAT

Content


1. Important Safeguards and Instructions	01-02
2. Parts Identification	03
3. Main Unit Knob Instructions	04
4. Main Unit Side Button Instructions	04
5. Technical Specification	05
6. Packing List	06
7. Product Dimension and Installation Tool	07
8. Installation of Main Unit	07
Installation of Base Plate	07
Installation and Disassembly of Main Unit	07
Installation of Water Inlet Pipe and T Valve	08
9. Preparation	09
10. Maintenance	10
Maintenance of Main Unit	10
Nozzle Maintenance	10
Filter Maintenance	10
Filter Cleaning for Pressure-maintaining Valve	11
Self-cleaning Waterway Maintenance	11
Deodorizing Device Maintenance	11
Disassembly and Installation of Clamp	12
11. Troubleshooting Guide	13
12. Warranty card	14

IMPORTANT SAFEGUARDS


When using electrical products, especially when children are present, basic safety precautions should always be followed, including the following:

1. The appliance is not to be used by persons (including children) with reduced physical, sensory or mental capabilities, or lack of experience and knowledge, unless they have been given supervision or instruction.
2. This appliance can be used by children aged from 8 years and above and persons with reduced physical, sensory or mental capabilities or lack of experience and knowledge if they have been given supervision or instruction concerning use of the appliance in a safe way and understand the hazards involved.
3. Children shall not play with the appliance.
4. Cleaning and user maintenance shall not be made by children without supervision.

READ ALL INSTRUCTIONS BEFORE USING

 **DANGER** – To reduce the risk of electrocution:

1. Do not use while bathing.
2. Do not place or store product where it can fall or be pulled into a tub or sink.
3. Do not place in or drop into water or other liquid.
4. Do not reach for a product that has fallen into water. Unplug immediately.
5. Do not wash the main unit or electrical plug with water or detergent.
6. Do not handle the electrical plug with wet hands.
7. Do not put a hand or other materials over the outlet of air dryer or block the outlet of air dryer.
8. Never disassemble, repair or modify this product.
9. During installation, disassembly, repair and maintenance of the product, the power plug must be switched off and water supply be shut off.

 **WARNING** – To reduce the risk of burns, electrocution, fire, or injury to persons.

1. Close supervision is necessary when this product is used by, on, or near children or individuals with disabilities.
2. Use this product only for its intended use as described in this manual. Do not use attachments not recommended by the manufacturer.
3. Never operate this product if it has a damaged cord or plug, if it is not working properly, if it has been dropped or damaged, or dropped into water. Return the product to a service center for examination and repair.
4. Keep the cord away from heated surfaces.
5. Never use while sleeping or drowsy.
6. Never drop or insert any object into any opening or hose.
7. Do not use outdoors or operate where aerosol (spray) products are being used or where oxygen is being administered.
8. Connect this product to a properly grounded outlet only. See Grounding Instructions.
9. Do not throw cigarettes and other burning materials into toilet, otherwise it might cause fire.
10. This product is an electric appliance, so it must be placed far away from water and other liquid.
11. Do not lay the product on its side or upside down during the electrical circuit.
12. It is prohibited to use other electric appliances in the same socket.
13. It is forbidden to use the power extension or unstable loose outlet.
14. Do not reuse any existing water supply hoses, otherwise it might cause leakage, fire or electrical shock. Installation of the bidet seat should include specified components and a new water supply hose.

IMPORTANT SAFETY INSTRUCTIONS



CAUTION – Indicates that failure to follow the instruction may cause body injury or property damage.

1. Do not install or use the product in wet places as steam room etc.
2. It is recommended to use water-proof electrical outlet which should be installed in a place where is not easily to get wet.
3. This product should be used with 220-240V, 50-60Hz electrical current only, load current is at least 10A. Power plug must be equipped with ground fault circuit interrupter or ground fault electrical leakage protector or similar high sensitive, rapid type leakage switch (Rated sensitive current under 10mA).
4. When it thunders, it is strongly recommended to pull out the power plug.
5. Do not stand on ceramic toilet.
6. Ceramic toilet must install floor fixing bolts.
7. Do not stand on product unit, seat and cover.
8. Do not lean against the seat cover when using the product, to avoid damage.
9. This product is equipped with a soft-closing seat cover. Do not push the toilet seat closed, or damage may occur.
10. Do not use lacquer thinner, petrol, liquid medicine, detergent, insecticide, toilet cleanser and scrubbing brush to clean the product.
11. Exposure to direct sunlight is prohibited.
12. Only use tap water or potable water, otherwise it may cause chafing.
13. Do not connect water supply to heater outlet. Make sure inlet water temperature is between 3~35°C/37.4~95°F .
14. When the room temperature is under zero degree, please drain the water tank, to avoid freezing.
15. Raise room temperature to prevent the toilet from damage due to freezing.
16. When moving the product from cold or wet environment into normal room temperature, wait for 2 hours until the condensation water is fully volatilized. Doing so can prevent the product from electrical short-circuit.
17. When not using the product over three(3) days, drain the water out of the toilet and pull the electrical plug from the wall outlet.
18. Stop using the product and shut off the power when product malfunctions. Call for professional service.

GROUNDING INSTRUCTIONS

This product should be grounded. In the event of an electrical short circuit, grounding reduces the risk of electric shock by providing an escape wire for the electric current. This product is equipped with a cord having a grounding wire with a grounding plug. The plug must be plugged into an outlet that is properly installed and grounded.

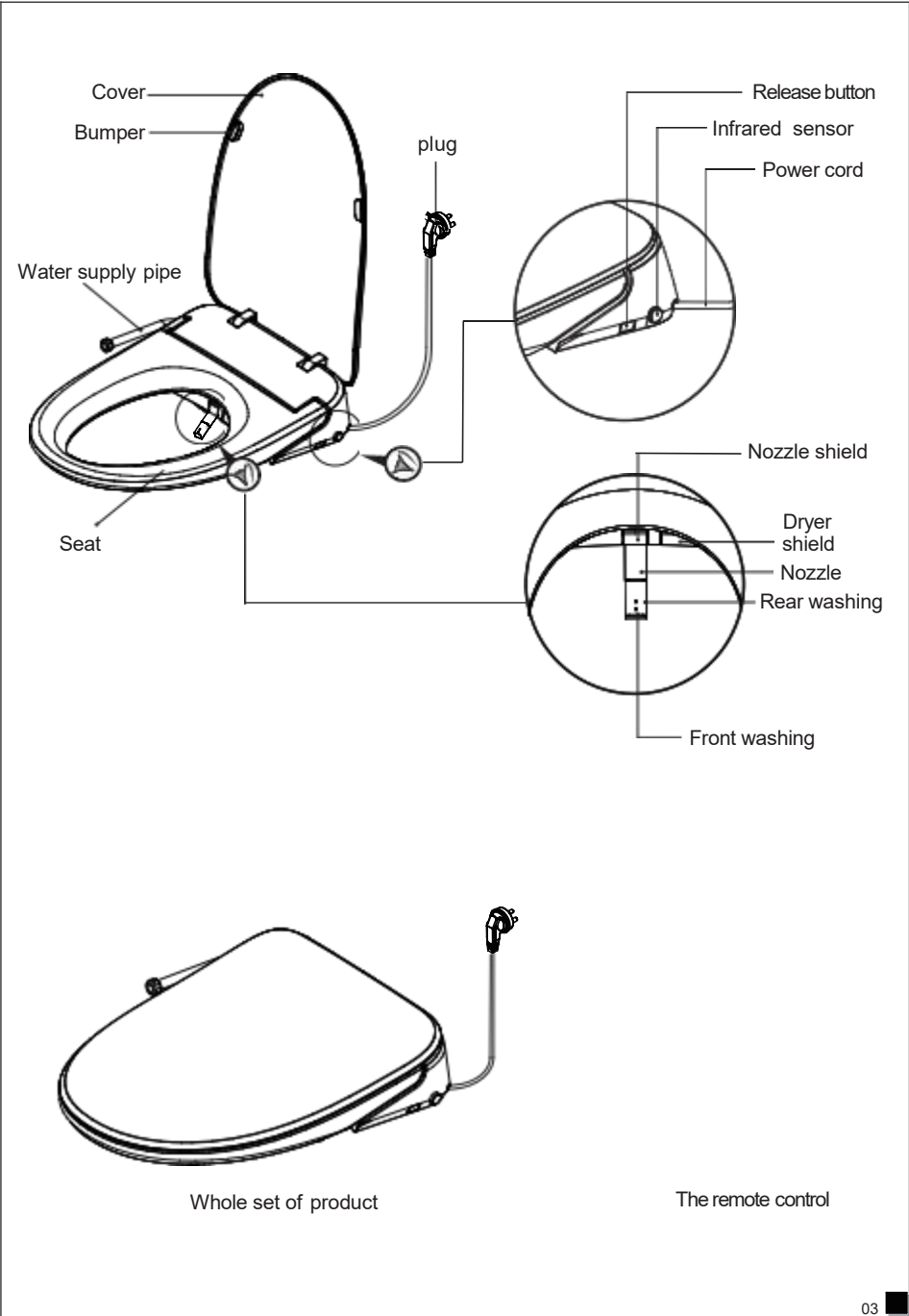
△ DANGER – Improper use of the grounding plug can result in a risk of electric shock.

If repair or replacement of the cord or plug is necessary, do not connect the grounding wire to either flat blade terminal. The wire with insulation having an outer surface that is green with or without yellow stripes is the grounding wire.

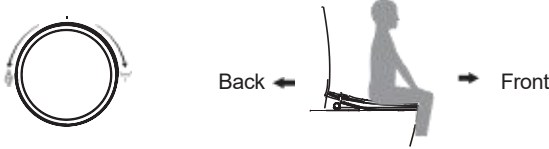



This product is factory equipped with a specific electric cord and plug to permit connection to a proper electric circuit. Make sure that the product is connected to an outlet having the same configuration as the plug. No adapter should be used with this product. Do not modify the plug provided — if it will not fit the outlet, have the proper outlet installed by a qualified electrician. If the product must be reconnected for use on a different type of electric circuit, the reconnection should be made by qualified service personnel.

SAVE THESE INSTRUCTIONS





Parts Identification



Main Unit Knob Instructions (Knob Activation)

		
Rear Washing Knob	<ol style="list-style-type: none"> When seated, turn Rear Washing Knob clockwise to start rear washing function; Rear washing → Drying → Stop drying automatically. During rear washing, turn the knob clockwise, the washing position moves forward, otherwise, the washing position moves backward. 	
Front Washing Knob	<ol style="list-style-type: none"> When seated, turn Front Washing Knob counterclockwise to start front washing function; Front washing → Drying → Stop drying automatically. During front washing, turn the knob counterclockwise, the washing position moves backward, otherwise, the washing position moves forward. 	
Stop Knob	Press the Activation Knob to stop the function in progress: rear washing, front washing, drying or nozzle cleaning function.	

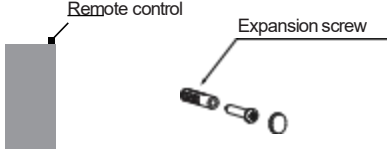
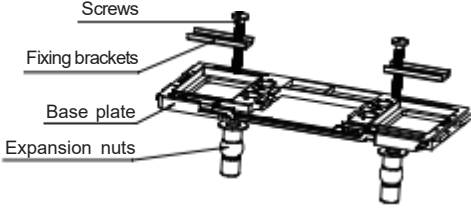



Main Unit Side Button Instructions (Button Activation)

		
 Rear Washing Button	<ol style="list-style-type: none"> When seated, short press Rear Washing Button to start rear washing function; Rear washing → Drying → Stop drying automatically. When rear washing function is on, long press Rear Washing Button to start oscillating washing function; long press again to turn off oscillating washing function. During washing, short press Rear Washing Button, the nozzle will move back slightly. When no one is seated, press Rear Washing Button, the nozzle will stretch out to allow access for cleaning. 	
 Front Washing Button	<ol style="list-style-type: none"> When seated, short press Front Washing Button to start front washing function; Front washing → Drying → Stop drying automatically. When front washing function is on, long press Front Washing Button to start oscillating washing function. Long press again to turn off oscillating washing function. During washing, short press Front Washing Button, the nozzle will move forward slightly. 	
 Stop Button	<ol style="list-style-type: none"> Long press Stop Button to enter standby mode, press Stop Button again to return to functional mode. In standby mode, all functions and buttons (with the exception of the Stop Button) will not operate. When seated, short press Stop Button to stop front washing, rear washing or drying functions; When no one is seated, repeatedly press Stop Button, the main unit will switch between functional mode and energy saving mode. 	

Technical Specification

Main Unit	Rated voltage	220-240V, 50-60Hz	230V, 50Hz
	Rated power	1070-1140W	1080W
	Water pressure range	0.08MPa - 0.8MPa (Static pressure)	
	Power cord length	About 1.2m	
Cleaning device	Heating power	1600W (230V)	
	Water temperature	6-level adjustment	
	Water volume	5-level adjustment	
	Cleaning mode	Rear washing/Oscillating washing, Front washing/Oscillating washing, Strong and soft washing (if applicable), Warm and cold water washing (if applicable)	
	Nozzle position	5-level adjustment	
	Water pressure protector	Pressure maintaining device, Automatic pressure relief device	
	Anti-fouling device	Anti-syphon device, Anti-backflow device, Filter device	
Drying device (If Applicable)	Warm air volume	Over 0.2m ³ /min	
	Warm air temperature	6-level adjustment	
	Heating power	200W	
	Safety device	Over-heating protection, Thermal fuse	
Deodorization	Deodorization method	Photocatalyst-free	
Heated seat	Surface temperature	6-level adjustment	
	Heating power	50W	
	Open and close device	Soft close	
	Burn protection	After 10 minutes of use, the seat temperature will automatically drop slowly to a low level	
	Safety device	Seat sensor, Temperature sensor, Bimetallic thermostat, Thermal fuse	
Caring device	Night light assembly	Smart, Always on, Always off	
	Noise-free setting	The buzzer is off at night for a quiet environment.	
	User ID setting	To avoid interference when used by multiple users	
Sterilization device (If Applicable)		Plasma sterilization device	
Antibacterial site		Seat, Nozzle	

Packing List

<p>The remote control assembly</p>	<p>1. Remote control</p>	 <p>Remote control</p> <p>Expansion screw</p>
<p>Base plate assembly</p>	<p>2. Expansion screw</p> <p>1. Base plate</p> <p>2. Screws (2)</p>	 <p>Screws</p> <p>Fixing brackets</p> <p>Base plate</p> <p>Expansion nuts</p>
<p>The filter assembly</p>	<p>T valve</p>	 <p>T valve</p>
<p>Manual, Mounting cardboard</p>	<p>1. Manual</p>	 <p>Manual</p> <p>Mounting cardboard</p>
<p>Main unit</p>		

Product Dimension and Installation Tool

<p>* Note: Please make sure this seat fits your current toilet.</p>	<p>Phillips screwdriver Wrench</p> <p>Tape measure Cup</p>
---	--

Installation of Main Unit

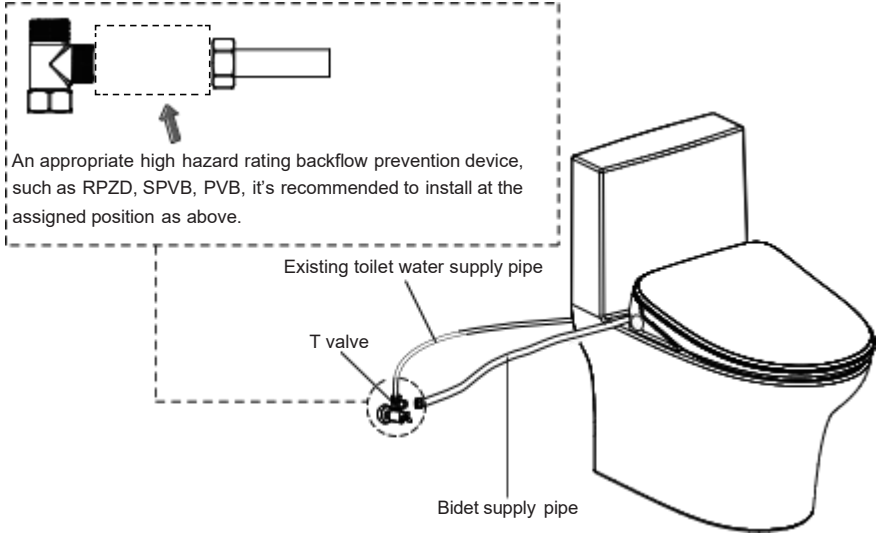
- * Note: The installation of this product shall comply with the requirements of PCA.
- * This product has been tested for water flow before shipping. Please note that some residual water on the product is normal.
- * Do not install this product in a wet place such as a bathroom, and do not place it in a place easily exposed to water.

<p>1 Installation of base plate</p> <p>Install the expansion nuts into the toilet mounting holes first, and then securely install the base plate, fixing brackets and screws in sequence as shown.</p>	<p>2 Installation and disassembly of main unit</p> <p>Installation of Main Unit: Push the main unit into the base plate until it locks with a "click" sound. Disassembly of Main Unit: Press the "Release button", and pullout the main unit when a "click" sound is heard.</p> <p>* Once the Release Button is pressed, you do not have to hold it during the disassembly process.</p>
---	---

3**Installation of water inlet pipe and T valve**

Connect T valve to angle valve, then install high hazard rating backflow prevention device(not included), and connect bidet supply pipe, and connect toilet water supply pipe, as shown in the figure below.

WARNING: A high hazard rating backflow prevention device is required. It must be installed upstream of the toilet douche seat.

**Note:**

Be careful not to bend or damage the pipe, otherwise water may leak.

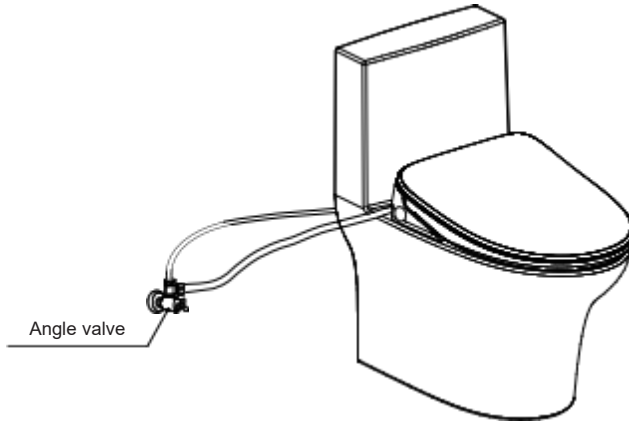
Do not use non-company parts, otherwise danger may occur.

Do not reuse any existing water supply pipes, otherwise danger may occur.

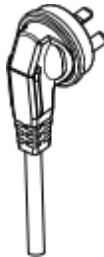
Preparation

1. Turn on the angle valve

- Check the threaded connection for leaks to ensure complete sealing. Turn the angle valve counterclockwise to the full open position.
(Note: The angle valve opens with a large torque for the first time.)



2. The power cord is without leakage protection.



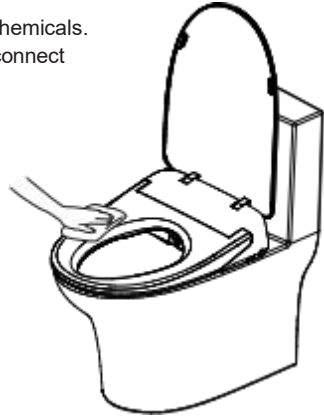
3. Self-inspection

1. Once power is connected, the buzzer beeps once. The white light on knob (button) flashes, and the self-inspection starts.
2. The buzzer beeps again, then the self-inspection completes, and the knob (button) lights up in white.
3. The product is ready to use.

Maintenance

Maintenance of Main Unit

1. Shut off power supply before doing maintenance.
2. Use only a soft,damp cloth to clean. Avoid using harsh chemicals.
3. Once cleaning is completed and all surfaces are dry, re-connect the power plug.



Note: Do not rinse the surface of the product directly with water during maintenance.

Nozzle Maintenance

When there is dirt on the nozzle, maintain it according to the following methods:

1. When no one is seated, turn the knob clockwise (press Rear Washing Button). The nozzle will automatically stretch out to allow access for cleaning.
2. Nozzle can be removed and cleaned separately. (Hold the spray wand with one hand and pull the nozzle out with the other hand)
3. Put the nozzle back on and press the “Stop” button on the main unit or remote control to return the spray wand to its normal position.

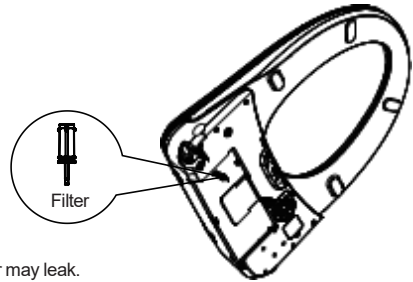


Note: Do not pull or push the wand, to avoid damage.

Filter Cleaning for Pressure-maintaining Valve

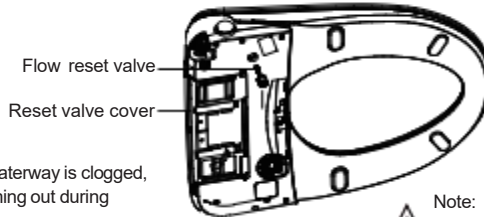
(Only for the product with pressure-maintaining valve with filter.)

1. Turnoff the angle valve.
2. Unplug and shut off the electricity.
3. Disassemble the cover and unscrew the filter connector with a screwdriver.
4. Take out the filter assembly with needle nose pliers.
5. Clean out the filter under running water using a toothbrush.
6. Reinstall the filter and tighten it with a screwdriver.



Note: Be careful not to damage the sealing ring, otherwise water may leak.

Self-cleaning Waterway Maintenance



When the self-cleaning waterway is clogged, or if there is no water coming out during self-cleaning process:

1. Turnoff the angle valve.
2. Unplug and shut off the electricity.
3. Remove the seat, press the flow reset valve in the middle with a flat-blade screwdriver, then reinstall the seat, and turn on the water supply.
4. If there is still no water coming out after pressing the flow reset valve, use a flat-blade screwdriver to unscrew the reset valve cover, remove the flow reset valve, and clean it with a toothbrush or small brush. After cleaning, put the components back, then reinstall the seat, and turn on the water supply.



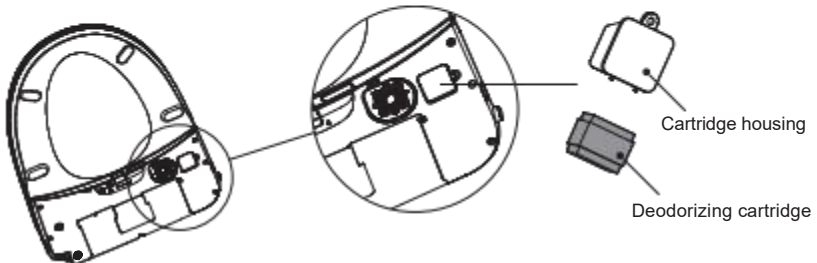
Note:
Cut off power prior to discharging the water.

Deodorizing Device Maintenance

Remove the screws from the underside of unit as shown below to access the deodorizing cartridge.

※ Replacement of the deodorizing cartridge is recommended every 3 years (the specific life span depends on the environment).

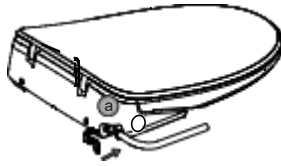
※ Please purchase deodorizing cartridge from the official online stores.



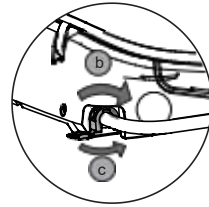
Disassembly and Installation of Clamp



Disassembly: Open the clamp cover, rotate it counterclockwise, and use a flat-blade screwdriver to pry the clamp out of the slot.




Installation: Push the inlet tubing into the quick-connect fitting on the unit. Secure with provided clamp.



- b. Rotate the clamp until the opening faces down.
- c. Close the clamp cover

Troubleshooting Guide

Problem	Cause	Solution
No water from nozzle	Water supply hose is kinked	Straighten the hose to remove the kink
	Angle valve is off	Turn on the angle valve
	A water failure occurred	Restore the water supply
Poor water spraying	Water supply hose is kinked	Straighten the hose to remove the kink
	Angle valve is not fully turned on	Turn on the angle valve fully
	Filter is clogged	Clean the filter
Low water temperature	The water temperature is not set properly	Adjust the water temperature
Low seat temperature	The seat temperature is not set properly	Adjust the seat temperature
	In standby mode	Switch to functional mode and wait for 3+ minutes
Low dryer temperature	The dryer temperature is not set properly	Adjust the dryer temperature
Dryer not blowing	In standby mode	Switch to functional mode to use dry function.
Spray wand cannot retract	Power off	Push back the spray wand gently and put power on
	Get stuck by impurities	Remove the impurities
Spray wand cannot stretch out	Power off	Turn on the power
	User is not within the sensing area of the seat	Adjust position on seat to activate the sensor
Remote control cannot display	The positive and negative direction of the batteries is incorrect	Reload the batteries
Malfunction of deodorization	User is not within the sensing area of the seat	Adjust position on seat to activate the sensor
	Deodorization function continues after user leaves	It is normal for the deodorizing function to continue operating after user leaves, for complete odor removal.
 Caution	If the problem cannot be resolved as per above solutions, please disconnect the power and contact service providers.	
	If the power leakage protection switch always trips, it means that the product is leaking. Please disconnect the power and contact service providers.	

Note: it is normal that a new machine or a machine unused for a long time may produce a little smell when using the drying function.

Product warranty card

Model No.		Customer Name	
Seller		Purchasing Date	
Invoice No.		Customer Contact	
Distributor Stamp		Distributor Phone	

Thank you for choosing our product. This product is warranted for three (3) years since the purchasing date for free repair of problems arising out of defects in workmanship while using in accordance with installation manual and usage cations for intended purposes.

If the product does nat work properly with warranty period, please contact your nearest service center. This certificate must be presented to obtain free service under this warranty.

Our company reserves the rights to replace the product by other similar models. We can serve to fix or repair the product at a reasonable service charge, after expiration of warranty period.

Service charges shall be paid even during the warranty period, if breakage or damage is caused by any of the following events (including but without limitation).

1. The user's negligence or mistake in operation, unreasonable repair or alteration.
2. Product are damaged by negligence or mistake during installation.
3. The movement of installation location of the product.
4. Using the product outside of intended use in residential housing or commerical hotels.
5. The use of non specified power supply (voltage, rating pressure)
6. The dirt, sand and impurities that causing invalid operation.
7. Damages due to force majeure (including but not limitation to natural disaster) or other incidents.
8. The user fails to use in compliance with the warning or caution described in the installation manual.

Remark:

Please fill in date, seller correctly. If there are some mistakes, the warranty will get invalid. This three year warranty for free of charge of repair service is only for the items listed in the warranty.

The purchasing date is subject to the purchasing invoice or receipt.

Please keep this warranty and invoice/receipt available for repair or maintenance.



JOMOO KITCHEN & BATH CO., LTD.

Email: jomoo@jomoogroup.com

Http://www.jomoogroup.com

The picture of product may not be entirely consistent with actual appearance and color because of product improvements, please in kind prevail.